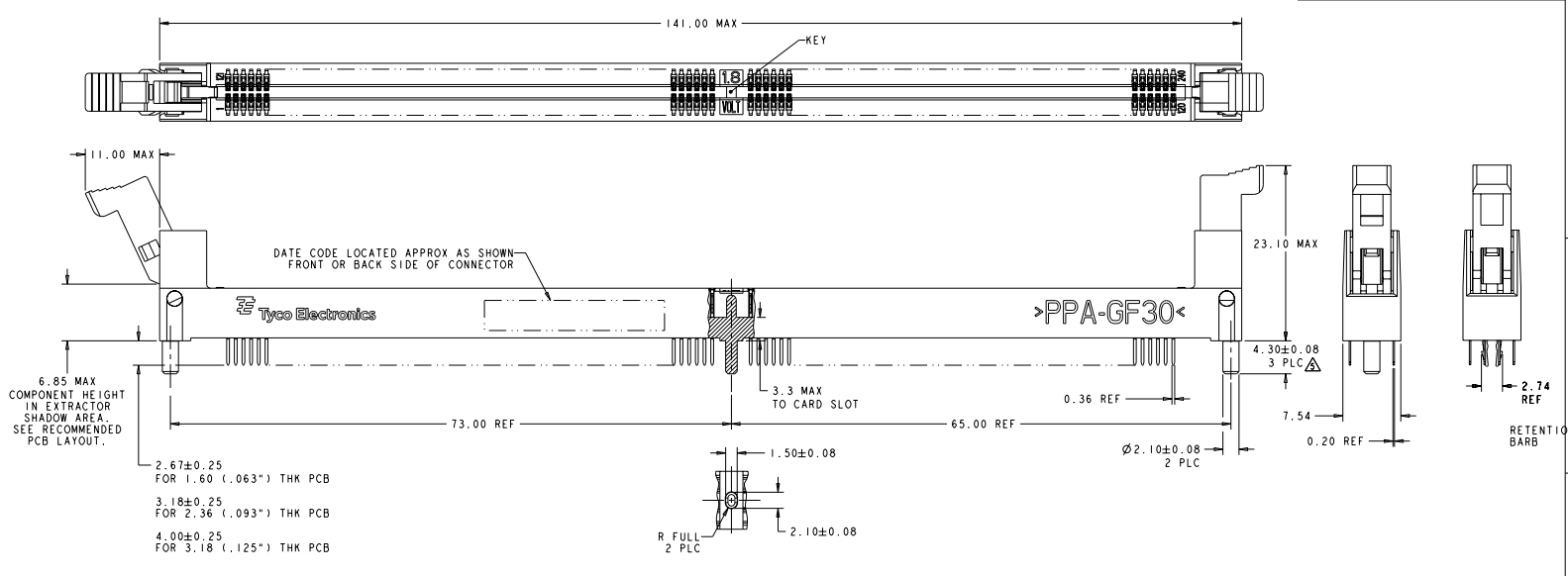
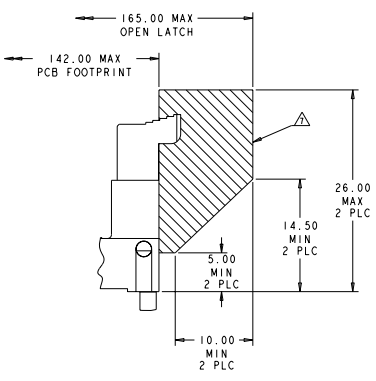


REV	DATE	DESCRIPTION	BY	CHK	APP
A		RELEASE PER ECO-05-009487	INDRONG	DC	MY
A1		REV PER ECO-05-012912	INDRONG	DC	MY
B2		ECO-10-013906	INDRONG	DC	MY

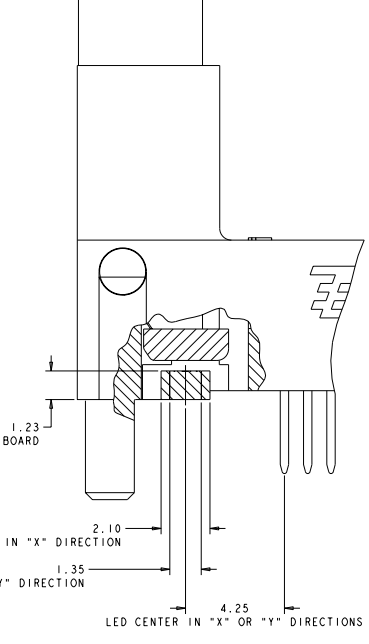
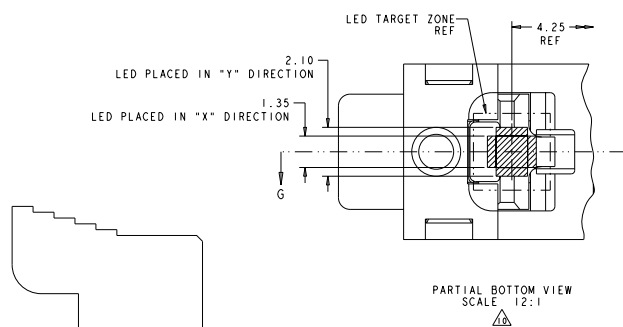


- △ MATERIALS:**
 HOUSING: HIGH TEMPERATURE NYLON, BLACK, UL94 V-0
 EXTRACTOR: HIGH TEMPERATURE THERMOPLASTIC
 CONTACTS: COPPER ALLOY
 RETENTION BARB: STAINLESS STEEL
- △ INTERFACE FINISH:**
 (1) 0.00076 MIN THK GOLD OVER 0.00127 MIN THK NICKEL
 (2) 0.00038 MIN THK GOLD OVER 0.00127 MIN THK NICKEL
 (3) 0.00008 MIN THK GOLD OVER 0.00127 MIN THK NICKEL
- △ RIGHT HOLE IS GLOBAL D-E ORIGIN FOR ALL POSITIONAL TOLERANCES. LEFT AND RIGHT NON-PLATED THRU HOLES ESTABLISH -E-.**
- △ FINISHED HOLE SIZE. 0.15 MAXIMUM ANULAR RING.**
- △ RETENTION BARB MAY BE SPECIFIED IN PLACE OF PEGS (3 PLC). DIMENSION INDICATED WOULD THEN BE 4.00 MAX.**
- △ KEEP OUT ZONE.**
- △ KEEP OUT AREA RESERVED FOR SOCKET EXTRACTORS, BOTH ENDS.**
- △ SOLDER TAIL FINISH: 0.00300 MIN THK BRIGHT TIN-LEAD OVER 0.00127 MIN. THK NICKEL.**
- △ SOLDER TAIL FINISH: 0.00300 MIN THK MATTE TIN OVER 0.00127 MIN. THK NICKEL.**
- △ LED LOCATION AS APPLICABLE PER CUSTOMER.**
- △ QUALIFY TO TYCO DESIGN OBJECTIVES 108-2111-1.**
- △ QUALIFY TO TYCO DESIGN OBJECTIVES 108-2111-2.**
- △ DATUM [-F-] IS CONNECTOR SIDE SURFACE OF PCB.**



DATE: 24 JAN 2002 DRAWN BY: M. CORRELL CHECKED BY: M. CORRELL DATE: 29 JUN 2003 TITLE: SOCKET ASSEMBLY, DDR II SOLDER TAIL, 240 POSITION STATE: CA SCALE: 1:1 DRAWING NO: 00778 ©: 1489841 PART NUMBER: 108-2111-2 SHEET: 1 OF 3 FILE: PCB2	Tyco Electronics Harrisburg, PA 17105-3600
------------------------------------------------------------------------------------------------------------------------------------------------------------------------------------------------------------------------------------------------------------------------------	-----------------------------------------------

REV	DATE	DESCRIPTION	BY	CHK	APP
00		SEE SHEET 1			

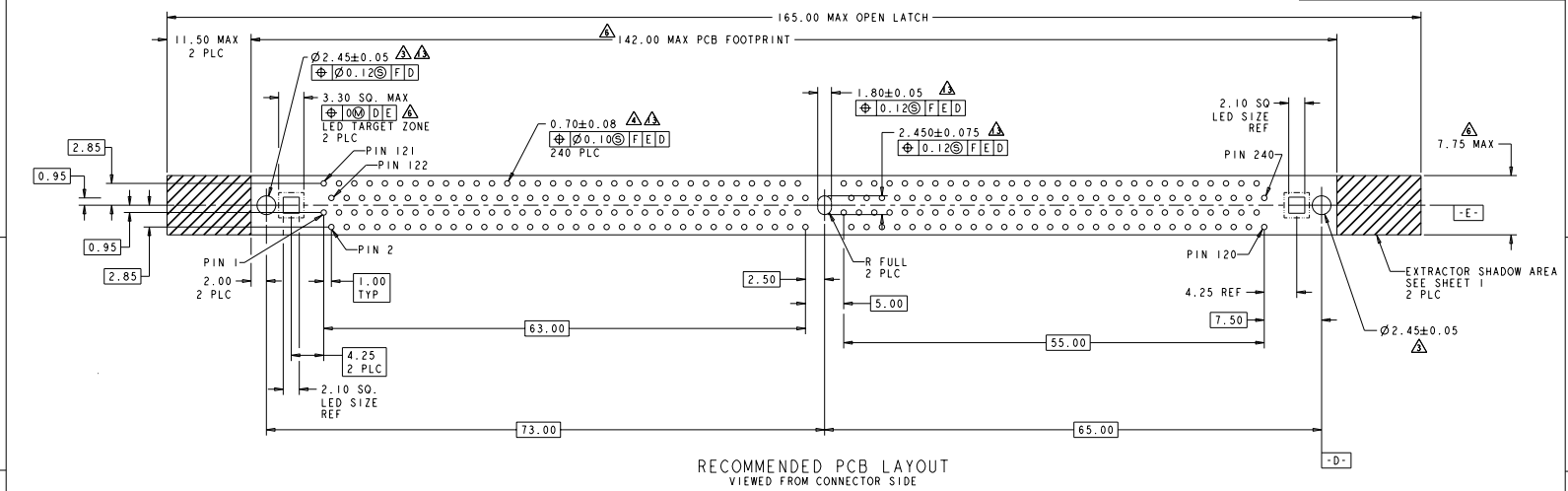


	BLACK	▲	0.00038 MIN	3.18	RETENTION BARB	3-1489841-9	▲
	BLACK	▲	0.00038 MIN	2.67	RETENTION BARB	3-1489841-8	▲
	BLACK	▲	0.00038 MIN	2.67	RETENTION BARB	3-1489841-7	▲
SUPERCEDED BY 3-1489841-3	NATURAL	▲	0.00000 MIN	4.00	RETENTION BARB	3-1489841-6	▲
SUPERCEDED BY 3-1489841-2	NATURAL	▲	0.00000 MIN	3.18	RETENTION BARB	3-1489841-5	▲
SUPERCEDED BY 3-1489841-1	NATURAL	▲	0.00008 MIN	2.67	RETENTION BARB	3-1489841-4	▲
	NATURAL	▲	0.00038 MIN	4.00	RETENTION BARB	3-1489841-3	▲
	NATURAL	▲	0.00038 MIN	3.18	RETENTION BARB	3-1489841-2	▲
	NATURAL	▲	0.00038 MIN	2.67	RETENTION BARB	3-1489841-1	▲
	NATURAL	▲	0.00076 MIN	4.00	RETENTION BARB	3-1489841-0	▲
	NATURAL	▲	0.00076 MIN	3.18	RETENTION BARB	2-1489841-9	▲
	NATURAL	▲	0.00076 MIN	2.67	RETENTION BARB	2-1489841-8	▲
SUPERCEDED BY 2-1489841-4	NATURAL	▲	0.00008 MIN	4.00	PLASTIC POST	2-1489841-7	▲
SUPERCEDED BY 2-1489841-3	NATURAL	▲	0.00008 MIN	3.18	PLASTIC POST	2-1489841-6	▲
SUPERCEDED BY 2-1489841-2	NATURAL	▲	0.00008 MIN	2.67	PLASTIC POST	2-1489841-5	▲
	NATURAL	▲	0.00038 MIN	4.00	PLASTIC POST	2-1489841-4	▲
	NATURAL	▲	0.00038 MIN	3.18	PLASTIC POST	2-1489841-3	▲
	NATURAL	▲	0.00038 MIN	2.67	PLASTIC POST	2-1489841-2	▲
	NATURAL	▲	0.00076 MIN	4.00	PLASTIC POST	2-1489841-1	▲
	NATURAL	▲	0.00076 MIN	3.18	PLASTIC POST	2-1489841-0	▲
	NATURAL	▲	0.00076 MIN	2.67	PLASTIC POST	1-1489841-9	▲
SUPERCEDED BY 3-1489841-3	NATURAL	▲	0.00008 MIN	4.00	RETENTION BARB	1-1489841-8	▲
SUPERCEDED BY 3-1489841-2	NATURAL	▲	0.00000 MIN	3.18	RETENTION BARB	1-1489841-7	▲
SUPERCEDED BY 3-1489841-1	NATURAL	▲	0.00008 MIN	2.67	RETENTION BARB	1-1489841-6	▲
SUPERCEDED BY 3-1489841-3	NATURAL	▲	0.00038 MIN	4.00	RETENTION BARB	1-1489841-5	▲
	NATURAL	▲	0.00038 MIN	3.18	RETENTION BARB	1-1489841-4	▲
	NATURAL	▲	0.00038 MIN	2.67	RETENTION BARB	1-1489841-3	▲
SUPERCEDED BY 3-1489841-0	NATURAL	▲	0.00076 MIN	4.00	RETENTION BARB	1-1489841-2	▲
	NATURAL	▲	0.00076 MIN	3.18	RETENTION BARB	1-1489841-1	▲
SUPERCEDED BY 2-1489841-8	NATURAL	▲	0.00076 MIN	2.67	RETENTION BARB	1-1489841-0	▲
SUPERCEDED BY 2-1489841-4	NATURAL	▲	0.00008 MIN	4.00	PLASTIC POST	1489841-9	▲
SUPERCEDED BY 2-1489841-3	NATURAL	▲	0.00008 MIN	3.18	PLASTIC POST	1489841-8	▲
SUPERCEDED BY 2-1489841-2	NATURAL	▲	0.00008 MIN	2.67	PLASTIC POST	1489841-7	▲
SUPERCEDED BY 2-1489841-4	NATURAL	▲	0.00030 MIN	4.00	PLASTIC POST	1489841-6	▲
SUPERCEDED BY 2-1489841-3	NATURAL	▲	0.00038 MIN	3.18	PLASTIC POST	1489841-5	▲
SUPERCEDED BY 2-1489841-2	NATURAL	▲	0.00038 MIN	2.67	PLASTIC POST	1489841-4	▲
SUPERCEDED BY 2-1489841-1	NATURAL	▲	0.00076 MIN	4.00	PLASTIC POST	1489841-3	▲
SUPERCEDED BY 2-1489841-0	NATURAL	▲	0.00076 MIN	3.18	PLASTIC POST	1489841-2	▲
SUPERCEDED BY 1-1489841-9	NATURAL	▲	0.00076 MIN	2.67	PLASTIC POST	1489841-1	▲

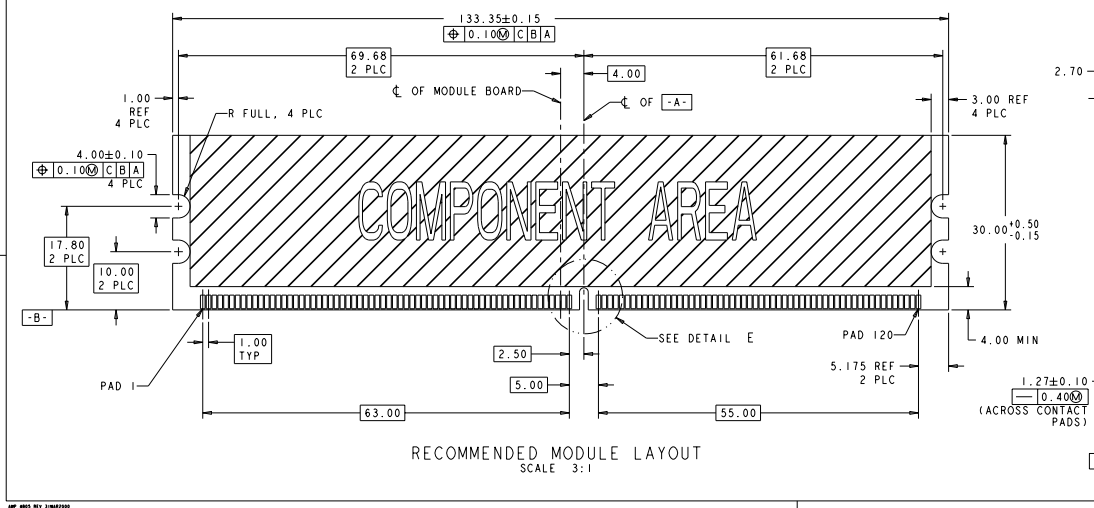
EXTRACTOR COLOR	SOLDER TAIL	CONTACT GOLD INTERFACE	TAIL LENGTH	HOUSING STYLE	PART NUMBER

DATE: 27JAN2002
 BY: CORRELL
 CHECKED: 27JUN2003
 TITLE: SOCKET ASSEMBLY, DDR II SOLDER TAIL, 240 POSITION
 STATE: CAE CODE (DRAWING NO): 00778 (C)-1489841
 CUSTOMER DRAWING: YES
 SHEET: 2 OF 3

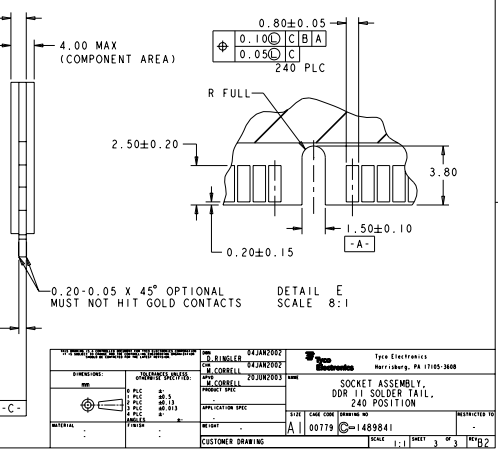
REV	DATE	DESCRIPTION	BY	CHK
00		SEE SHEET 1		



RECOMMENDED PCB LAYOUT
VIEWED FROM CONNECTOR SIDE



RECOMMENDED MODULE LAYOUT
SCALE 3:1



DATE: 06/20/2018 BY: PCB ELECTRONICS CORPORATION ALL RIGHTS RESERVED	DATE: 24JAN2002 BY: CORRELL 29JUN2003	DATE: 24JAN2002 BY: CORRELL 29JUN2003	Title Electronics Harrisburg, PA 17105-3600
SHEET NO: 3 OF 3	APPLICATION SPEC:	STATE: PA COUNTY: YORK ZIP: 17105-3600	SOCKET ASSEMBLY, DDR II SOLDER TAIL, 240 POSITION
CUSTOMER DRAWING	PART NO: 00778 REV: 1	QUANTITY: 1489841	DRAWN BY: JCB CHECKED BY: JCB