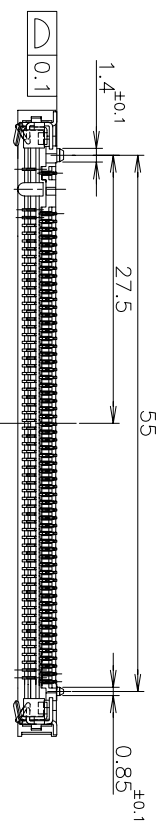
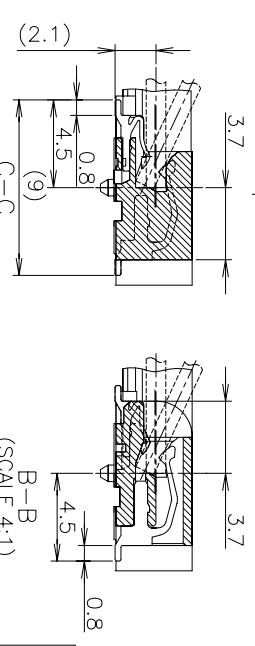
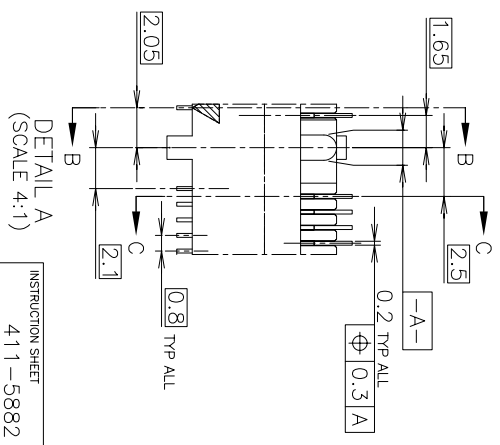
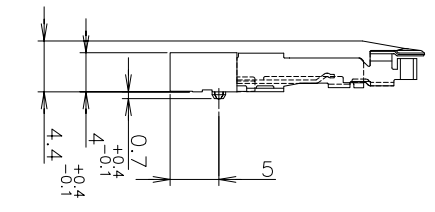
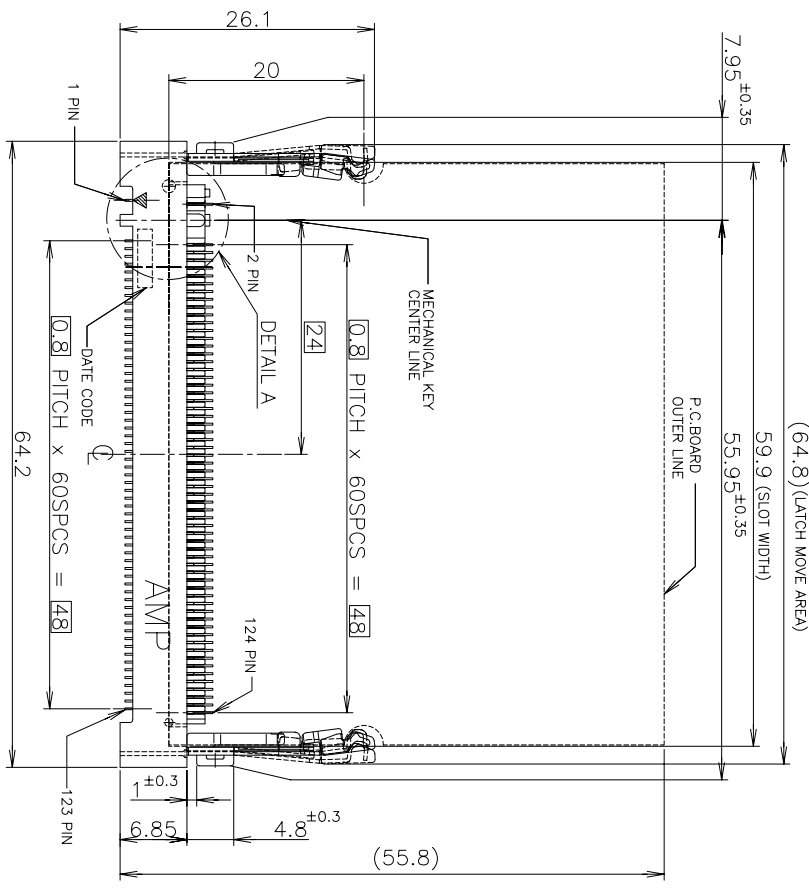


REV. NO.	DESCRIPTION	DATE	DWY	APD
1				
2				
3				
4				
5				



- 1 MATERIAL: HOUSING: HIGH TEMPERATURE THERMO PLASTIC UL94V-0
COLOR: BLACK
CONTACT: COPPER ALLOY,
LOCK LEVER: SUS TIN-LEAD PLATING.
- 2 FINISH: CONTACT AREA: GOLD FLASH ON
0.0013 MIN ALL OVER NICKEL.
SOLDERING AREA: GOLD FLASH PLT.
- 3 TOLERANCES NON-CUMMURATIVE.

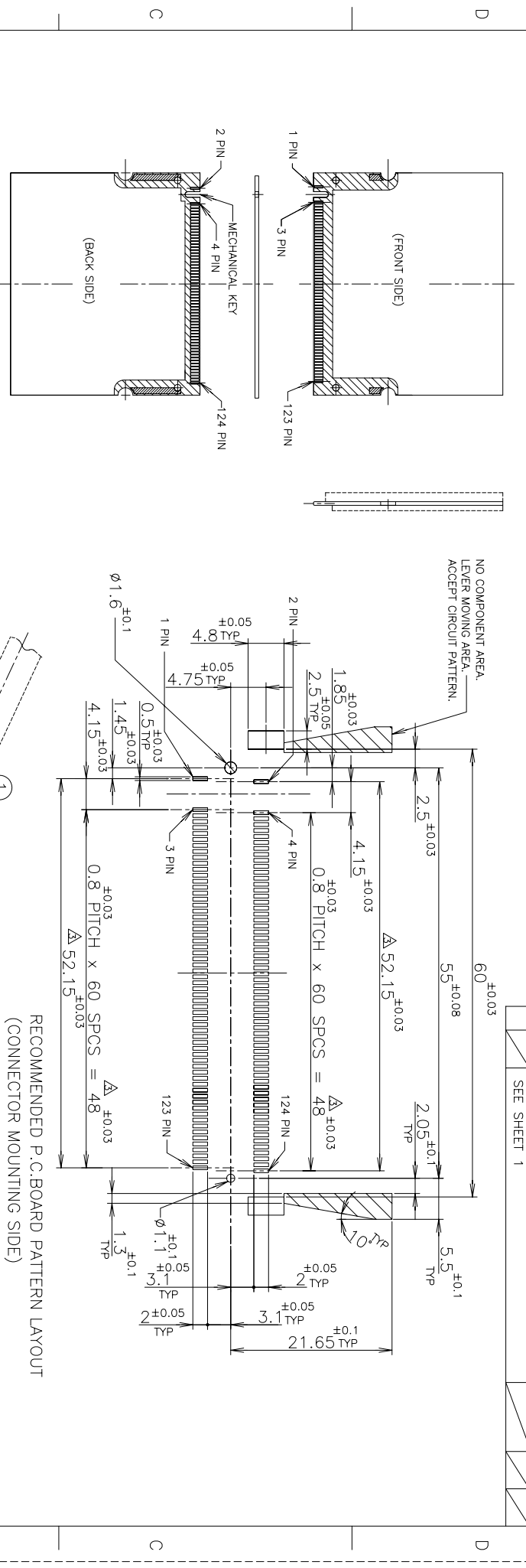


GENERAL TOLERANCE
10 ≥ : ±0.2
30 ≥ > 10: ±0.25
100 ≥ > 30: ±0.3
ANGLES : ±3°

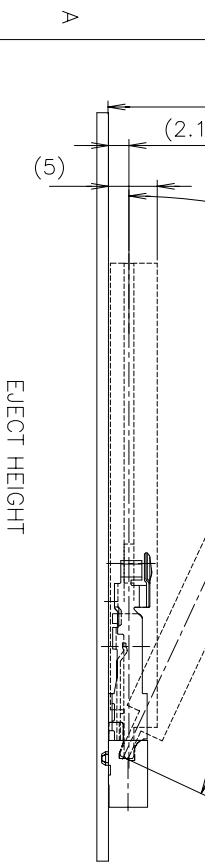
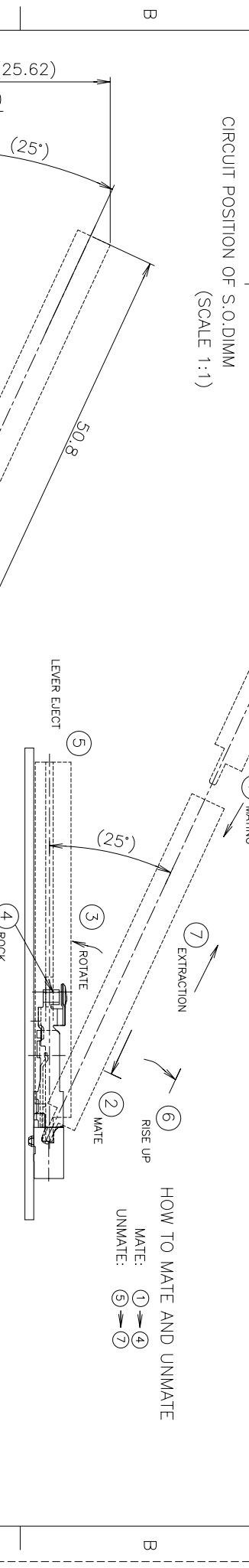
THIS DRAWING IS A CONTROLLED DOCUMENT.	
DIMENSIONS: MM	TOLERANCES UNLESS OTHERWISE SPECIFIED
0 P.L.C.	±
1 P.L.C.	±
2 P.L.C.	±
4 P.L.C.	±
ANGLES	±

DWY	05N0V98	05N0V98	05N0V98
CHK	K.KOBAYASHI	T.YAMAMOTO	T.YAMAMOTO
APD	108-5627	108-5627	108-5627
PRODUCT SPEC			
APPLICATION SPEC			
WEIGHT			
CUSTOMER DRAWING			
SIZE	A3	CAGE CODE	00779
DRAWING NO	1318228	SCALE	2:1
SHEET	1	OF	5
REV	D	RESTRICTED TO	

INSTRUCTION SHEET
411-5882
1318228-1
P/N



RECOMMENDED P.C. BOARD PATTERN LAYOUT
 (CONNECTOR MOUNTING SIDE)



THIS DRAWING IS A CONTROLLED DOCUMENT.

DIMENSIONS:	MM
0 P.L.C	±
1 P.L.C	±
2 P.L.C	±
3 P.L.C	±
4 P.L.C	±
ANGLES	±
FINISH	±

TOLERANCES UNLESS OTHERWISE SPECIFIED:	OTHERWISE SPECIFIED:
--	----------------------

AP/D	CHK	DWG

PRODUCT SPEC	NAME

APPLICATION SPEC	SIZE

0.8MM PITCH
 FAX MODEM SOCKET
 124 POSITIONS

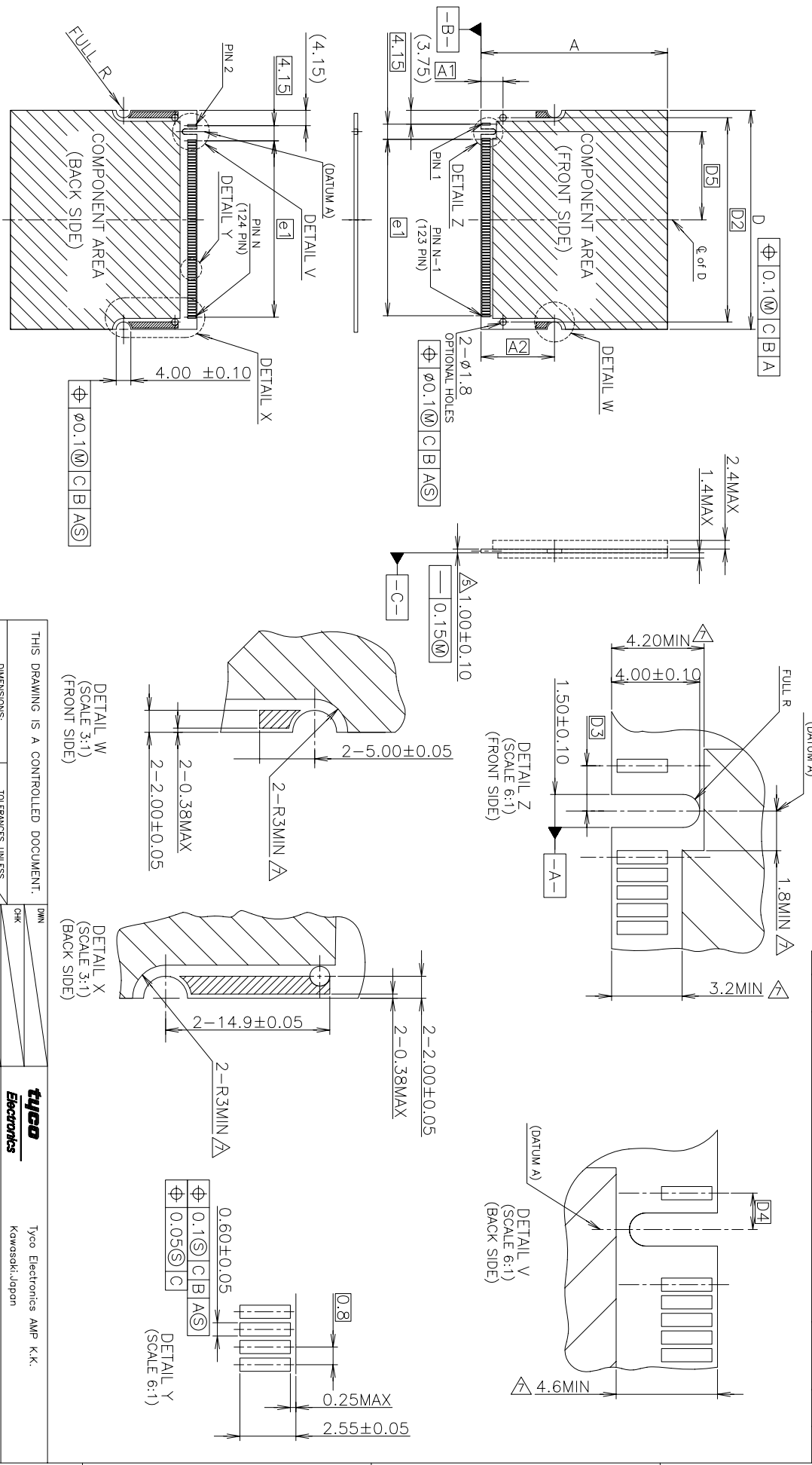
TYCO ELECTRONICS
 KAWASAKI, JAPAN

TYCO ELECTRONICS AMP K.K.

CAGE CODE
 DRAWING NO

A3 00779 C-1318228

RESTRICTED TO



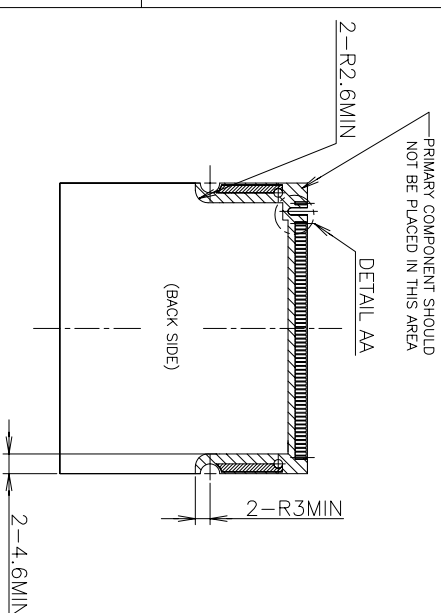
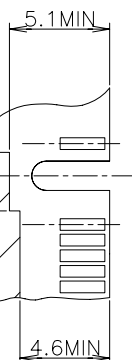
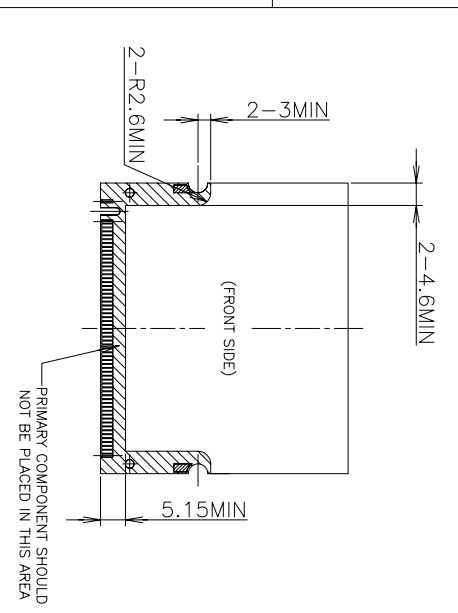
THIS DRAWING IS A CONTROLLED DOCUMENT.

DIMENSIONS:		TOLERANCES UNLESS OTHERWISE SPECIFIED	
MM		0 PL/C	\pm
		1 PL/C	\pm
		2 PL/C	\pm
		3 PL/C	\pm
		4 PL/C	\pm
		ANGLES	\pm
		FINISH	\pm

DMN	DMN	DMN	DMN
CHK	CHK	CHK	CHK
APVD	APVD	APVD	APVD
PRODUCT SPEC	PRODUCT SPEC	PRODUCT SPEC	PRODUCT SPEC
APPLICATION SPEC	APPLICATION SPEC	APPLICATION SPEC	APPLICATION SPEC
WEIGHT	WEIGHT	WEIGHT	WEIGHT
CUSTOMER DRAWING	CUSTOMER DRAWING	CUSTOMER DRAWING	CUSTOMER DRAWING
NAME	tyco Electronics	NAME	tyco Electronics AMP K.K. Kawasaki, Japan
SIZE	A3	SIZE	0.8MM PITCH FAX MODEM SOCKET 124 POSITIONS
CAGE CODE	A300779	CAGE CODE	A300779
DRAWING NO	G=1318228	DRAWING NO	G=1318228
RESTRICTED TO		RESTRICTED TO	
SCALE	1:1	SCALE	1:1
SHEET	3	SHEET	3
REV	5	REV	5
	D		D

LOC	DIST	REV	DESCRIPTION	DATE	DWN	APVD
J		P	SEE SHEET 1			

- 4 TOLERANCES ON ALL DIMENSIONS ±0.15 UNLESS OTHERWISE SPECIFIED.
 5 CARD THICKNESS APPLIES ACROSS TABS AND INCLUDES PLATING AND/OR METALIZATION.
 6 APPLICATION NOTE:
 GOLD CONTACT PAD : ELECTROLESS GOLD PLATING 0.00005 MIN. OVER ELECTROLESS Ni PLATING 0.002 MIN.
 7 BORDER OF COMPONENT AREA.



SYMBOL	VARIATIONS ALL DIMENSIONS IN mm				
	MIN	NOM	MAX	MIN	MAX
A	44.3	44.45	44.60	50.65	50.80
A1	6.00	BSC	6.00	BSC	
A2	20.00	BSC	20.00	BSC	
D	59.45	59.6	59.75	59.45	59.75
D1	1.30	BSC	1.30	BSC	
D2	55.60	BSC	55.60	BSC	
D3	2.05	BSC	2.05	BSC	
D4	1.65	BSC	1.65	BSC	
D5	24.00	BSC	24.00	BSC	
e1	48.00	BSC	48.00	BSC	
N		124		124	

THIS DRAWING IS A CONTROLLED DOCUMENT.

DIMENSIONS: MM	TOLERANCES UNLESS OTHERWISE SPECIFIED:	0 PLG ±	1 PLG ±	2 PLG ±	3 PLG ±	4 PLG ±
FINISH		ANGLES				

DMN: *tyco* Electronics
 Tyco Electronics AMP K.K.
 Kawasaki, Japan

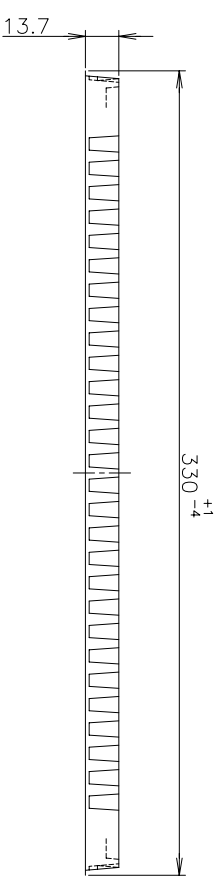
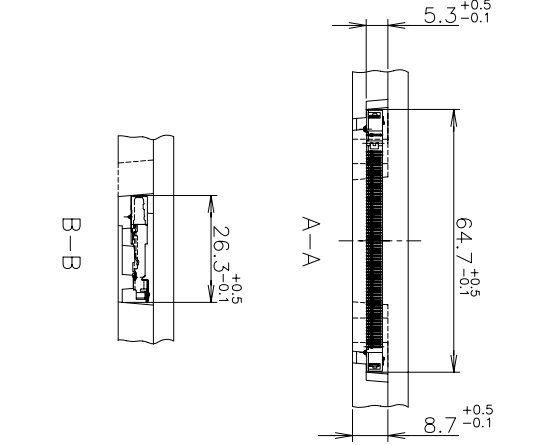
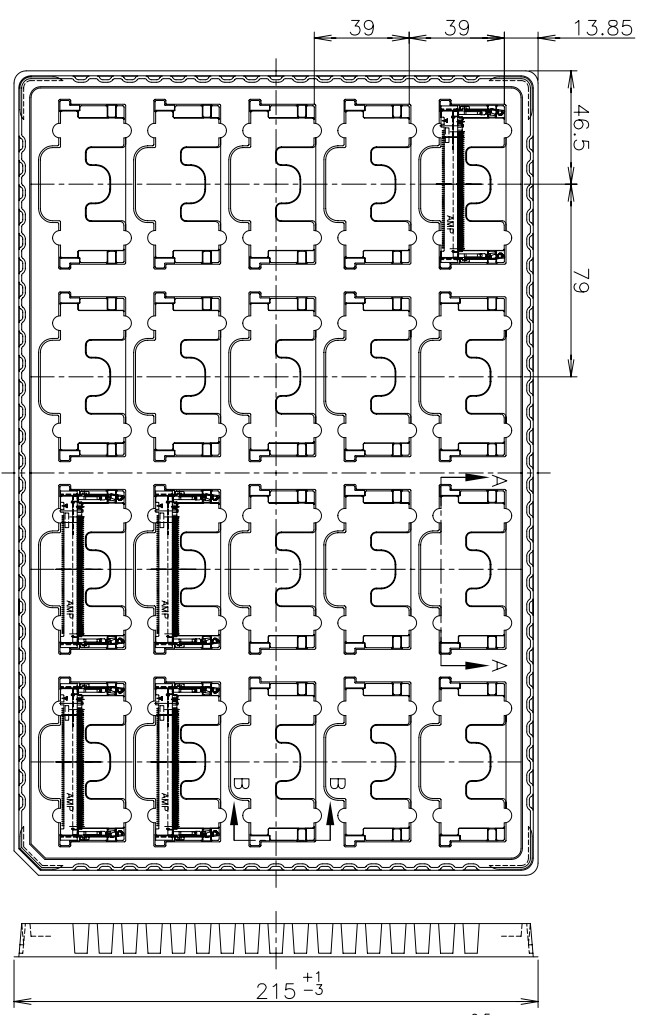
APVD: 0.8MM PITCH
 FAX MODEM SOCKET
 124POSITIONS

SIZE: A3
 CAGE CODE: 00779
 DRAWING NO: G=1318228

SCALE: 1:1 SHEET: 4 OF 5 REV: D

THIS DRAWING IS UNPUBLISHED.
 © COPYRIGHT 1998 BY TYCO ELECTRONICS CORPORATION. ALL RIGHTS RESERVED.
 RELEASED FOR PUBLICATION - 1998.

LOC	DIST	REV	DESCRIPTION	DATE	DWN	APVD
J	-	P	SEE SHEET 1	-	-	-



8. THE DIRECTION OF EACH CONNECTOR ON A TRAY IS REFERRED TO THIS DWG.
9. REFERENCE TO PACKING SPEC 107-5195-1
10. GENERAL TOLERANCES ±0.5

THIS DRAWING IS A CONTROLLED DOCUMENT.		DWN		TYCO ELECTRONICS AMP K.K.	
DIMENSIONS: MM		CHK		KAWASAKI, JAPAN	
TOLERANCES UNLESS OTHERWISE SPECIFIED:		APVD		NAME	
0 P/LC	±	PRODUCT SPEC		TYCO ELECTRONICS	
1 P/LC	±	APPLICATION SPEC		0.8MM PITCH	
2 P/LC	±	WEIGHT		FAX MODEM SOCKET	
4 P/LC	±	CUSTOMER DRAWING		124POSITIONS	
FINISH ANGLES		SCALE		DRAWING NO	
		1:2		A3 00779	
		SHEET		G=1318228	
		5 OF 5		RESTRICTED TO	
		REV		D	

Z0EA/TRAY 1318228-1
 QTY P/N