

LEAD FREE

GENERAL TOLERANCE

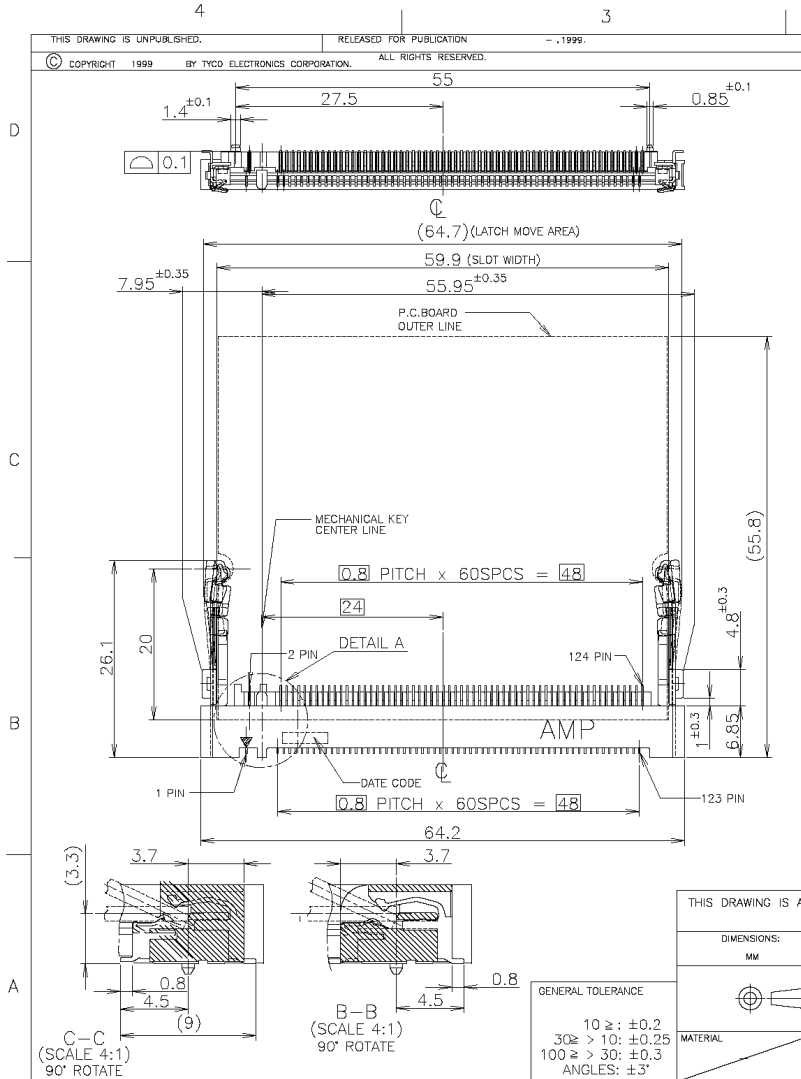
10 ≥ : ±0.2
 30 ≥ > 10: ±0.25
 100 ≥ > 30: ±0.3
 ANGLES: ±3°

THIS DRAWING IS A CONTROLLED DOCUMENT.

DIMENSIONS: MM	TOLERANCES UNLESS OTHERWISE SPECIFIED:	DWN: Julyee Zhu 25AUG2004	180	1485678-5	6674161-1
0 PLC ±	1 PLC ±	CHK: Steven Yao 25AUG2004	QTY	EMBOSS P/N	P/N
2 PLC ±	3 PLC ±	APVD: Ikuo Enomoto 25AUG2004			
4 PLC ±	ANGLES ±	NAME: tyco Electronics			
MATERIAL	FINISH	Tyco Electronics AMP K.K. Kawasaki, Japan			
		EMBOSS ASSY FAXMODEM SOCKET 124POS. 5.2mm HEIGHT			
		PRODUCT SPEC: 108-60039	SIZE: A3	CAGE CODE: 00779	DRAWING NO: C=6674161
		APPLICATION SPEC	WEIGHT	CUSTOMER DRAWING	RESTRICTED 30
			SCALE: 1:1	SHEET: 1 OF 5	REV: 0

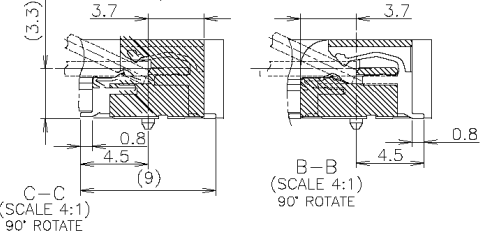
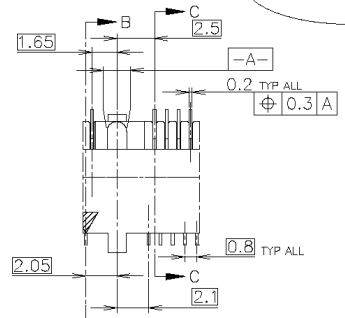
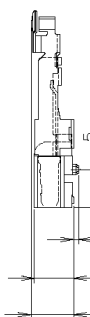
THIS DRAWING IS UNPUBLISHED. RELEASED FOR PUBLICATION - .1999.
 © COPYRIGHT 1999 BY TYCO ELECTRONICS CORPORATION. ALL RIGHTS RESERVED.

LOC		DIST		REVISIONS			
P	LTR	DESCRIPTION	DATE	DWN	APVD		
-	-	SEE SHEET 1	-	-	-	-	-



- 1 MATERIAL; HOUSING: HIGH TEMPERATURE THERMO PLASTIC UL94V-0
 COLOR: BLACK.
 CONTACT: PHOS-BRZ
 LOCK LEVER: SUS TIN PLATING.
- 2 FINISH; CONTACT AREA: GOLD FLASH ON
 0.0013 MIN ALL OVER NICKEL.
 SOLDERING AREA: GOLD FLASH PLT.
- 3 TOLERANCES NON-CUMMURATIVE.

LEAD FREE



GENERAL TOLERANCE
 10 ≥ : ±0.2
 30 ≥ > 10: ±0.25
 100 ≥ > 30: ±0.3
 ANGLES: ±3°

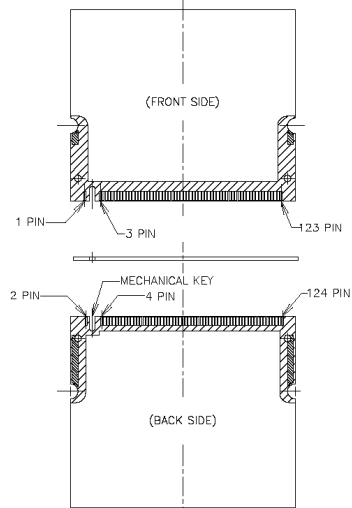
THIS DRAWING IS A CONTROLLED DOCUMENT.

DIMENSIONS:	TOLERANCES UNLESS OTHERWISE SPECIFIED:
MM	0 PLC ±
	1 PLC ±
	2 PLC ±
	3 PLC ±
	4 PLC ±
	ANGLES ±
MATERIAL	FINISH

INSTRUCTION SHEET 411-5882	DWN -		Tyco Electronics AMP K.K. Kawasaki, Japan
PRODUCT SPEC 108-5627	CIK -		0.8MM PITCH FAX MODEM SOCKET 124 POSITIONS 5.2MM HEIGHT
APPLICATION SPEC	APVD -	SIZE A3	CAGE CODE 00779
WEIGHT		DRAWING NO C=6674161	RESTRICTED TO
CUSTOMER DRAWING		SCALE 2:1	SHEET 2 OF 5
			REV 0

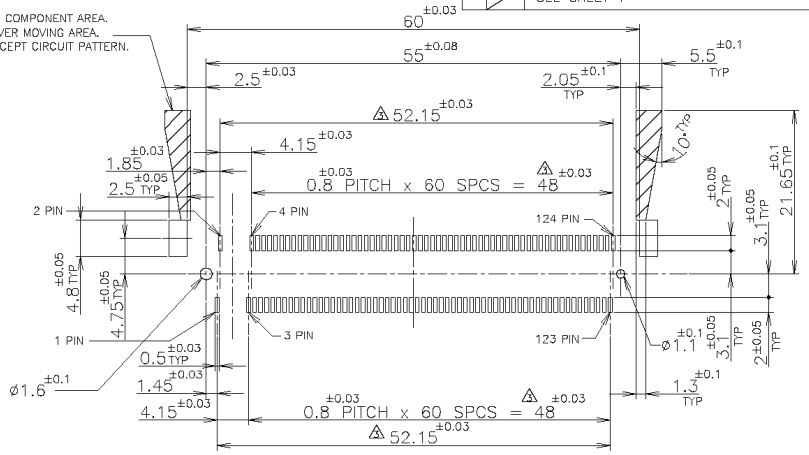
THIS DRAWING IS UNPUBLISHED. RELEASED FOR PUBLICATION - .1999.
 COPYRIGHT 1999 BY TYCO ELECTRONICS CORPORATION. ALL RIGHTS RESERVED.

LOC	DIST	REVISIONS			
P	LTR	DESCRIPTION	DATE	DWN	APVD
J	-	SEE SHEET 1			

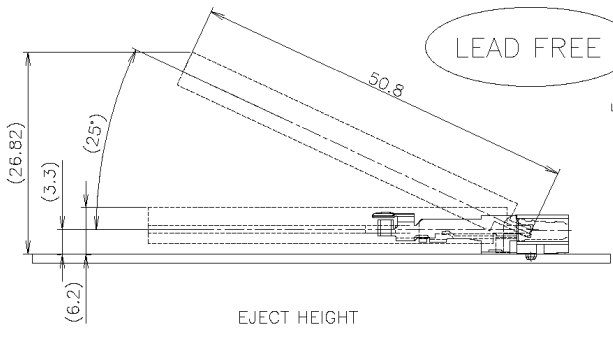


CIRCUIT POSITION OF S.O.DIMM (SCALE 1:1)

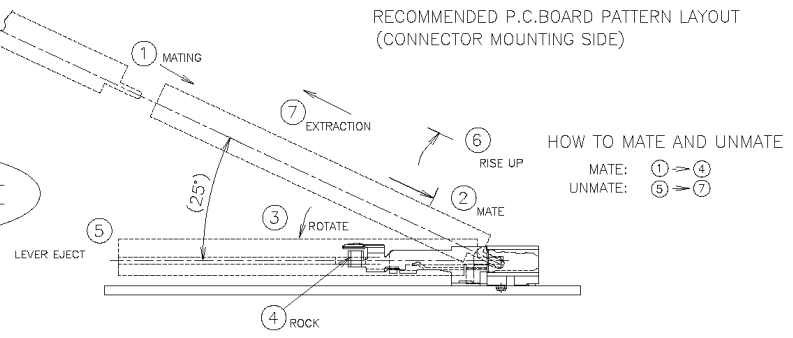
NO COMPONENT AREA.
LEVER MOVING AREA.
ACCEPT CIRCUIT PATTERN.



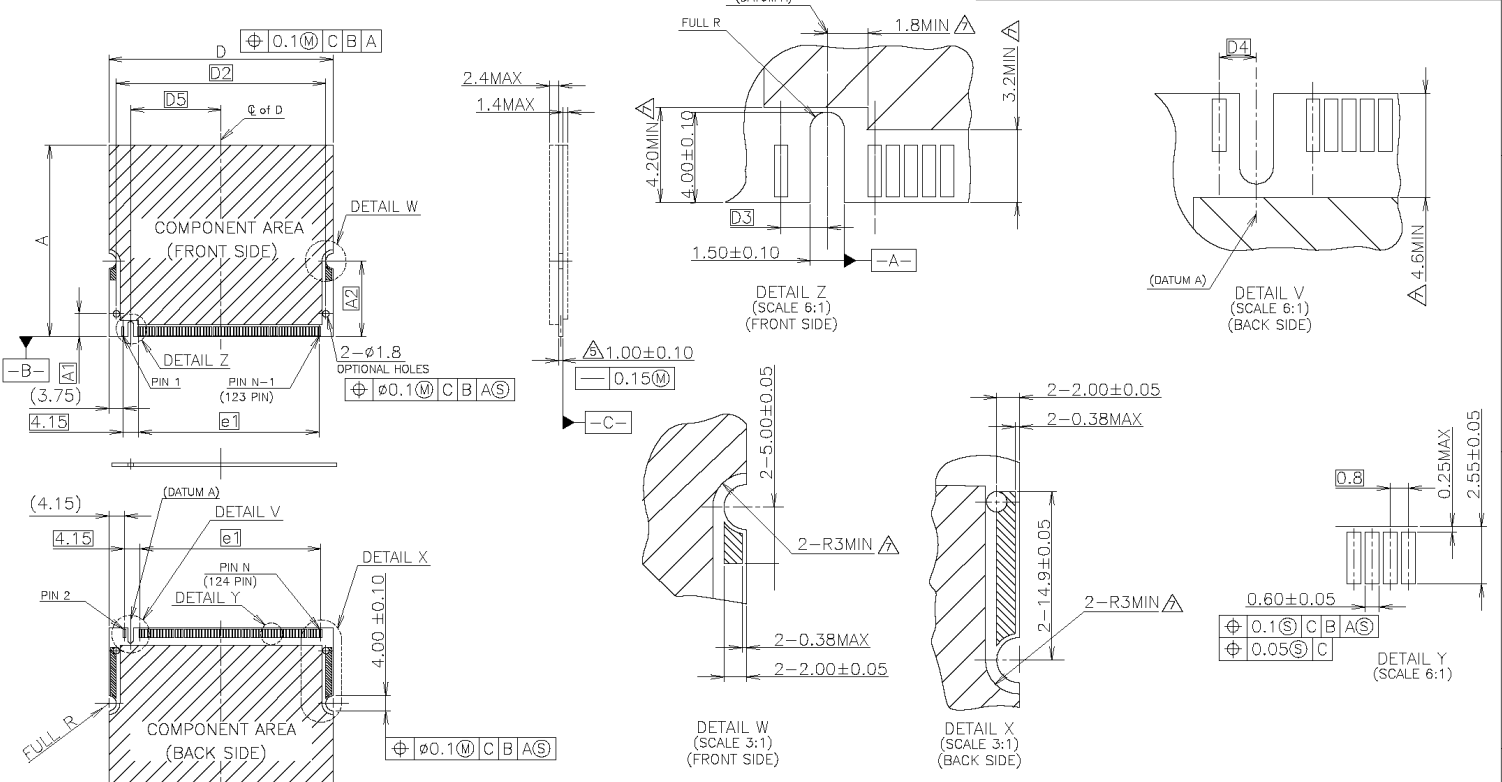
RECOMMENDED P.C. BOARD PATTERN LAYOUT (CONNECTOR MOUNTING SIDE)



LEAD FREE



THIS DRAWING IS A CONTROLLED DOCUMENT.		DIN	Tyco Electronics AMP K.K.
DIMENSIONS: MM		CIK	Kawasaki, Japan
TOLERANCES UNLESS OTHERWISE SPECIFIED:		APVD	NAME
0 PLC	±	PRODUCT SPEC	0.8MM PITCH FAX MODEM SOCKET
1 PLC	±	APPLICATION SPEC	124 POSITIONS
2 PLC	±	WEIGHT	5.2MM HEIGHT
3 PLC	±	SIZE	A3
4 PLC	±	CAGE CODE	00779
ANGLES	±	DRAWING NO	C=6674161
MATERIAL	FINISH	CUSTOMER DRAWING	RESTRICTED TO
		SCALE	2:1
		SHEET	3 OF 5
		REV	0

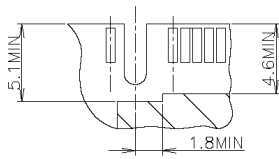
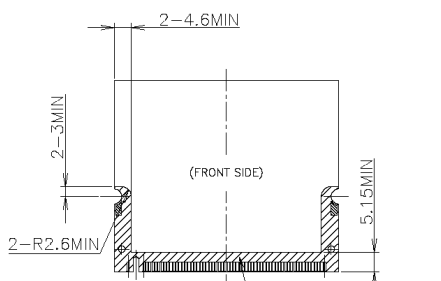


LEAD FREE

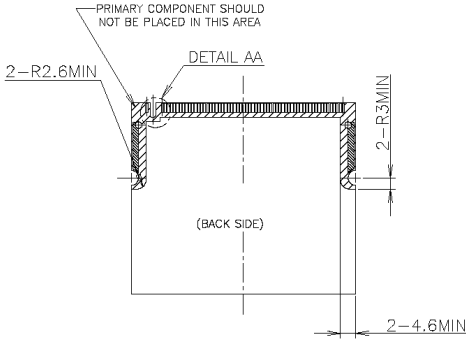
THIS DRAWING IS A CONTROLLED DOCUMENT.		DWN	Tyco Electronics AMP K.K. Kawasaki, Japan	
DIMENSIONS: MM		CHK	NAME	
TOLERANCES UNLESS OTHERWISE SPECIFIED:		APVD	0.8MM PITCH FAX MODEM SOCKET	
0 PLC	±	PRODUCT SPEC	124 POSITIONS	
1 PLC	±	APPLICATION SPEC	5.2MM HEIGHT	
2 PLC	±	WEIGHT	SIZE	CAGE CODE
3 PLC	±		A3	00779
4 PLC	±		DRAWING NO	C=6674161
ANGLES	±	CUSTOMER DRAWING	SCALE	1:1
MATERIAL	FINISH		SHEET	4 OF 5
			REV	0

THIS DRAWING IS UNPUBLISHED. RELEASED FOR PUBLICATION
 © COPYRIGHT 1999 BY TYCO ELECTRONICS CORPORATION. ALL RIGHTS RESERVED.

LOC		DIST		REVISIONS			
P	LTR	DESCRIPTION	DATE	DN	APVD		
J		-		SEE SHEET 1			



DETAIL AA
(SCALE 4:1)
(BACK SIDE)



LEAD FREE

- 4 TOLERANCES ON ALL DIMENSIONS ± 0.15 UNLESS OTHERWISE SPECIFIED.
- 5 CARD THICKNESS APPLIES ACROSS TABS AND INCLUDES PLATING AND/OR METALIZATION.
- 6 APPLICATION NOTE:
 GOLD CONTACT PAD : ELECTROLESS GOLD PLATING 0.05 μ m MIN.
 OVER ELECTROLESS Ni PLATING 2 μ m MIN.
- 7 BORDER OF COMPONENT AREA.

SYMBOL	VARIATIONS ALL DIMENSIONS IN mm					
	NORMAL HEIGHT 44.45			NORMAL HEIGHT 50.80		
	AA		BA			
	MIN	NOM	MAX	MIN	NOM	MAX
A	44.3	44.45	44.60	50.65	50.80	50.95
A1	6.00	BSC		6.00	BSC	
A2	20.00	BSC		20.00	BSC	
D	59.45	59.6	59.75	59.45	59.6	59.75
D1	1.30	BSC		1.30	BSC	
D2	55.60	BSC		55.60	BSC	
D3	2.05	BSC		2.05	BSC	
D4	1.65	BSC		1.65	BSC	
D5	24.00	BSC		24.00	BSC	
e1	48.00	BSC		48.00	BSC	
N		124			124	

THIS DRAWING IS A CONTROLLED DOCUMENT.

DIMENSIONS: MM	TOLERANCES UNLESS OTHERWISE SPECIFIED:	DIN	Tyco Electronics AMP K.K. Kawasaki, Japan
0 PLC \pm	1 PLC \pm	CIK	
2 PLC \pm	3 PLC \pm	APVD	NAME
4 PLC \pm	ANGLES \pm	PRODUCT SPEC	0.8MM PITCH FAX MODEM SOCKET
MATERIAL	FINISH	APPLICATION SPEC	124 POSITIONS
		WEIGHT	5.2MM HEIGHT
		CUSTOMER DRAWING	SIZE: A3 CAGE CODE: 00779 DRAWING NO: 6674161 RESTRICTED TO
			SCALE: 1:1 SHEET: 5 OF 5 REV: 0