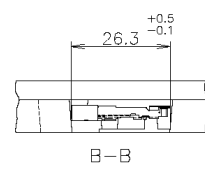
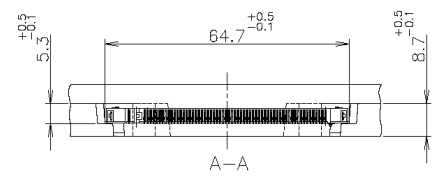
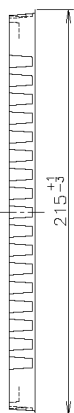
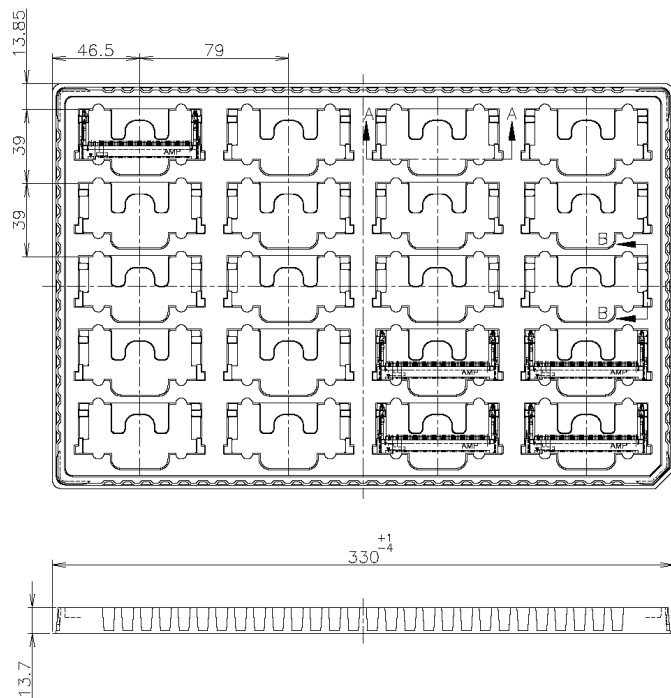


THIS DRAWING IS UNPUBLISHED. RELEASED FOR PUBLICATION
 © COPYRIGHT BY TYCO ELECTRONICS CORPORATION. ALL RIGHTS RESERVED.

REVISIONS					
P	LTR	DESCRIPTION	DATE	DWN	APVD
O		RELEASED	FJB0-1113-04	24AUG2004	J.Z I.E



1. THE DIRECTION OF EACH CONNECTOR ON A TRAY IS REFERRED TO THIS DWG.
2. GENERAL TOLERANCES ±0.5

LEAD FREE

INSTRUCTION SHEET 411-5882		20EA/TRAY	6-912074-1	1674506-1																																												
		QTY	TRAY P/N	P/N																																												
THIS DRAWING IS A CONTROLLED DOCUMENT.		<table border="1"> <tr> <td>DWN</td> <td>24AUG2004</td> <td rowspan="2"> </td> <td colspan="2">Tyco Electronics AMP K.K.</td> </tr> <tr> <td>CHK</td> <td>24AUG2004</td> <td colspan="2">Kawasaki Japan</td> </tr> <tr> <td>APVD</td> <td>24AUG2004</td> <td colspan="3">NAME</td> </tr> <tr> <td colspan="2">PRODUCT SPEC</td> <td colspan="3">108-60039</td> </tr> <tr> <td colspan="2">APPLICATION SPEC</td> <td colspan="3">SEMI-HARD TRAY ASSY 0.8mm PITCH FAX MODEM SOCKET 124POSITIONS WITHOUT BOSS</td> </tr> <tr> <td colspan="2">MATERIAL</td> <td>SIZE</td> <td>CAGE CODE</td> <td>DRAWING NO</td> </tr> <tr> <td colspan="2"></td> <td>A3</td> <td>00779</td> <td>C=6674506</td> </tr> <tr> <td colspan="2">FINISH</td> <td colspan="3">RESTRICTED TO</td> </tr> <tr> <td colspan="2">CUSTOMER DRAWING</td> <td>SCALE</td> <td>NTS</td> <td>SHEET 1 OF 5 REV 0</td> </tr> </table>			DWN	24AUG2004		Tyco Electronics AMP K.K.		CHK	24AUG2004	Kawasaki Japan		APVD	24AUG2004	NAME			PRODUCT SPEC		108-60039			APPLICATION SPEC		SEMI-HARD TRAY ASSY 0.8mm PITCH FAX MODEM SOCKET 124POSITIONS WITHOUT BOSS			MATERIAL		SIZE	CAGE CODE	DRAWING NO			A3	00779	C=6674506	FINISH		RESTRICTED TO			CUSTOMER DRAWING		SCALE	NTS	SHEET 1 OF 5 REV 0
DWN	24AUG2004		Tyco Electronics AMP K.K.																																													
CHK	24AUG2004		Kawasaki Japan																																													
APVD	24AUG2004	NAME																																														
PRODUCT SPEC		108-60039																																														
APPLICATION SPEC		SEMI-HARD TRAY ASSY 0.8mm PITCH FAX MODEM SOCKET 124POSITIONS WITHOUT BOSS																																														
MATERIAL		SIZE	CAGE CODE	DRAWING NO																																												
		A3	00779	C=6674506																																												
FINISH		RESTRICTED TO																																														
CUSTOMER DRAWING		SCALE	NTS	SHEET 1 OF 5 REV 0																																												

AMP 1470-19 REV 31MAR2000

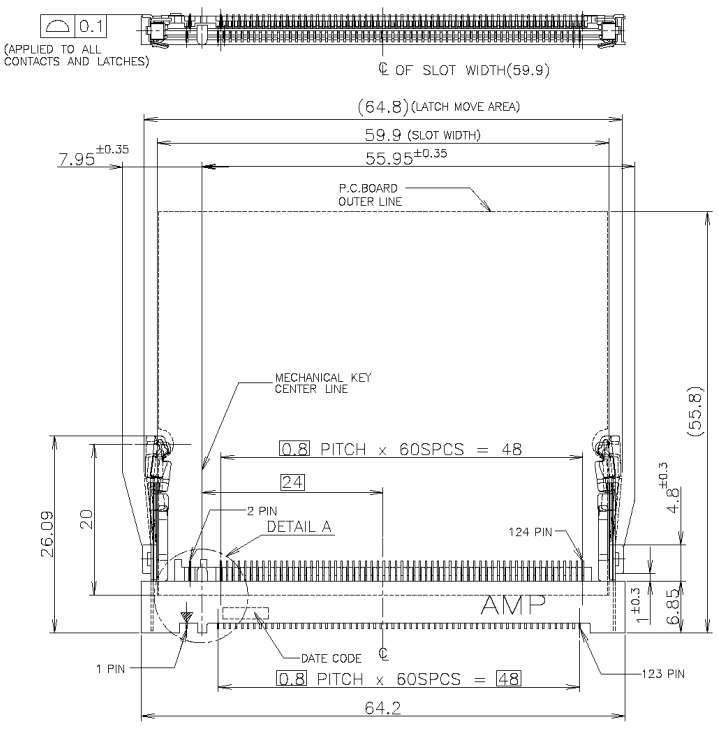
FB001310

D:\WorkFile\Download_File\B057709\1674506\C-6674506_0.dwg

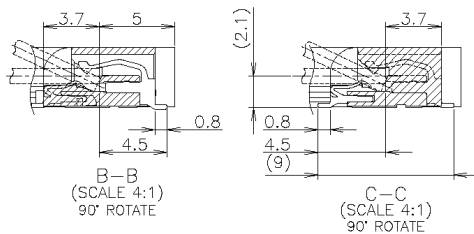
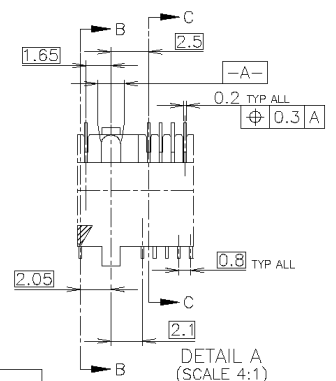
THIS DRAWING IS UNPUBLISHED. RELEASED FOR PUBLICATION
 COPYRIGHT BY TYCO ELECTRONICS CORPORATION. ALL RIGHTS RESERVED.

LOC		DIST		REVISIONS			
P	LTR	DESCRIPTION	DATE	DWN	APVD		
J				SEE SHEET 1			

- MATERIAL; HOUSING: HIGH TEMPERATURE THERMO PLASTIC UL94V-0
 COLOR: BLACK
 CONTACT: PHOS-BRZ
 LOCK LEVER: SUS TIN PLATING.
 - FINISH; CONTACT AREA: GOLD FLASH ON 0.0013MIN ALL OVER NICKEL.
 SOLDERING AREA: GOLD FLASH.
- ⚠ TOLERANCES NON CUMMURATIVE.



LEAD FREE



GENERAL TOLERANCE
 10 ≥ : ± 0.2
 30 ≥ > 10: ± 0.25
 100 ≥ > 30: ± 0.3
 ANGLES: ± 3°

THIS DRAWING IS A CONTROLLED DOCUMENT.
 DIMENSIONS: MM
 TOLERANCES UNLESS OTHERWISE SPECIFIED:
 0 PLC ±
 1 PLC ±
 2 PLC ±
 3 PLC ±
 4 PLC ±
 ANGLES ±
 MATERIAL SEE NOTE
 FINISH SEE NOTE

INSTRUCTION SHEET 411-5882	DWN -		Tyco Electronics AMP K.K. Kawasaki, Japan
CIK -	APVD -		NAME
PRODUCT SPEC 108-60039	0.8mm PITCH FAX MODEM SOCKET 124 POSITIONS WITHOUT BOSS		
APPLICATION SPEC	WEIGHT 3.3g	SIZE A3	CAGE CODE 00779
CUSTOMER DRAWING	DRAWING NO C=6674506	RESTRICTED TO	
SCALE 2:1		SHEET 2 OF 5	REV 0

AMP 1470-19 REV 31MAR2000

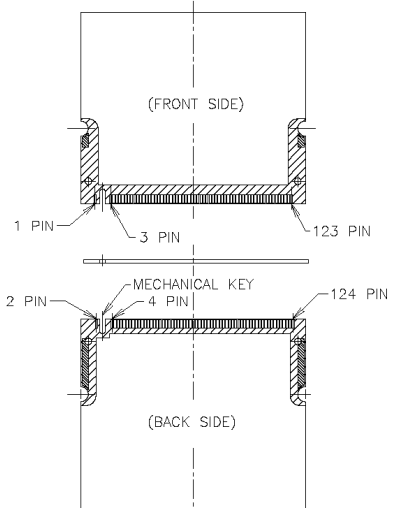
FB001310

D:\WorkFile\Download_File\B057709\1674506\C-6674507_0.dwg

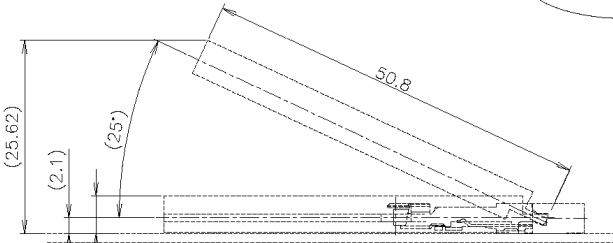
4 3 2 1

THIS DRAWING IS UNPUBLISHED. RELEASED FOR PUBLICATION
 © COPYRIGHT BY TYCO ELECTRONICS CORPORATION. ALL RIGHTS RESERVED.

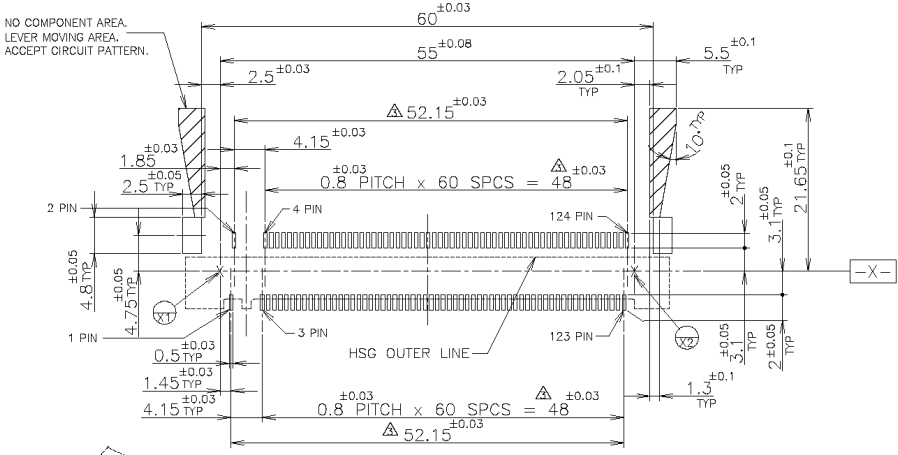
LDC		DIST		REVISIONS			
P	LTR	DESCRIPTION	DATE	DWN	APVD		
		SEE SHEET 1					



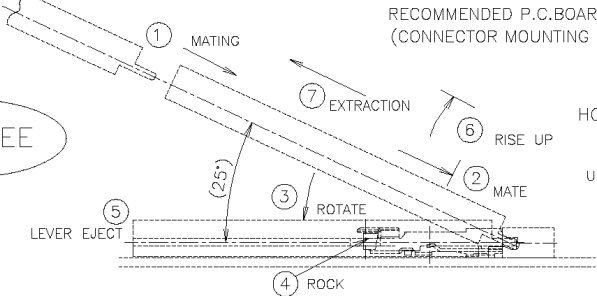
CIRCUIT POSITION (SCALE 1:1)



LEAD FREE



RECOMMENDED P.C. BOARD PATTERN LAYOUT (CONNECTOR MOUNTING SIDE)

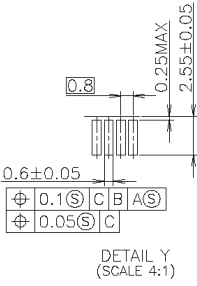
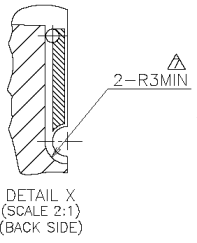
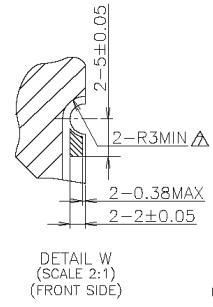
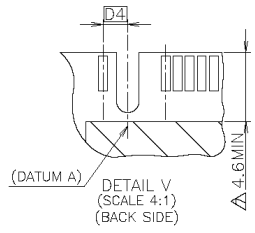
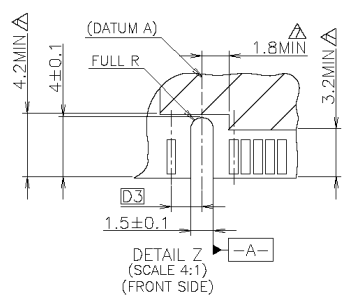
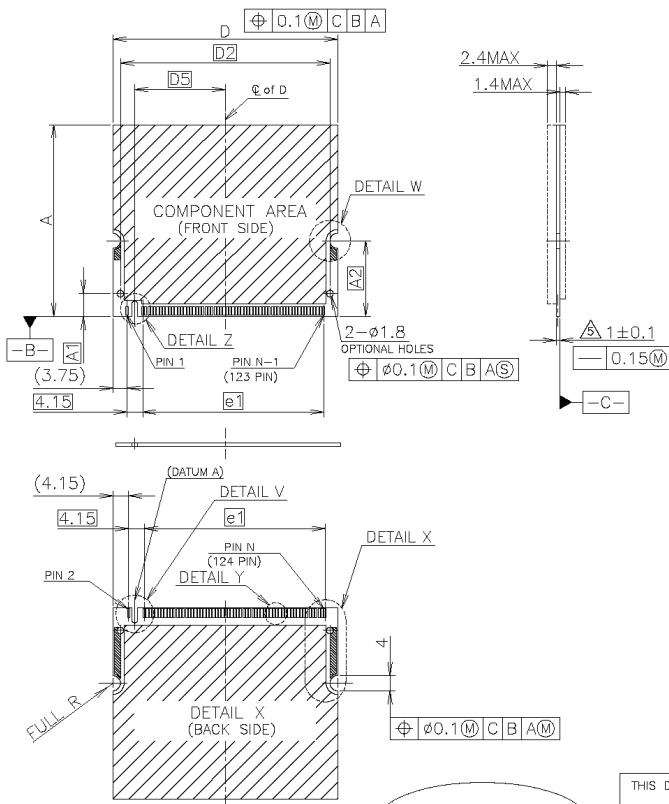


HOW TO MATE AND UNMATE
 MATE: ① → ④
 UNMATE: ⑤ → ⑦

THIS DRAWING IS A CONTROLLED DOCUMENT.		DWN	tyco		Tyco Electronics AMP K.K.
DIMENSIONS: MM		CHK	Electronics		Kawasaki Japan
TOLERANCES UNLESS OTHERWISE SPECIFIED:		APVD	NAME		
0 PLC	±	PRODUCT SPEC			
1 PLC	±	APPLICATION SPEC			
2 PLC	±	WEIGHT			
3 PLC	±	SIZE			
4 PLC	±	CAGE CODE			
ANGLES	±	DRAWING NO			
MATERIAL	FINISH	CUSTOMER DRAWING			
		A3 00779 C=6674506		RESTRICTED TO	
		SCALE	2:1	SHEET	3 OF 5
				REV	0

THIS DRAWING IS UNPUBLISHED. RELEASED FOR PUBLICATION
 COPYRIGHT BY TYCO ELECTRONICS CORPORATION. ALL RIGHTS RESERVED.

LOC		DIST		REVISIONS				
P	LTR	DESCRIPTION			DATE	DWN	APVD	
SEE SHEET 1								

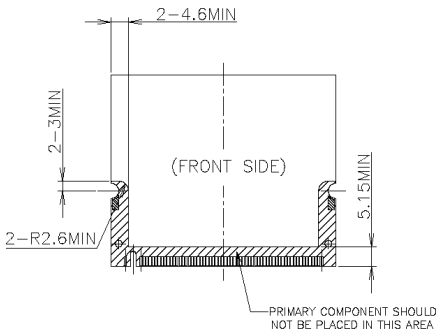


LEAD FREE

THIS DRAWING IS A CONTROLLED DOCUMENT.		DWN	tyco Electronics		Tyco Electronics AMP K.K. Kawasaki, Japan	
DIMENSIONS: MM		CHK	NAME			
TOLERANCES UNLESS OTHERWISE SPECIFIED:		APVD	0.8mm PITCH FAX MODEM SOCKET			
0 PLC \pm		PRODUCT SPEC	124 POSITIONS			
1 PLC \pm		APPLICATION SPEC	WITHOUT BOSS			
2 PLC \pm		WEIGHT	SIZE	CAGE CODE	DRAWING NO	RESTRICTED TO
3 PLC \pm			A3	00779	C=6674506	
4 PLC \pm		CUSTOMER DRAWING	SCALE	SHEET	OF	REV
ANGLES \pm			1:1	4	5	0

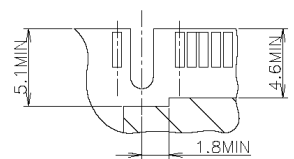
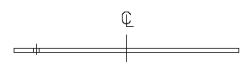
THIS DRAWING IS UNPUBLISHED. RELEASED FOR PUBLICATION
 © COPYRIGHT BY TYCO ELECTRONICS CORPORATION. ALL RIGHTS RESERVED.

LOC		DIST		REVISIONS			
P	LTR	DESCRIPTION	DATE	DWN	APVD		
		SEE SHEET 1					

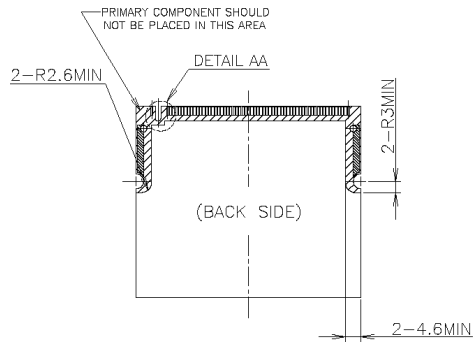


- 4 TOLERANCES ON ALL DIMENSIONS ±0.15 UNLESS OTHERWISE SPECIFIED.
- 5 CARD THICKNESS APPLIES ACROSS TABS AND INCLUDES PLATING AND/OR METALIZATION.
- 6 APPLICATION NOTE;
- GOLD CONTACT PAD: ELECTROLESS GOLD PLATING 0.00005 MIN.
- △ BORDER OF COMPONENT AREA.

LEAD FREE



DETAIL AA
(SCALE 4:1)
(BACK SIDE)



SYMBOL	VARIATIONS ALL DIMENSIONS IN mm					
	NORMAL HEIGHT 44.45			NORMAL HEIGHT 50.80		
	AA			BA		
	MIN	NOM	MAX	MIN	NOM	MAX
A	44.30	44.45	44.60	50.65	50.80	50.95
A1	6.00 BSC			6.00 BSC		
A2	20.00 BSC			20.00 BSC		
D	59.45	59.60	59.75	59.45	59.60	59.75
D2	55.60 BSC			55.60 BSC		
D3	2.05 BSC			2.05 BSC		
D4	1.65 BSC			1.65 BSC		
D5	24.00 BSC			24.00 BSC		
e1	48.00 BSC			48.00 BSC		
N	124			124		

THIS DRAWING IS A CONTROLLED DOCUMENT.

DIMENSIONS: MM	TOLERANCES UNLESS OTHERWISE SPECIFIED:	DWN	Tyco Electronics AMP K.K. Kawasaki, Japan											
<table border="1"> <tr><td>0 PLC</td><td>±</td></tr> <tr><td>1 PLC</td><td>±</td></tr> <tr><td>2 PLC</td><td>±</td></tr> <tr><td>3 PLC</td><td>±</td></tr> <tr><td>4 PLC</td><td>±</td></tr> <tr><td>ANGLES</td><td>±</td></tr> </table>	0 PLC	±		1 PLC	±	2 PLC	±	3 PLC	±	4 PLC	±	ANGLES	±	
0 PLC	±													
1 PLC	±													
2 PLC	±													
3 PLC	±													
4 PLC	±													
ANGLES	±													
MATERIAL	FINISH	APVD	RESTRICTED TO											
		PRODUCT SPEC	SIZE: A3											
		APPLICATION SPEC	CAGE CODE: 00779											
		WEIGHT	DRAWING NO: 6674506											
		CUSTOMER DRAWING	SCALE: 1:1											
			SHEET 5 OF 5											
			REV 0											