

THIS DRAWING IS UNPUBLISHED. RELEASED FOR PUBLICATION AUG. 2008.  
 BY TYCO ELECTRONICS CORPORATION. ALL RIGHTS RESERVED.

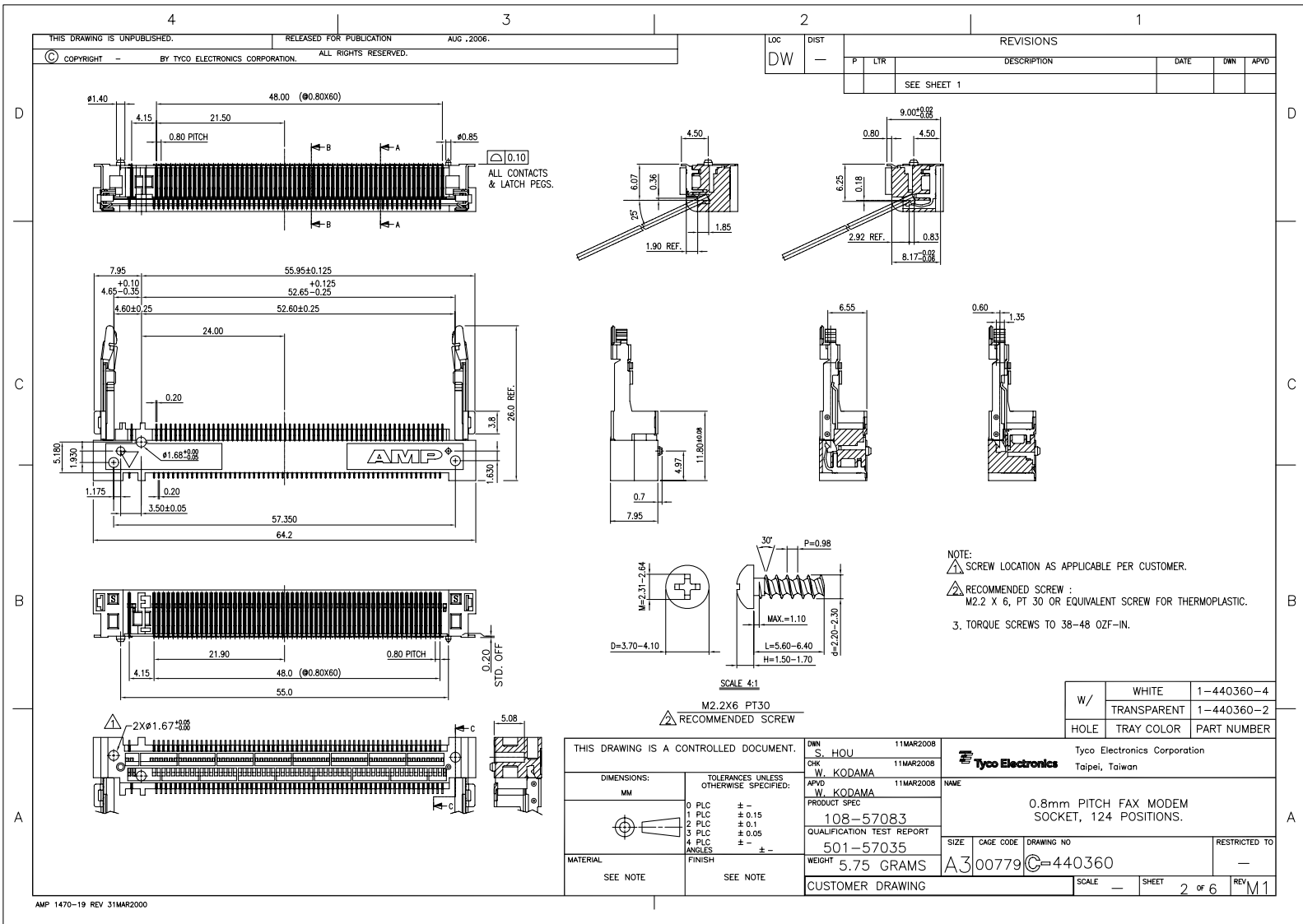
LOC	DIST	REVISIONS			
P	LTR	DESCRIPTION	DATE	DWN	APVD
M1		REVISED (ECR-10-023929, ECR-10-024144)	23NOV10	SC	WK

- NOTE :
- MATERIAL  
 HOUSING : THERMOPLASTIC, LCP  
 UL 94V-0, BLACK COLOR  
 CONTACT : COPPER ALLOY  
 LATCH : STEEL
  - FINISH  
 CONTACT : 0.25um MIN. GOLD PLATED IN CONTACT AREA,  
 GOLD FLASH PLATING ALL OVER, WITH  
 1.27um MIN. NICKEL UNDERPLATING ALL OVER.  
 LATCH : 2.54um MIN. MATTE TIN PLATING(SEE TABLE) OVER  
 0.76um MIN. NICKEL PLATING.
  - CARD THICKNESS APPLIES ACROSS TABS AND INCLUDES PLATING  
 AND/OR METALIZATION
  - APPLICATION  
 GOLD CONTACT PAD : ELECTROLESS GOLD PLATING 0.05um MIN  
 OVER ELECTROLESS NICKEL PLATING 2um MIN
  - BORDER OF COMPONENT AREA
  - WEIGHT  
 NET WEIGHT : 3.45 kgs/CTN  
 GROSS WEIGHT : 8 kgs/CTN

W/O	WHITE	440360-4
	TRANSPARENT	440360-2
HOLE	TRAY COLOR	PART NUMBER

THIS DRAWING IS A CONTROLLED DOCUMENT.		DWN S. HOU 11MAR2008	Tyco Electronics Corporation Taipei, Taiwan	
DIMENSIONS: MM		CHK W. KODAMA 11MAR2008	NAME 0.8mm PITCH FAX MODEM SOCKET, 124 POSITIONS.	
TOLERANCES UNLESS OTHERWISE SPECIFIED: 0 PLC ± 1 PLC ±0.15 2 PLC ±0.1 3 PLC ±0.05 4 PLC ± ANGLES ±-		APVD W. KODAMA 11MAR2008	PRODUCT SPEC 108-57083	
MATERIAL SEE NOTE		QUALIFICATION TEST REPORT 501-57035	SIZE A3	CAGE CODE 00779
FINISH SEE NOTE		WEIGHT 5.75 GRAMS	DRAWING NO C-440360	RESTRICTED TO -
		CUSTOMER DRAWING	SCALE -	SHEET 1 of 6
				REV M1

AMP 1470-19 REV 31MAR2000



THIS DRAWING IS UNPUBLISHED. RELEASED FOR PUBLICATION AUG. 2006.  
 © COPYRIGHT BY TYCO ELECTRONICS CORPORATION. ALL RIGHTS RESERVED.

LOC	DIST	REVISIONS			
P	LTR	DESCRIPTION	DATE	DWN	APVD
		SEE SHEET 1			

NOTE:  
 ▲ SCREW LOCATION AS APPLICABLE PER CUSTOMER.  
 ▲ RECOMMENDED SCREW :  
 M2.2 X 6, PT 30 OR EQUIVALENT SCREW FOR THERMOPLASTIC.  
 3. TORQUE SCREWS TO 38-48 OZF-IN.

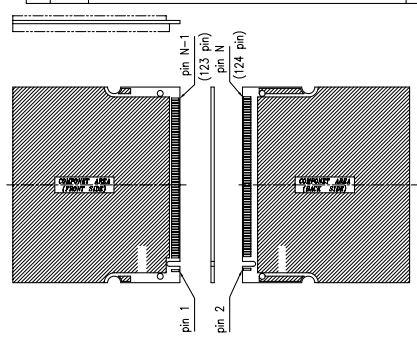
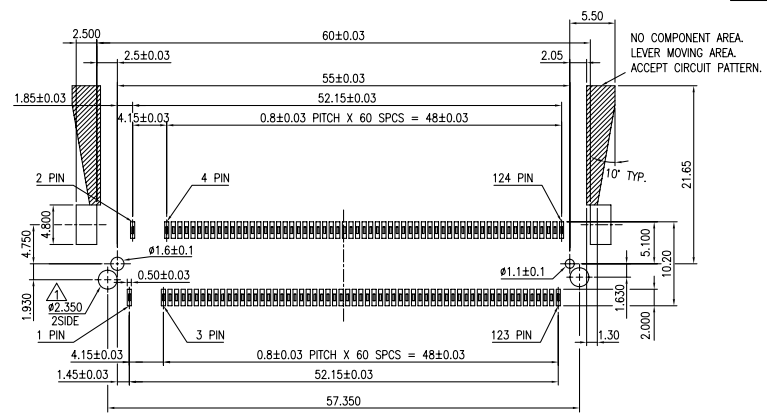
w/	WHITE	1-440360-4
	TRANSPARENT	1-440360-2
SOLE	TRAY COLOR	PART NUMBER

THIS DRAWING IS A CONTROLLED DOCUMENT.		DWN S2 HOU	11MAR2008	Tyco Electronics Corporation Taipei, Taiwan
		CHK W. KODAMA	11MAR2008	
		APVD W. KODAMA	11MAR2008	NAME
		PRODUCT SPEC 108-57083		0.8mm PITCH FAX MODEM SOCKET, 124 POSITIONS.
		QUALIFICATION TEST REPORT 501-57035		RESTRICTED TO
MATERIAL		WEIGHT	5.75 GRAMS	SIZE
SEE NOTE		FINISH		CAGE CODE
		CUSTOMER DRAWING		DRAWING NO
				A3 00779 C=440360
		SCALE		SHEET
				2 of 6
				REV M1

AMP 1470-19 REV 31MAR2000

THIS DRAWING IS UNPUBLISHED. RELEASED FOR PUBLICATION AUG. 2006.  
 © COPYRIGHT BY TYCO ELECTRONICS CORPORATION. ALL RIGHTS RESERVED.

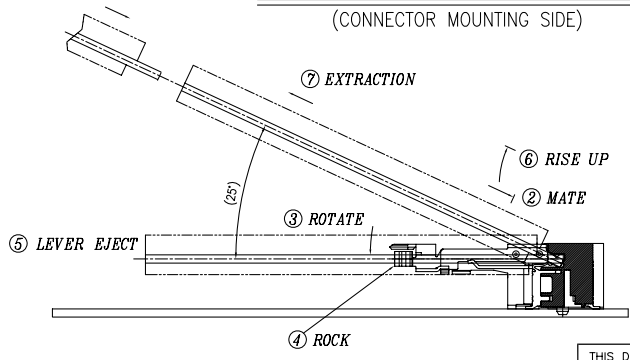
LOC	DIST	REVISIONS			
P	LTR	DESCRIPTION	DATE	DWN	APVD
DW	-	SEE SHEET 1			



CIRCUIT POSITION OF S.O.DIMM

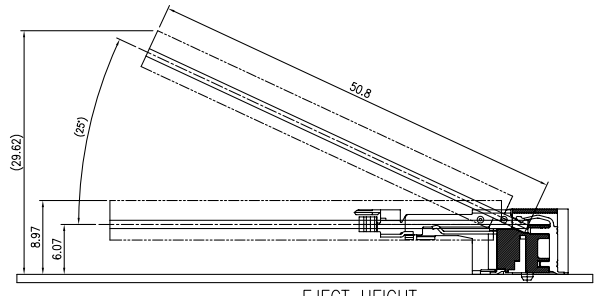
① MATING RECOMMENDED P.D. BOARD PATTERN LAYOUT (CONNECTOR MOUNTING SIDE)

NOTE: THE HOLES ARE ONLY FOR P/N : 1-0440360-X.



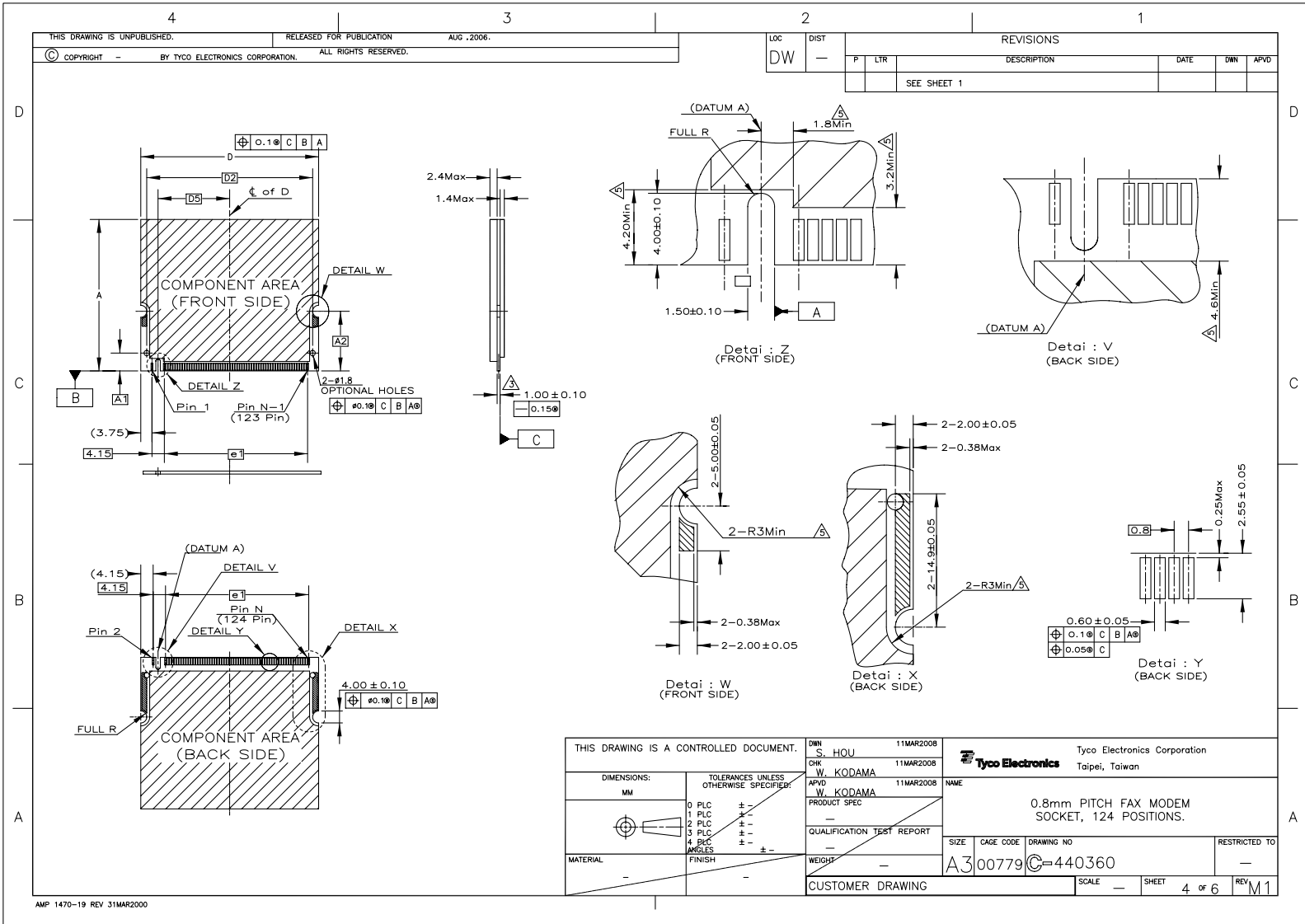
HOW TO MATE AND UNMATE

MATE: ① ~ ④  
 UNMATE: ⑤ ~ ⑦



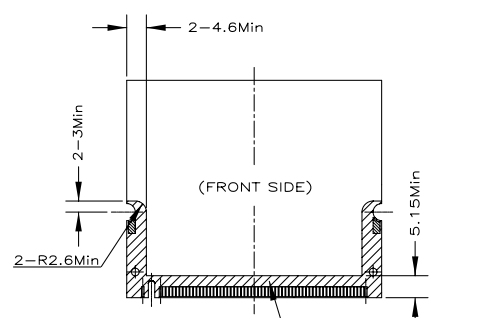
EJECT HEIGHT

THIS DRAWING IS A CONTROLLED DOCUMENT.		DWN: S2 HOU 11MAR2008	Tyco Electronics Corporation Taipei, Taiwan	
DIMENSIONS: MM		CHK: W. KODAMA 11MAR2008	Tyco Electronics	
TOLERANCES UNLESS OTHERWISE SPECIFIED:		APVD: W. KODAMA 11MAR2008	NAME	
0 PLC	±	PRODUCT SPEC	0.8mm PITCH FAX MODEM SOCKET, 124 POSITIONS.	
1 PLC	±	QUALIFICATION TEST REPORT	SIZE	CAGE CODE
2 PLC	±	WEIGHT	A3	00779
3 PLC	±	CUSTOMER DRAWING	DRAWING NO C=440360	
4 PLC	±	SCALE	RESTRICTED TO	
ANGLES	±	SHEET	3 of 6	
MATERIAL	FINISH	REV	M1	

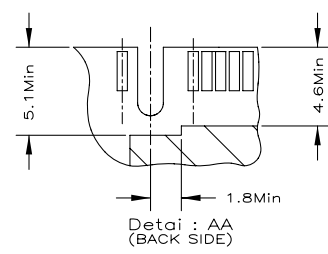


THIS DRAWING IS UNPUBLISHED. RELEASED FOR PUBLICATION AUG. 2006.  
 © COPYRIGHT BY TYCO ELECTRONICS CORPORATION. ALL RIGHTS RESERVED.

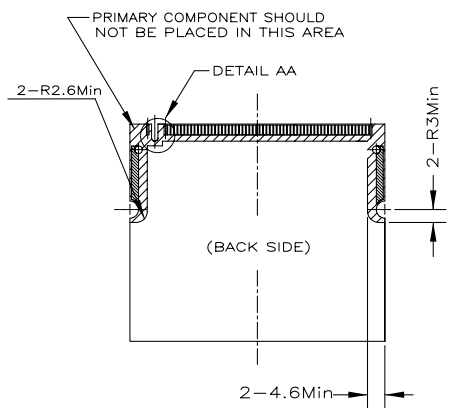
LOC	DIST	REVISIONS			
P	LTR	DESCRIPTION	DATE	DWN	APVD
DW	-	SEE SHEET 1			



PRIMARY COMPONENT SHOULD NOT BE PLACED IN THIS AREA



Detail : AA (BACK SIDE)



PRIMARY COMPONENT SHOULD NOT BE PLACED IN THIS AREA

SOYMBOL	VARIATIONS ALL DIMENSIONS IN mm					
	NORMAL HEIGHT 44.45			NORMAL HEIGHT 50.80		
	AA			BA		
	MIN	NOM	MAX	MIN	NOM	MAX
A	44.3	44.45	44.60	50.65	50.80	50.95
A1	6.00	BSC		6.00	BSC	
A2	20.00	BSC		20.00	BSC	
D	59.45	59.6	59.75	59.45	59.6	59.75
D1	1.30	BSC		1.30	BSC	
D2	55.60	BSC		55.60	BSC	
D3	2.05	BSC		2.05	BSC	
D4	1.65	BSC		1.65	BSC	
D5	24.00	BSC		24.00	BSC	
e1	48.00	BSC		48.00	BSC	
N		124			124	

THIS DRAWING IS A CONTROLLED DOCUMENT.		DWN S <sub>1</sub> HOU 11MAR2008	Tyco Electronics Corporation Taipei, Taiwan	
DIMENSIONS: MM		CHK W. KODAMA 11MAR2008	NAME	
TOLERANCES UNLESS OTHERWISE SPECIFIED: 0 PLC ± - 1 PLC ± - 2 PLC ± - 3 PLC ± - 4 PLC ± - ANGLES ± -		APVD W. KODAMA 11MAR2008	PRODUCT SPEC	
MATERIAL		QUALIFICATION TEST REPORT	0.8mm PITCH FAX MODEM SOCKET, 124 POSITIONS.	
FINISH		WEIGHT	SIZE A3	CAGE CODE 00779
		CUSTOMER DRAWING	DRAWING NO C=440360	RESTRICTED TO
			SCALE	SHEET 5 of 6
				REV M1

