

4

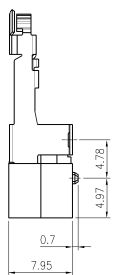
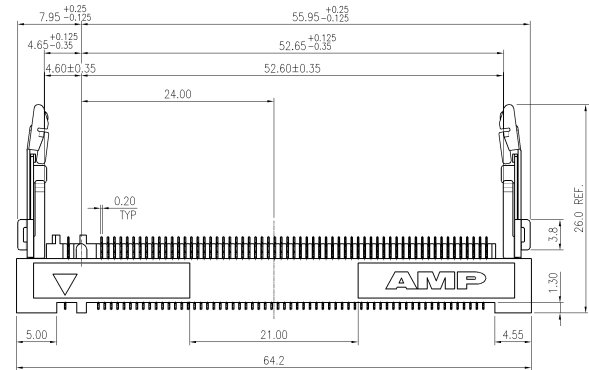
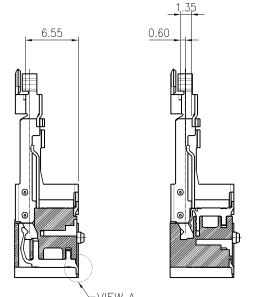
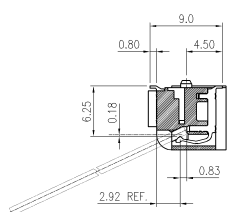
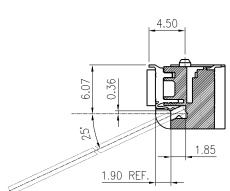
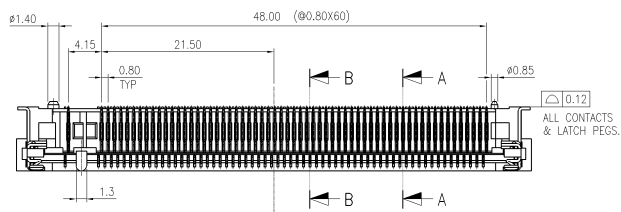
3

2

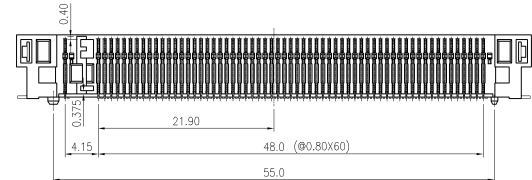
1

THIS DRAWING IS UNPUBLISHED. RELEASED FOR PUBLICATION  
 © COPYRIGHT BY TYCO ELECTRONICS CORPORATION. ALL RIGHTS RESERVED.

LOC	DIST	REVISIONS			
P	LTR	DESCRIPTION	DATE	DWN	APVD
DW	-	RELEASED	18MAY07	HH	WK



- NOTE :
- MATERIAL  
 HOUSING : THERMOPLASTIC (LCP), UL 94V-0, BLACK COLOR  
 CONTACT : COPPER ALLOY  
 LATCH : STAINLESS
  - FINISH  
 CONTACT : 0.25um (10u") MIN. GOLD PLATED ON CONTACT AREA, GOLD FLASH PLATING ALL OVER, WITH 1.27um (50u") MIN. NICKEL UNDERPLATING ALL OVER.  
 LATCH : 2.54um (100u") MIN. TIN-COPPER PLATING OVER 0.76um (30u") MIN. NICKEL PLATING.
  - CARD THICKNESS APPLIES ACROSS TABS AND INCLUDES PLATING AND/OR METALIZATION
  - APPLICATION  
 GOLD CONTACT PAD : ELECTROLESS GOLD PLATING 0.05um MIN OVER ELECTROLESS NICKEL PLATING 2um MIN
  - BORDER OF COMPONENT AREA
  - REFLOW SOLDER CAPABLE TO 260°C PER TYCO TEST SPEC 109-201, CONDITION B.



NO HOLE	WHITE	1734068-3
	TRANSPARENT	1734068-1
HOLE	TRAY COLOR	PART NUMBER

THIS DRAWING IS A CONTROLLED DOCUMENT.		DWN H. HUANG 18MAY2007	Tyco Electronics Corporation Taipei, Taiwan	
DIMENSIONS: MM		CHK S. HOU 18MAY2007		
TOLERANCES UNLESS OTHERWISE SPECIFIED:		APVD W.J. KE 18MAY2007	NAME	
0 PLC ± -		PRODUCT SPEC		
1 PLC ± 0.35		108-57083		
2 PLC ± 0.25		QUALIFICATION TEST REPORT		
3 PLC ± -		501-57035		
4 PLC ± -		WEIGHT 5.75g		
ANGLES ± -		SIZE CAGE CODE DRAWING NO		
MATERIAL SEE NOTE		A3 00779 C-1734068		
FINISH SEE NOTE		RESTRICTED TO		
		CUSTOMER DRAWING		
		SCALE - SHEET 1 OF 6		REV A

AMP 1470-19 REV 31MAR2000

4

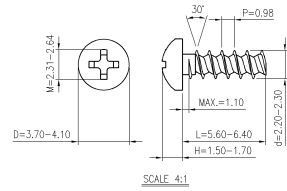
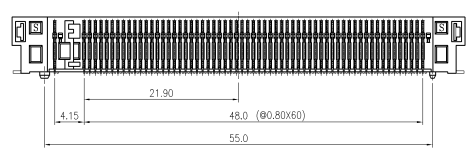
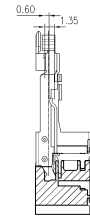
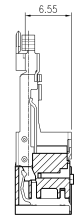
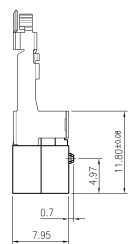
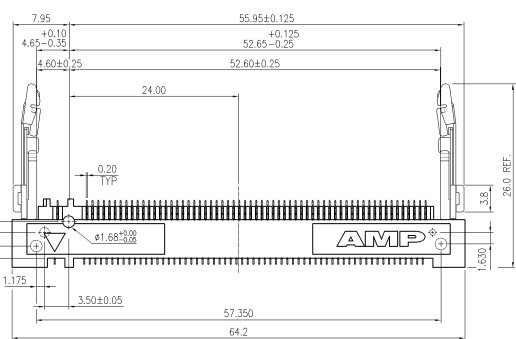
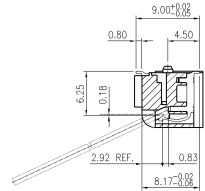
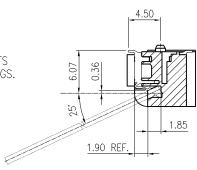
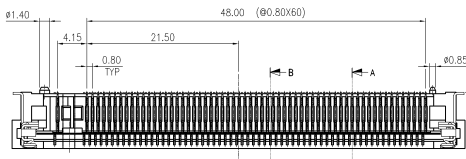
3

2

1

THIS DRAWING IS UNPUBLISHED. RELEASED FOR PUBLICATION  
 © COPYRIGHT BY TYCO ELECTRONICS CORPORATION. ALL RIGHTS RESERVED.

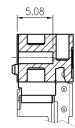
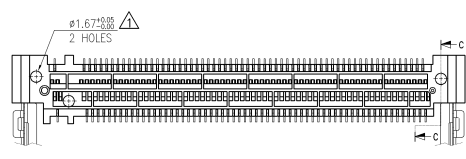
LOC	DIST	REVISIONS			
P	LTR	DESCRIPTION	DATE	DWN	APVD
SEE SHEET 1.					



NOTE:  
 ▲ SCREW LOCATION AS APPLICABLE PER CUSTOMER.  
 ▲ RECOMMENDED SCREW :  
 M2.2 X 6, PT 30 OR EQUIVALENT SCREW FOR THERMOPLASTIC.  
 3. TORQUE SCREWS TO 38-48 OZF-IN.

M2.2X6 PT30  
 ▲ RECOMMENDED SCREW

WITH HOLE	WHITE	1-1734068-3
	TRANSPARENT	1-1734068-1
HOLE	TRAY COLOR	PART NUMBER



THIS DRAWING IS A CONTROLLED DOCUMENT.		DWN	H. HUANG	18MAY2007
DIMENSIONS:		CHK	S. HOU	18MAY2007
MM	TOLERANCES UNLESS OTHERWISE SPECIFIED:	APVD	W.J. KE	18MAY2007
0 PLC	±	PRODUCT SPEC		
1 PLC	±	APPLICATION SPEC		
2 PLC	±	WEIGHT		
3 PLC	±	CUSTOMER DRAWING		
4 PLC	±	SCALE		
ANGLES	±	SHEET		
MATERIAL	FINISH	REV		

<b>tyco</b>		Tyco Electronics Corporation	
Electronics		Taipei, Taiwan	
NAME			
0.8mm PITCH FAX MODEM SOCKET, 124 POSITIONS			
SIZE	CAGE CODE	DRAWING NO	RESTRICTED TO
A3	00779	C-1734068	
SCALE		SHEET	REV
—		2 OF 6	A

AMP 1470-19 REV 31MR2000

4

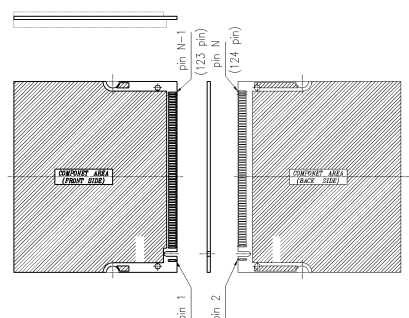
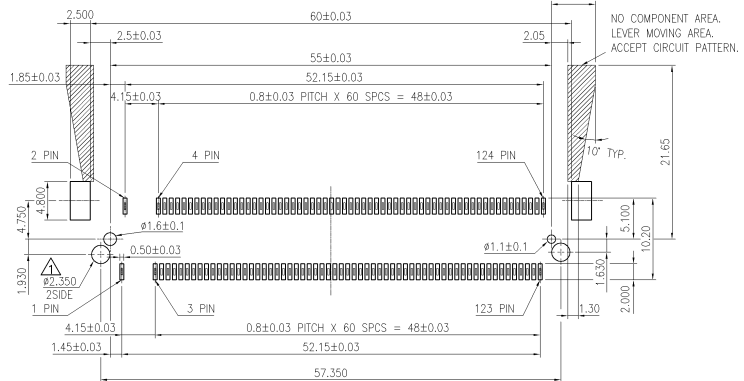
3

2

1

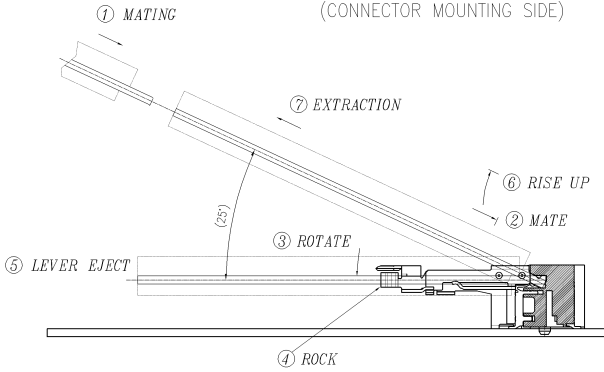
THIS DRAWING IS UNPUBLISHED. RELEASED FOR PUBLICATION  
 © COPYRIGHT - BY TYCO ELECTRONICS CORPORATION. ALL RIGHTS RESERVED.

LOC	DIST	REVISIONS			
P	LTR	DESCRIPTION	DATE	DWN	APVD
SEE SHEET 1.					

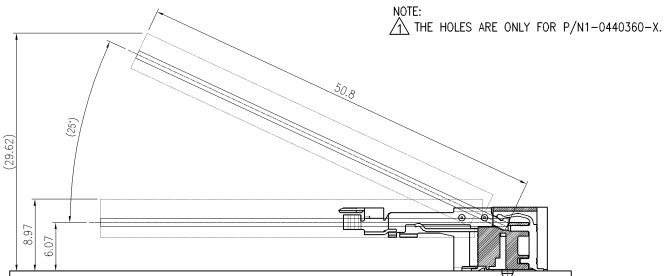


RECOMMENDED P.D. BOARD PATTERN LAYOUT  
(CONNECTOR MOUNTING SIDE)

CIRCUIT POSITION OF S.O.DIMM



HOW TO MATE AND UNMATE  
 MATE: ① ~ ④  
 UNMATE: ⑤ ~ ⑦



EJECT HEIGHT

THIS DRAWING IS A CONTROLLED DOCUMENT.		DWN H. HUANG 18MAY2007	<b>tyco</b> Electronics Tyco Electronics Corporation Taipei, Taiwan	
DIMENSIONS: MM		CHK S. HOU 18MAY2007		
TOLERANCES UNLESS OTHERWISE SPECIFIED:		APVD W.J. KE 18MAY2007	NAME	
0 PLC ± - 1 PLC ± - 2 PLC ± - 3 PLC ± - 4 PLC ± - ANGLES ± -		PRODUCT SPEC	0.8mm PITCH FAX MODEM SOCKET, 124 POSITIONS	
MATERIAL		APPLICATION SPEC	SIZE	RESTRICTED TO
FINISH		WEIGHT	A3 00779 C-1734068	
CUSTOMER DRAWING			SCALE	SHEET 3 OF 6 REV A

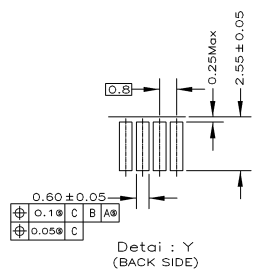
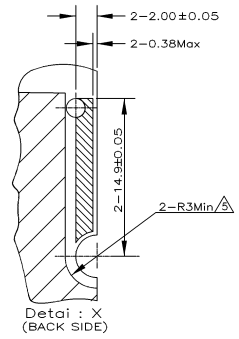
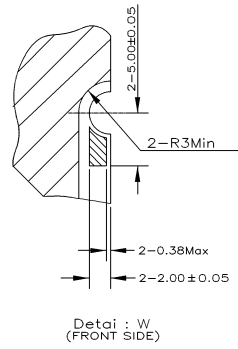
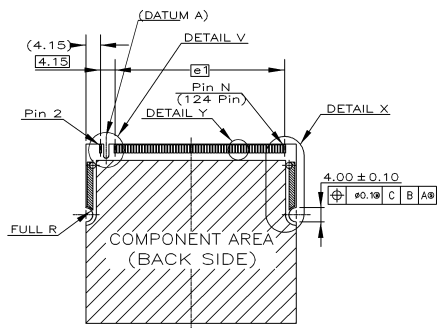
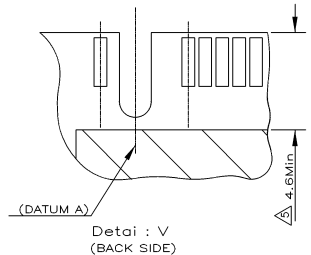
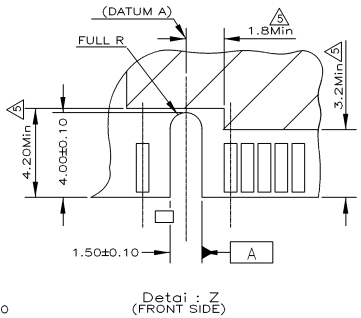
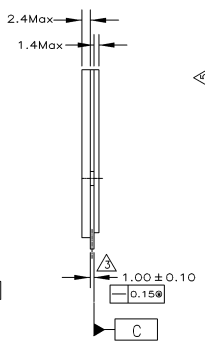
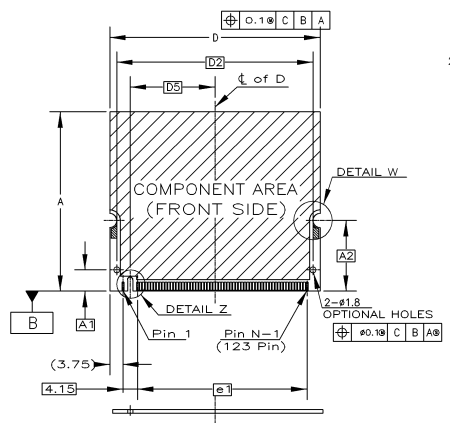
4

3

2

1

THIS DRAWING IS UNPUBLISHED.		RELEASED FOR PUBLICATION		LOC	DIST	REVISIONS					
COPYRIGHT - BY TYCO ELECTRONICS CORPORATION. ALL RIGHTS RESERVED.				DW	-	P	LTR	DESCRIPTION	DATE	DWN	APVD
								SEE SHEET 1.			



THIS DRAWING IS A CONTROLLED DOCUMENT.		DWN	H. HUANG	18MAY2007	 Tyco Electronics Corporation Taipei, Taiwan
DIMENSIONS: MM		CHK	S. HOU	18MAY2007	
TOLERANCES UNLESS OTHERWISE SPECIFIED: 0 PLC $\pm$ - 1 PLC $\pm$ - 2 PLC $\pm$ - 3 PLC $\pm$ - 4 PLC $\pm$ - ANGLES $\pm$ -		APVD	W.J. KE	18MAY2007	
MATERIAL		FINISH			
		PRODUCT SPEC			NAME
		APPLICATION SPEC			0.8mm PITCH FAX MODEM SOCKET, 124 POSITIONS
		WEIGHT			SIZE
		CUSTOMER DRAWING			CAGE CODE
					DRAWING NO
					RESTRICTED TO
					A3 00779 C-1734068
					SCALE
					SHEET
					4 of 6
					REV
					A

4

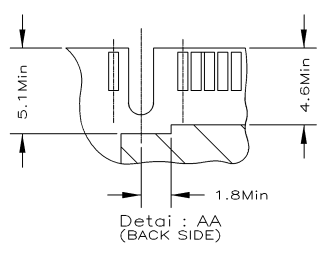
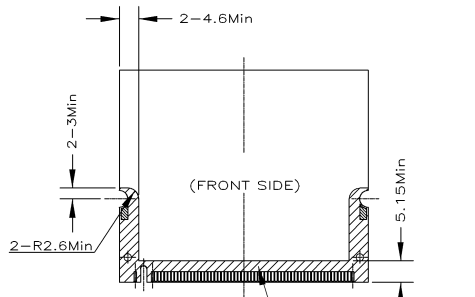
3

2

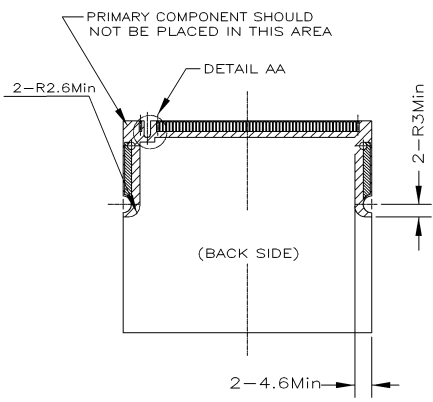
1

THIS DRAWING IS UNPUBLISHED. RELEASED FOR PUBLICATION  
 © COPYRIGHT - BY TYCO ELECTRONICS CORPORATION. ALL RIGHTS RESERVED.

LOC	DIST	REVISIONS			
P	LTR	DESCRIPTION	DATE	DWN	APVD
DW	-	SEE SHEET 1.			



SOYMBOL	VARIATIONS ALL DIMENSIONS IN mm					
	NORMAL HEIGHT 44.45			NORMAL HEIGHT 50.80		
	AA		BA			
	MIN	NOM	MAX	MIN	NOM	MAX
A	44.3	44.45	44.60	50.65	50.80	50.95
A1	6.00	BSC		6.00	BSC	
A2	20.00	BSC		20.00	BSC	
d	59.45	59.6	59.75	59.45	59.6	59.75
D1	1.30	BSC		1.30	BSC	
D2	55.60	BSC		55.60	BSC	
D3	2.05	BSC		2.05	BSC	
D4	1.65	BSC		1.65	BSC	
D5	24.00	BSC		24.00	BSC	
e1	48.00	BSC		48.00	BSC	
N	124			124		



THIS DRAWING IS A CONTROLLED DOCUMENT.		DWN H. HUANG 18MAY2007	<b>tyco</b> Electronics		Tyco Electronics Corporation Taipei, Taiwan
DIMENSIONS: MM		CHK S. HOU 18MAY2007	NAME		
TOLERANCES UNLESS OTHERWISE SPECIFIED:		APVD W.J. KE 18MAY2007	0.8mm PITCH FAX MODEM SOCKET, 124 POSITIONS		
0 PLC ± -		PRODUCT SPEC	SIZE CAGE CODE DRAWING NO		
1 PLC ± -		APPLICATION SPEC	A3 00779 C-1734068		
2 PLC ± -		WEIGHT	RESTRICTED TO		
3 PLC ± -		CUSTOMER DRAWING	SCALE - SHEET 5 of 6 REV A		
4 PLC ± -					
ANGLES ± -					
FINISH					

4

3

2

1

THIS DRAWING IS UNPUBLISHED. RELEASED FOR PUBLICATION  
 © COPYRIGHT - BY TYCO ELECTRONICS CORPORATION. ALL RIGHTS RESERVED.

LOC	DIST	REVISIONS			
P	LTR	DESCRIPTION	DATE	DWN	APVD
SEE SHEET 1.					

D

D

C

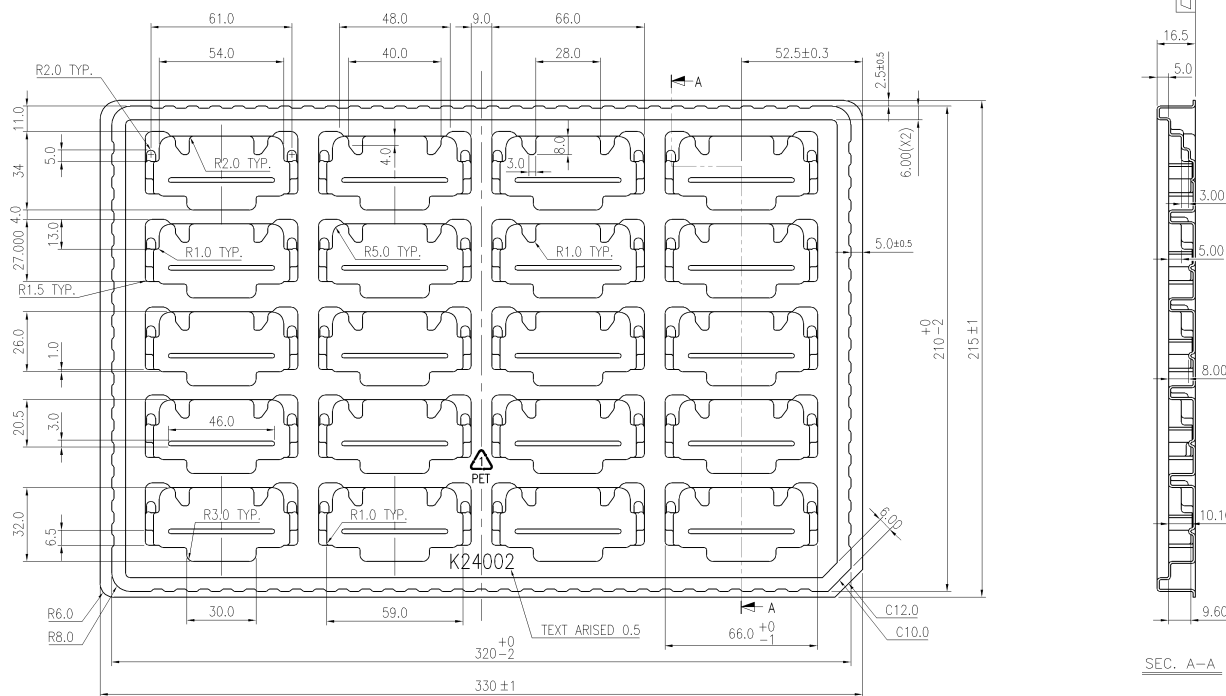
C

B

B

A

A



NOTES:

1. MATERIAL: PET, t=0.9 ± 0.20 mm.
2. ALLOWED RADIUS R0.5 UNLESS OTHERWISE SPECIFIED.
3. DRAFT ANGLE: 3° MAX.
4. PACKAGE: 30 TRAYS/CARTON, TOTAL: 600 PCS.
5. NET WEIGHT: 3.45 kgs/CTN
6. GROSS WEIGHT: 8 kgs/CTN

THIS DRAWING IS A CONTROLLED DOCUMENT.		DWN H. HUANG 18MAY2007	<b>tyco</b> Electronics		Tyco Electronics Corporation Taipei, Taiwan												
DIMENSIONS: MM		CHK S. HOU 18MAY2007	NAME														
TOLERANCES UNLESS OTHERWISE SPECIFIED:		APVD W. J. KE 18MAY2007	0.8mm PITCH FAX MODEM SOCKET, 124 POSITIONS														
<table border="1"> <tr><td>0 PLC</td><td>± -</td></tr> <tr><td>1 PLC</td><td>± -</td></tr> <tr><td>2 PLC</td><td>± -</td></tr> <tr><td>3 PLC</td><td>± -</td></tr> <tr><td>4 PLC</td><td>± -</td></tr> <tr><td>ANGLES</td><td>± -</td></tr> </table>		0 PLC	± -	1 PLC	± -	2 PLC	± -	3 PLC	± -	4 PLC	± -	ANGLES	± -	PRODUCT SPEC	SIZE A3	CAGE CODE 00779	DRAWING NO C-1734068
0 PLC	± -																
1 PLC	± -																
2 PLC	± -																
3 PLC	± -																
4 PLC	± -																
ANGLES	± -																
MATERIAL		APPLICATION SPEC	RESTRICTED TO														
FINISH		WEIGHT	CUSTOMER DRAWING		SCALE - SHEET 6 of 6 REV A												