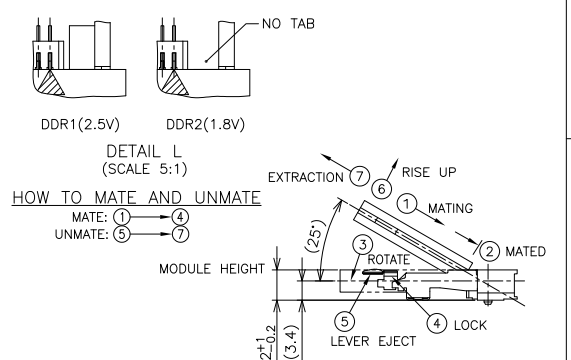
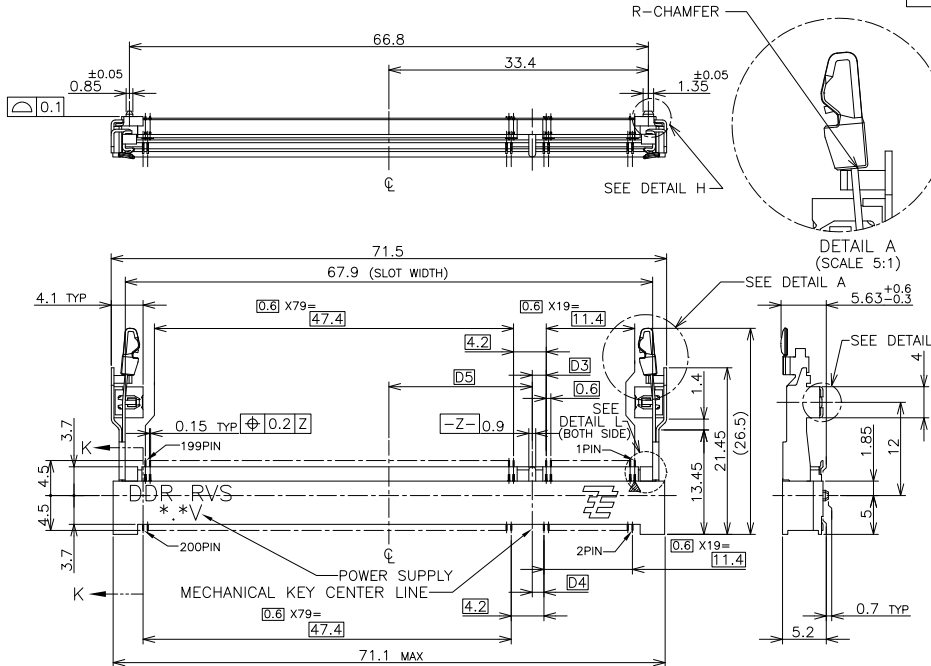
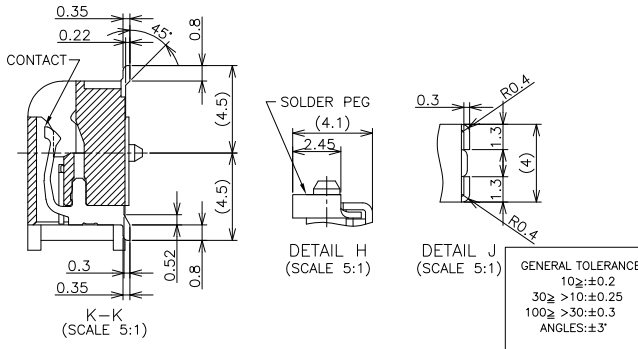


THIS DRAWING IS UNPUBLISHED. RELEASED FOR PUBLICATION OCT. 2001. ALL RIGHTS RESERVED.

LOC	DIST	REVISIONS				
P	LTR	DESCRIPTION	DATE	DWN	APVD	
	M2	REVISED PER ECO-11-005033	25MAR11	RK	HMR	



- (APPLIED TO SHEET 1-2)
- MATERIAL ; HOUSING: HIGH TEMPERATURE THERMO PLASTIC UL94V-0
CONTACT: COPPER ARROY
LOCK LEVER STAINLESS STEEL
SOLDER PEG: COPPER ARROY
 - FINISH ; CONTACT AREA: GOLD FLASH ON 0.0013MIN ALL OVER NICKEL.
SOLDERING AREA: GOLD FLASH PLT.
SOLDER PEG: TIN PLATING.
 - MECHANICAL KEY POSITION OF CONNECTOR SEE TABLE.
 - TOLERANCES NON-CUMULATIVE.
 - NOT TO SCALE.
 - INSIDE MUST BE RESIST COAT EXCEPT SOLDER PATTERN.
 - IF THE MODULE DOESN'T INSERT AND LOCK IN THE LATCH SMOOTHLY, OPEN WIDE BOTH LATCHES BY MANUAL. AND THE MODULE MUST BE INSERTED AND LOCKED IN THE LATCH.
 - FINISH ; CONTACT AREA: 0.00076 GOLD ON 0.0013MIN ALL OVER NICKEL.
SOLDERING AREA: GOLD FLASH PLT.
SOLDER PEG: TIN PLATING.



AVAILABLE	1.8V (DDR2)	17.55	2.4	2.7	200	1473150-6	
AVAILABLE	1.8V (DDR2)	17.55	2.4	2.7	200	1-1473150-4	
AVAILABLE	1.8V (DDR2)	17.55	2.4	2.7	200	1473150-4	
AVAILABLE	2.5V (DDR1)	18.45	1.5	1.8	200	1473150-1	
FINISH	TOOLING STATUS	POWER SUPPLY	D5	D4	D3	POS	PART NO.
THIS DRAWING IS A CONTROLLED DOCUMENT.							
DIMENSIONS:		TOLERANCES UNLESS OTHERWISE SPECIFIED:					
MM		0 PLC ±					
		1 PLC ±					
		2 PLC ±					
		3 PLC ±					
		4 PLC ±					
		ANGLES ±					
MATERIAL		FINISH					
WEIGHT		4.7g					
CUSTOMER DRAWING		SCALE 2:1 SHEET 1 of 4 REV M2					

1470-19 (3/11)

4

3

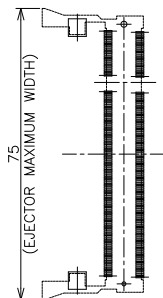
2

1

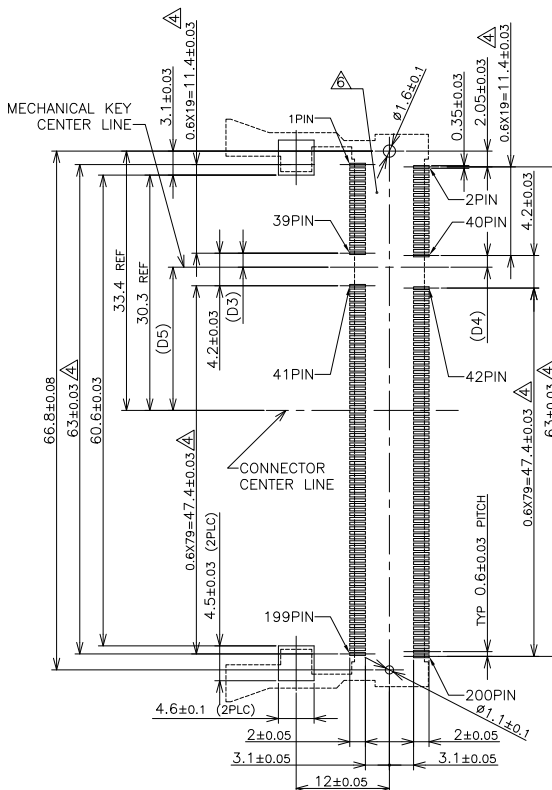
THIS DRAWING IS UNPUBLISHED. RELEASED FOR PUBLICATION OCT. 2001. ALL RIGHTS RESERVED.

LOC		DIST		REVISIONS				
P	LTR	DESCRIPTION	DATE	DWN	APVD			
-	-	SEE SHEET 1	-	-	-			

REFERENCE P.C.BOARD PATTERN LAYOUT (CONNECTOR MOUNTING SIDE)



REAL SIZE (SCALE 1:1)



1.8V	17.55	2.4	2.7
2.5V	18.45	1.5	1.8
POWER SUPPLY	D5	D4	D3

THIS DRAWING IS A CONTROLLED DOCUMENT.		DWN	TE Connectivity	
DIMENSIONS:		CHK		
MM		APVD		
		PRODUCT SPEC	NAME	
0 PLC ± 1 PLC ± 2 PLC ± 3 PLC ± 4 PLC ± ANGLES ±		APPLICATION SPEC	DDR1 & DDR2 SODIMM SOCKET	
MATERIAL		WEIGHT	0.6mm PITCH 200POS	
FINISH		CUSTOMER DRAWING	STANDARD PROFILE REVERSE TYPE (NEW LATCH TYPE)	
		SCALE 2:1	SHEET 2 of 4	REV M2

4

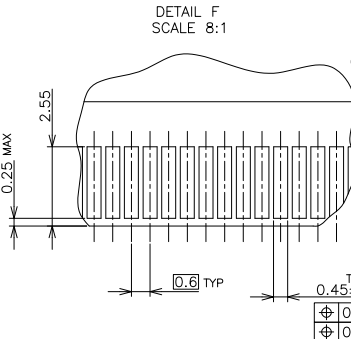
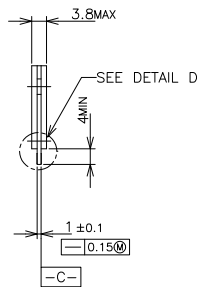
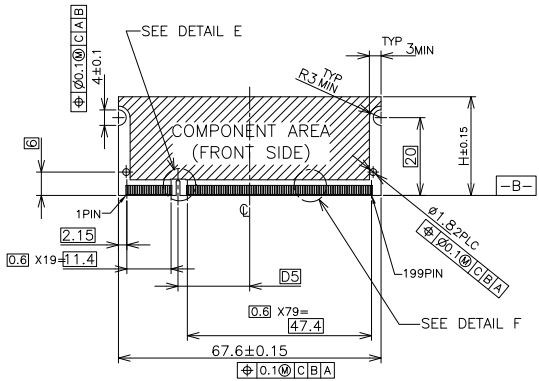
3

2

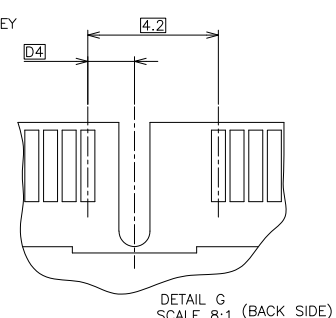
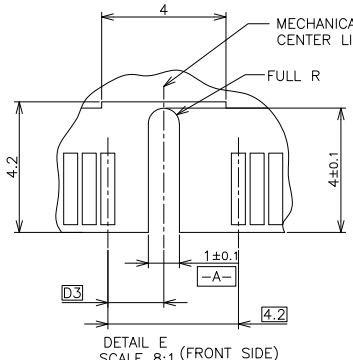
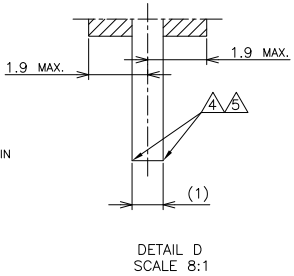
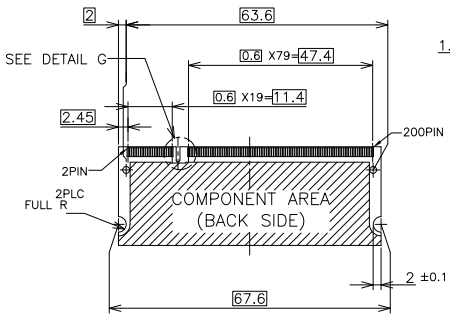
1

THIS DRAWING IS UNPUBLISHED. RELEASED FOR PUBLICATION OCT. 2001.
 © COPYRIGHT 2001 By - ALL RIGHTS RESERVED.

LOC		DIST		REVISIONS				
P	LTR	DESCRIPTION	DATE	DWN	APVD			
-	-	SEE SHEET 1	-	-	-			



- (APPLIED TO SHEET 3)
1. TOLERANCES ON ALL DIMENSIONS ±0.15 UNLESS OTHERWISE SPECIFIED.
 2. P.C. BOARD THICKNESS APPLIES ACROSS TABS AND INCLUDES PLATING AND/OR METALIZATION.
 3. FINISH OF PAD : GOLD PLATING 0.00076 MIN. OVER Ni PLATING 0.002MIN.
- △ NO BURR
 - △ CHAMFER 0.25 MAX x 45° IF EXIST.



RECOMMENDED MATING P.C.B CONFIGURATION

31.75	1.8V	17.55	2.4	2.7
25.4	2.5V	18.45	1.5	1.8
H	POWER SUPPLY	D5	D4	D3

THIS DRAWING IS A CONTROLLED DOCUMENT.

DIMENSIONS: MM	TOLERANCES UNLESS OTHERWISE SPECIFIED:	DWN	CHK	APVD	NAME
0 PLC ±	1 PLC ±				DDR1 & DDR2 SODIMM SOCKET
2 PLC ±	3 PLC ±				0.6mm PITCH 200POS
4 PLC ±	ANGLES ±				STANDARD PROFILE REVERSE TYPE (NEW LATCH TYPE)
MATERIAL	FINISH	PRODUCT SPEC	APPLICATION SPEC	WEIGHT	RESTRICTED TO
		CUSTOMER DRAWING	SCALE 2:1	SHEET 3 of 4	REV M2

STE TE Connectivity

SIZE A3 CAGE CODE 00779 DRAWING NO C-1473150

4

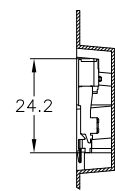
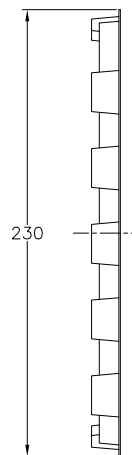
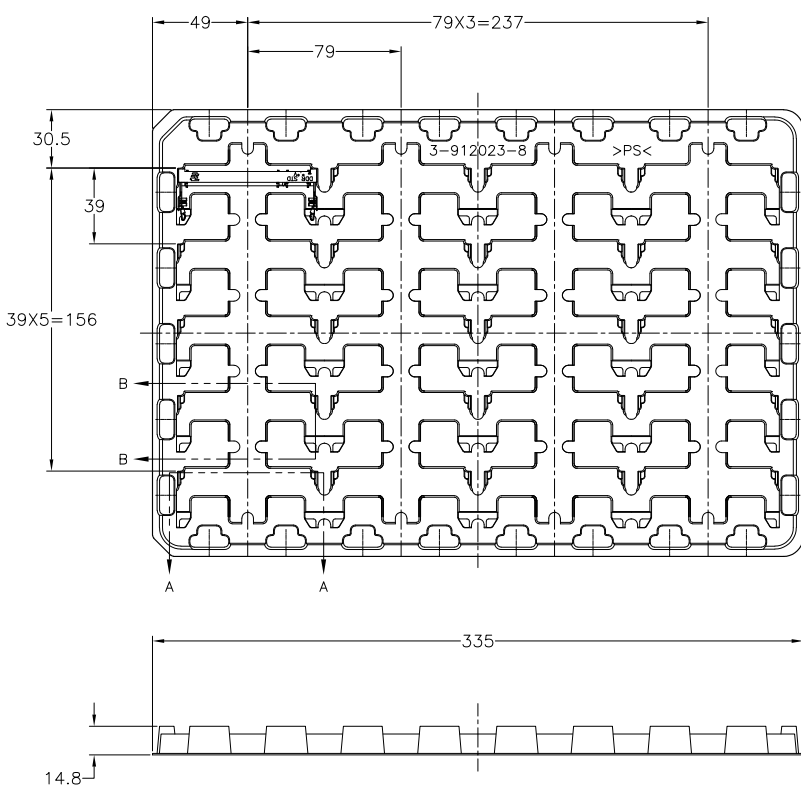
3

2

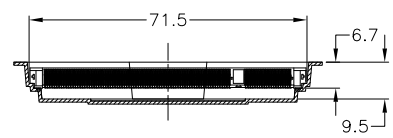
1

THIS DRAWING IS UNPUBLISHED. RELEASED FOR PUBLICATION OCT. 2001.
 © COPYRIGHT 2001 By - ALL RIGHTS RESERVED.

LOC	DIST	REVISIONS				
P	LTR	DESCRIPTION	DATE	DWN	APVD	
ES		SEE SHEET 1				



B-B
SCALE 2:1



A-A
SCALE 2:1
(180DEG. ROTATE)

DDR2	20EA/TRAY	1473150-6
DDR2	20EA/TRAY	1-1473150-4
DDR2	20EA/TRAY	1473150-4
DDR1	20EA/TRAY	1473150-1
REMARK	QTY	P/N

- (APPLIED TO SHEET 4)
1. THE DIRECTION OF EACH CONNECTOR ON A TRAY IS REFERRED TO THIS DRAWING.
 2. GENERAL TOLERANCE: ± 0.5

THIS DRAWING IS A CONTROLLED DOCUMENT.

DIMENSIONS: MM	TOLERANCES UNLESS OTHERWISE SPECIFIED: 0. PLC \pm 1. PLC \pm 2. PLC \pm 3. PLC \pm 4. PLC \pm ANGLES \pm	DWN CHK APVD PRODUCT SPEC APPLICATION SPEC WEIGHT	<p>TE Connectivity</p> <p>NAME DDR1 & DDR2 SODIMM SOCKET 0.6mm PITCH 200POS STANDARD PROFILE REVERSE TYPE (NEW LATCH TYPE)</p> <p>RESTRICTED TO</p>
MATERIAL	FINISH	CUSTOMER DRAWING	<p>SIZE CAGE CODE DRAWING NO</p> <p>A3 00779 C-1473150</p> <p>SCALE 1:2 SHEET 4 of 4 REV M2</p>