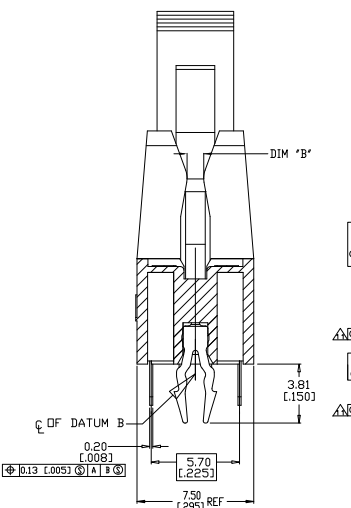
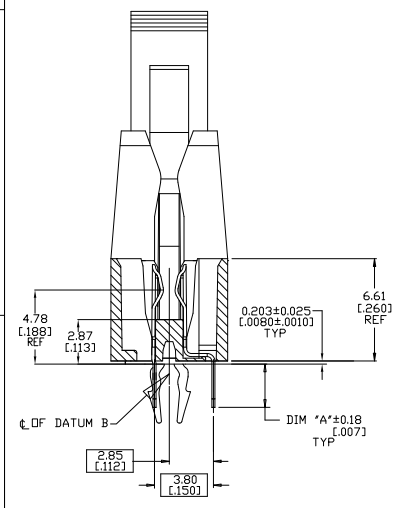
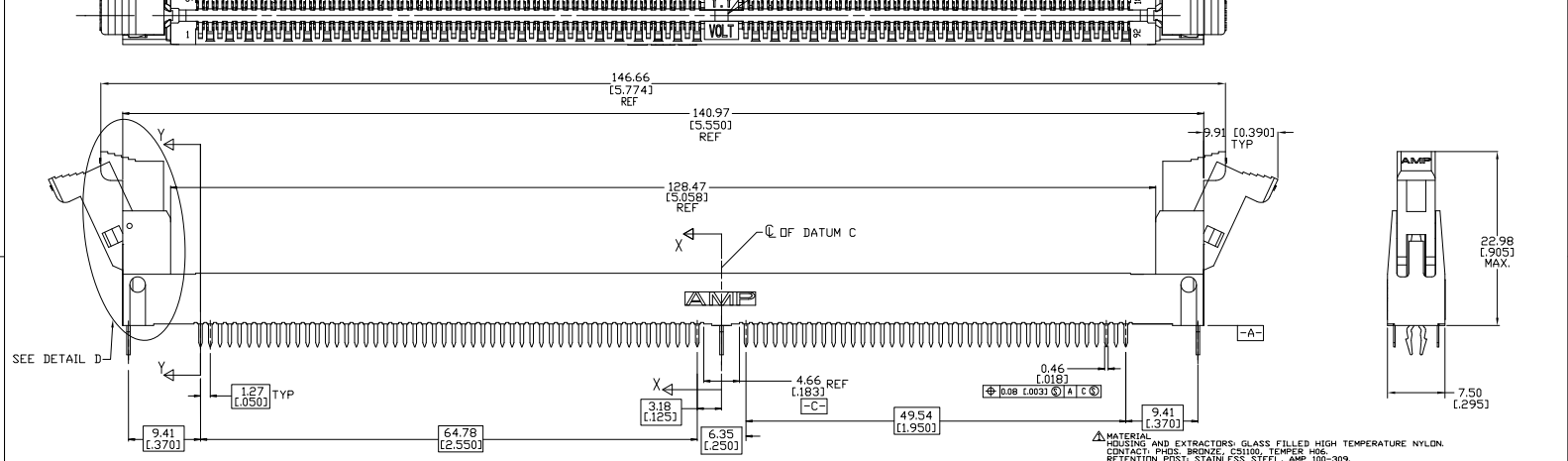


THIS DRAWING IS UNPUBLISHED.
 ALL RIGHTS RESERVED.

REV	DATE	BY	APP	REVISIONS
00				ISSUED FOR PRODUCTION
01				REVISED PER ECO-11-000033



MATERIAL - HOUSING AND EXTRACTORS: GLASS FILLED HIGH TEMPERATURE NYLON. CONTACT: PHOS. BRONZE C51100. TEMPER HDB. RETENTION POST: STAINLESS STEEL. AMP 100-309.

FINISH - CONTACT: NICKEL PLATE ALL OVER 0.00127-0.00190(0.000050-0.00075) THICK PER AMP SPEC 112-25-5. GOLD PLATE IN INTERFACE AREA 0.00038 (0.000015) MIN THICK PER AMP SPEC 112-25-3. LEAD-FREE MATTE TIN PLATE IN SOLDERTAIL AREA .00381-0.0635 (0.000150-0.00250) THICK PER AMP SPEC 112-25-1. PART NUMBER WILL NOT HAVE METAL RETENTION POSTS.

RETENTION POST: BRASS

EXTRACTOR - MATERIAL - GLASS-FILLED-HIGH-TEMPERATURE-NYLON - GOLD-BLACK -
 GOLD PLATE IN INTERFACE AREA 0.00076 (0.000030) MIN THICK PER AMP SPEC 112-162-5 OVER 0.00254 (0.000100) MIN THICK NICKEL PER AMP SPEC 112-25-3.
 SHIELDING - MATERIAL - GLASS-FILLED-HIGH-TEMPERATURE-NYLON - COLOR - BLUE-

PRELIMINARY - NOT RELEASED FOR PRODUCTION

GOLD PLATE IN INTERFACE AREA 0.00038 (0.000015) MIN THICK PER AMP SPEC 112-162-5 OVER 0.00254 (0.000100) MIN THICK NICKEL PER AMP SPEC 112-25-3
 MATTE TIN IN SOLDERTAIL AREA .00381-0.0635 (0.000150-0.00250) THICK PER AMP SPEC 112-25-1 OVER 0.00127-0.00510 (0.000050-0.00200) THICK NICKEL PER AMP SPEC 112-162-5 OVER 0.00254 (0.000100) MIN THICK NICKEL PER AMP SPEC 112-25-3
 GOLD FLASH IN SOLDERTAIL AREA PER AMP SPEC 112-162-5 OVER 0.0027 THICK NICKEL PER AMP SPEC 112-25-2

OBsolete PARTS: OBSOLETE CIS STREAMLINING PER DRENAUD/BSINIS

Δ	NATURAL	BLUE	1.07	[0.42]	2.79	[1.10]	DETAIL B	184	POSN.	DIMMCP	2.5V.	PRE-PLATED CONTACTS	9-5990241-1
	BLACK	BLACK	1.07	[0.42]	3.81	[1.50]	DETAIL B	184	POSN.	DIMMCP	2.5V.	POST-PLATE CONTACTS	0-5990241-2
	NATURAL	BLACK	1.07	[0.42]	3.81	[1.50]	DETAIL B	184	POSN.	DIMMCP	2.5V.	POST-PLATE CONTACTS	0-5990241-3
	NATURAL	BLACK	1.07	[0.42]	4.26	[1.68]	DETAIL B	184	POSN.	DIMMCP	2.5V.	30 GOLD PLATED CONTACTS	6-5990241-1
	NATURAL	BLACK	1.07	[0.42]	2.79	[1.10]	DETAIL A	184	POSN.	DIMMCP	2.5V.	PRE-PLATED CONTACTS	3-5990241-3
	NATURAL	BLACK	1.07	[0.42]	2.79	[1.10]	DETAIL A	184	POSN.	DIMMCP	1.8V.	PRE-PLATED CONTACTS	1-5990241-2
	NATURAL	BLACK	1.07	[0.42]	2.79	[1.10]	DETAIL B	184	POSN.	DIMMCP	2.5V.	TAIL GOLD FLASH CONTACTS	1-5990241-0
	BLACK	BLACK	1.47	[0.58]	2.79	[1.10]	DETAIL B	184	POSN.	DIMMCP	2.5V.	PRE-PLATED CONTACTS	4-5990241-5
	NATURAL	BLACK	1.07	[0.42]	3.30	[1.30]	DETAIL B	184	POSN.	DIMMCP	2.5V.	PRE-PLATED CONTACTS	5990241-8
	NATURAL	BLACK	1.07	[0.42]	2.79	[1.10]	DETAIL B	184	POSN.	DIMMCP	2.5V.	PRE-PLATED CONTACTS	4-5990241-9
	NATURAL	BLACK	1.07	[0.42]	2.79	[1.10]	DETAIL A	184	POSN.	DIMMCP	1.8V.	PRE-PLATED CONTACTS	5990241-2
	NATURAL	BLACK	1.07	[0.42]	2.79	[1.10]	DETAIL B	184	POSN.	DIMMCP	2.5V.	PRE-PLATED CONTACTS	5990241-1

EXTRACTOR COLOR	HOUSING COLOR	DIM 'B'	SOLDERTAIL LENGTH DIM 'A'	KEY POSITION	DESCRIPTION	PART NUMBER

SECTION Y-Y
 CIRCUITS 1 AND 93
 SCALE 8:1

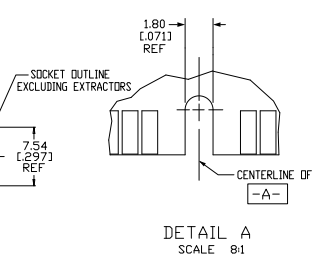
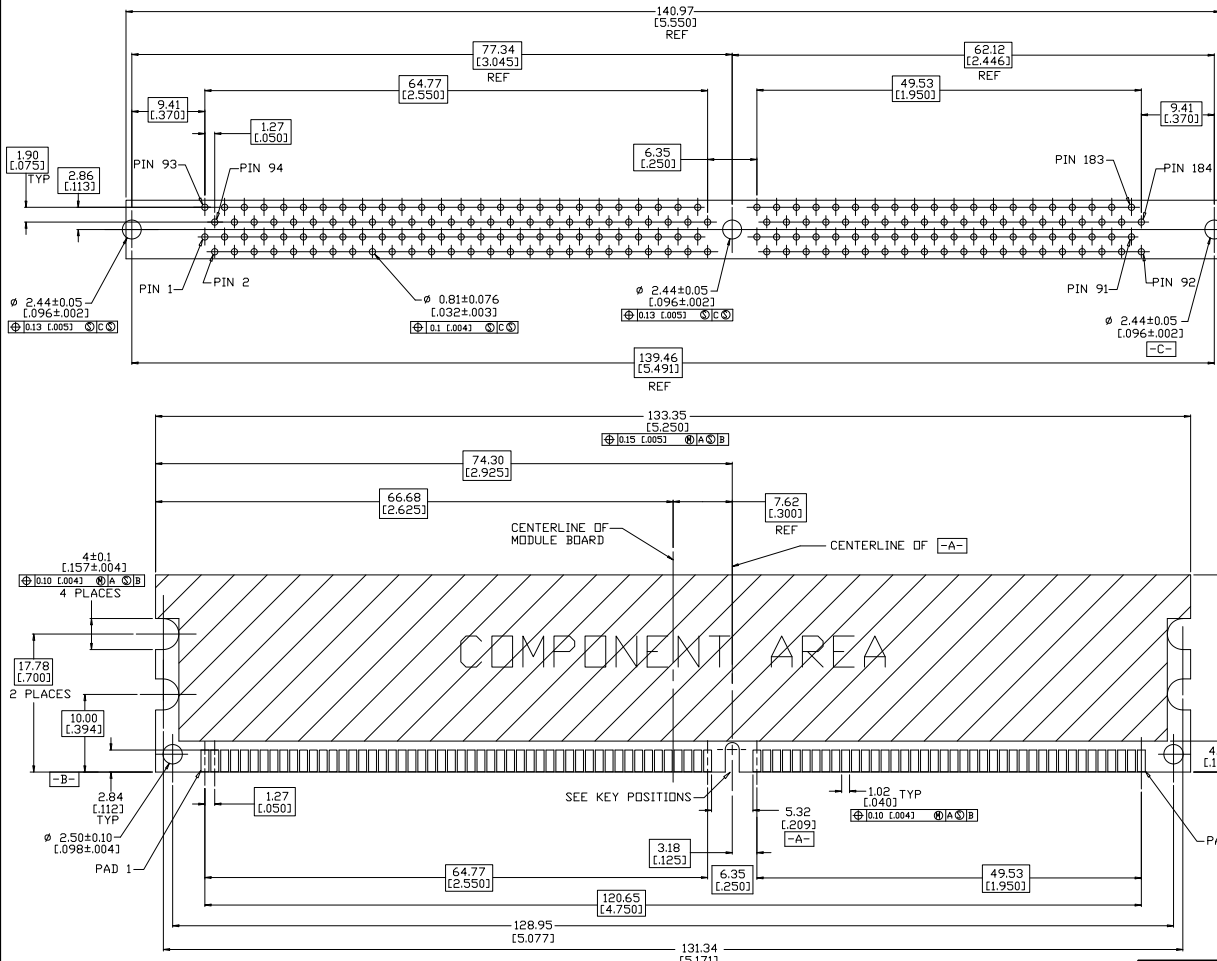
SECTION X-X
 SCALE 8:1

THIS DRAWING IS A CONTROLLED DOCUMENT.

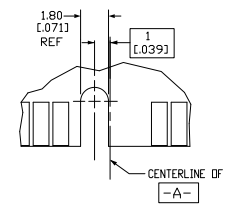
DESIGNED BY	APPROVED BY	DATE	REV
DRWING	CHKING	108-1753	
		114-1115	

TE Connectivity
 SOCKET ASSEMBLY, DIMMCP
 184 POSITION, DDR

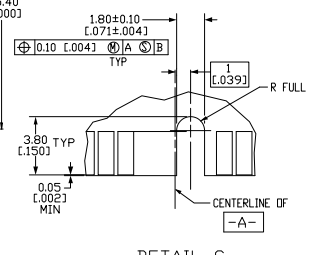
CUSTOMER DRAWING



DETAIL A
SCALE 8:1



DETAIL B
SCALE 8:1



DETAIL C
SCALE 8:1

COMPONENT AREA

RECOMMENDED MODULE LAYOUT
 SEE JEDEC SPEC MD-206 FOR COMPLETE MODULE DETAILS
 1.27±0.10 [0.050±0.004] THICK ACROSS CONTACT PADS

THIS DRAWING IS A CONTROLLED DOCUMENT.				TE Connectivity SOCKET ASSEMBLY, DIMAZP 184 POSITION, DDR	
DRAWN: [Symbol] CHECKED: [Symbol]	DESIGNED: [Symbol] VERIFIED: [Symbol]	DATE: 11-11-15 DRAWING NO: 108-1753	REV: [Symbol]	DATE: 11-11-15 DRAWING NO: 108-1753	REV: [Symbol]
CUSTOMER DRAWING			DATE: 11-11-15 DRAWING NO: 108-1753 REV: [Symbol]		