

4

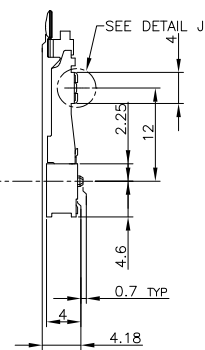
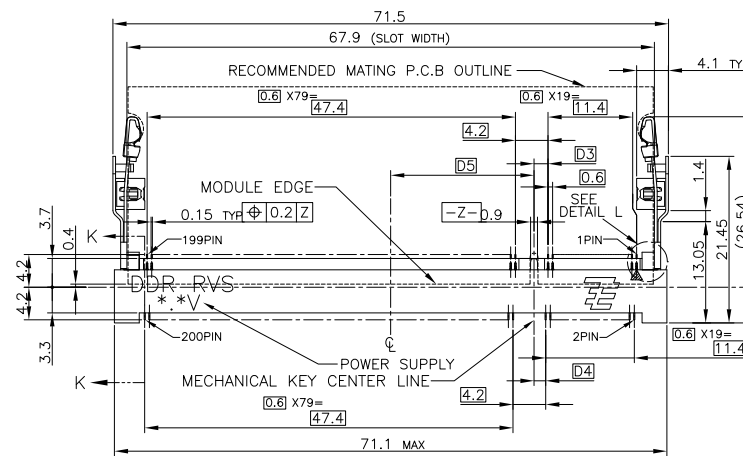
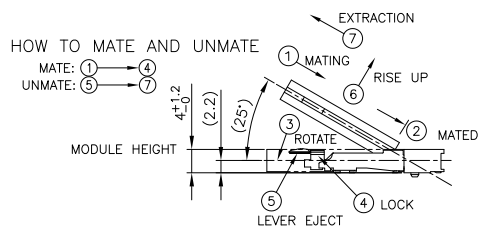
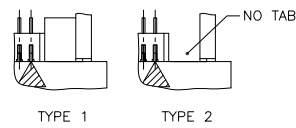
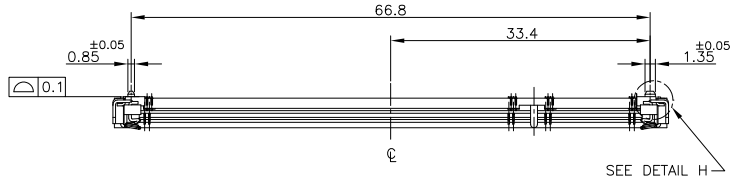
3

2

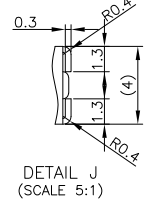
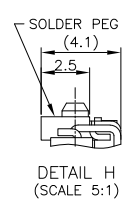
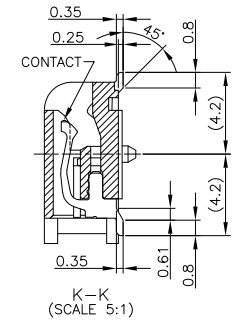
1

THIS DRAWING IS UNPUBLISHED. RELEASED FOR PUBLICATION OCT. 2001.
 © COPYRIGHT 2001 BY TYCO ELECTRONICS CORPORATION. ALL RIGHTS RESERVED.

LOC		DIST		REVISIONS			
P	LTR	DESCRIPTION		DATE	DWN	APVD	
G1		ECR-10-014684		22JUL10	B.W	S.Y	



- (APPLIED TO SHEET 1-2)
- MATERIAL ; HOUSING: HIGH TEMPERATURE THERMO PLASTIC UL94V-0
CONTACT: COPPER ARROY
LOCK LEVER STAINLESS STEEL
SOLDER PEG: COPPER ARROY
 - FINISH ; CONTACT AREA: GOLD FLASH ON 0.0013MIN ALL OVER NICKEL
SOLDERING AREA: GOLD FLASH PLT.
SOLDER PEG: TIN PLATING.
 - MECHANICAL KEY POSITION OF CONNECTOR SEE TABLE.
 - TOLERANCES NON-CUMULATIVE.
 - NOT TO SCALE.
 - INSIDE MUST BE RESIST COAT EXCEPT SOLDER PATTERN.
 - IF THE MODULE DOESN'T INSERT AND LOCK IN THE LATCH SMOOTHLY, OPEN WIDE BOTH LATCHES BY MANUAL. AND THE MODULE MUST BE INSERTED AND LOCKED IN THE LATCH.



TYPE	AVAILABLE	BOSSLESS	1.8V (DDR2)	17.55	2.4	2.7	200	1-1565692-4
TYPE 2	AVAILABLE	H	1.8V (DDR2)	17.55	2.4	2.7	200	1565692-4
TYPE 1	AVAILABLE	BOSSLESS	2.5V (DDR1)	18.45	1.5	1.8	200	1-1565692-1
TYPE 1	AVAILABLE	H	2.5V (DDR1)	18.45	1.5	1.8	200	1565692-1
TAB TYPE	TOOLING STATUS	REMARK	POWER SUPPLY (TYPE)	D5	D4	D3	POS	PART NO.

THIS DRAWING IS A CONTROLLED DOCUMENT.

DIMENSIONS: MM

TOLERANCES UNLESS OTHERWISE SPECIFIED:
 0 PLC ±0.3
 1 PLC ±0.3
 2 PLC ±0.3
 3 PLC ±0.3
 4 PLC ±0.3
 ANGLES ±3°

DWN: T.FUMIKURA 09NOV01
 CHK: H.KODAMA 09NOV01
 APVD: H.KODAMA 09NOV01

NAME: Tyco Electronics AMP K.K. Kawasaki, Japan

PRODUCT SPEC: 108-5701

APPLICATION SPEC: DDR1 & DDR2 SODIMM SOCKET 0.6mm PITCH 200POS LOW PROFILE REVERSE TYPE

SIZE: A3 CAGE CODE: 00779 DRAWING NO: 1565692 RESTRICTED TO

WEIGHT: 3.2 g

CUSTOMER DRAWING SCALE: 2:1 SHEET 1 OF 4 REV G1

AMP 1470-19 REV 31MAR2000

4

3

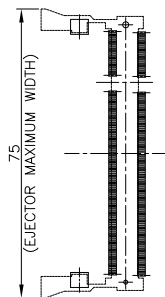
2

1

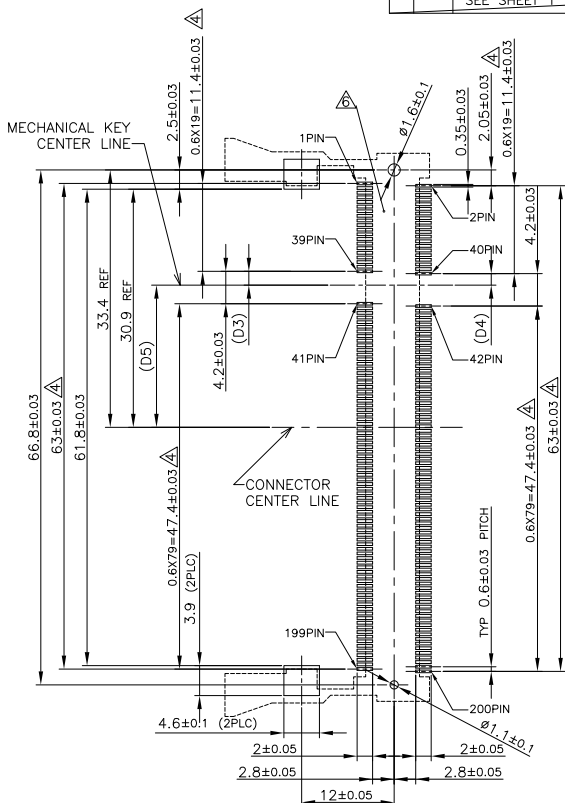
THIS DRAWING IS UNPUBLISHED. RELEASED FOR PUBLICATION OCT., 2001.
 © COPYRIGHT 2001 BY TYCO ELECTRONICS CORPORATION. ALL RIGHTS RESERVED.

LOC		DIST		REVISIONS				
P	LTR	DESCRIPTION	DATE	DWN	APVD			
-	-	SEE SHEET 1	-	-	-			

REFERENCE P.C. BOARD PATTERN LAYOUT
 (CONNECTOR MOUNTING SIDE)



REAL SIZE (SCALE 1:1)



1.8V	17.55	2.4	2.7
2.5V	18.45	1.5	1.8
POWER SUPPLY	D5	D4	D3

THIS DRAWING IS A CONTROLLED DOCUMENT.		DWN	Tyco Electronics Kawasaki, Japan	
DIMENSIONS: MM	TOLERANCES UNLESS OTHERWISE SPECIFIED	CHK	NAME	
0 PLC ±	1.2 PLC ±	APVD	DDR1 & DDR2 SODIMM SOCKET	
1.2 PLC ±	1.5 PLC ±	PRODUCT SPEC	0.6mm PITCH 200POS	
1.5 PLC ±	2.0 PLC ±	APPLICATION SPEC	LOW PROFILE REVERSE TYPE	
2.0 PLC ±	3.0 PLC ±	WEIGHT	SIZE	CAGE CODE
3.0 PLC ±	4.0 PLC ±	CUSTOMER DRAWING	A3	00779
4.0 PLC ±	ANGLES ±	SCALE	DRAWING NO	
FINISH		2:1	C=1565692	
		SHEET	2	OF 4
		REV	G1	

4

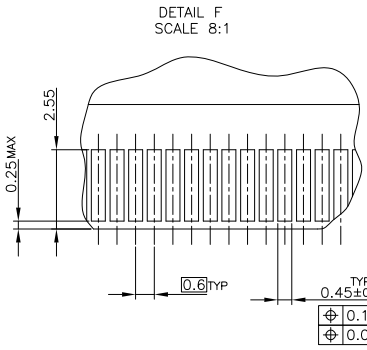
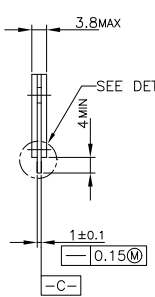
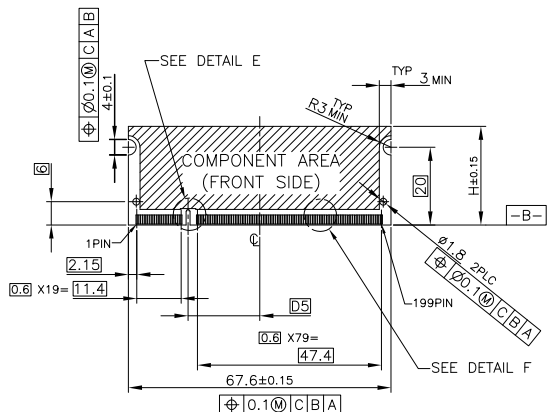
3

2

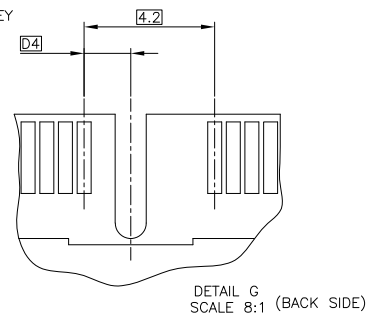
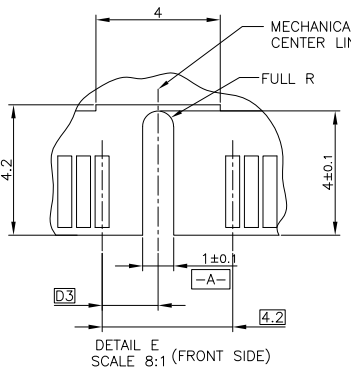
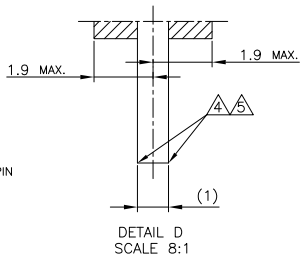
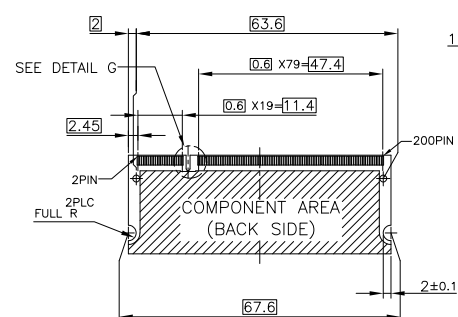
1

THIS DRAWING IS UNPUBLISHED. RELEASED FOR PUBLICATION OCT. 2001.
 COPYRIGHT 2001 BY TYCO ELECTRONICS CORPORATION. ALL RIGHTS RESERVED.

LOC	DIST	REVISIONS				
P	LTR	DESCRIPTION	DATE	DWN	APVD	
-	-	SEE SHEET 1	-	-	-	



- (APPLIED TO SHEET 3)
1. TOLERANCES ON ALL DIMENSIONS ±0.15 UNLESS OTHERWISE SPECIFIED.
 2. P.C.BOARD THICKNESS APPLIES ACROSS TABS AND INCLUDES PLATING AND/OR METALIZATION.
 3. FINISH OF PAD : GOLD PLATING 0.00076 MIN. OVER Ni PLATING 0.002MIN.
- ▲ NO BURR
 ▲ CHAMFER 0.25 MAX x 45° IF EXIST.



RECOMMENDED MATING P.C.B CONFIGURATION

31.75	1.8V	17.55	2.4	2.7
25.4	2.5V	18.45	1.5	1.8
H	POWER SUPPLY	D5	D4	D3

THIS DRAWING IS A CONTROLLED DOCUMENT.		DWN	
DIMENSIONS: MM		CHK	
TOLERANCES UNLESS OTHERWISE SPECIFIED:		APVD	
0 PLC	±	PRODUCT SPEC	
1 PLC	±	APPLICATION SPEC	
2 PLC	±	WEIGHT	
3 PLC	±	CUSTOMER DRAWING	
4 PLC	±		
ANGLES	±		
MATERIAL	FINISH		

Tyco Electronics		Tyco Electronics AMP K.K. Kawasaki, Japan		
NAME: DDR1 & DDR2 SODIMM SOCKET 0.6mm PITCH 200POS LOW PROFILE REVERSE TYPE				
SIZE	CAGE CODE	DRAWING NO	RESTRICTED TO	
A3	00779	C=1565692	-	
SCALE: 2:1		SHEET: 3	OF: 4	REV: G1

4

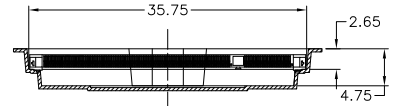
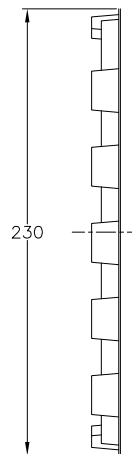
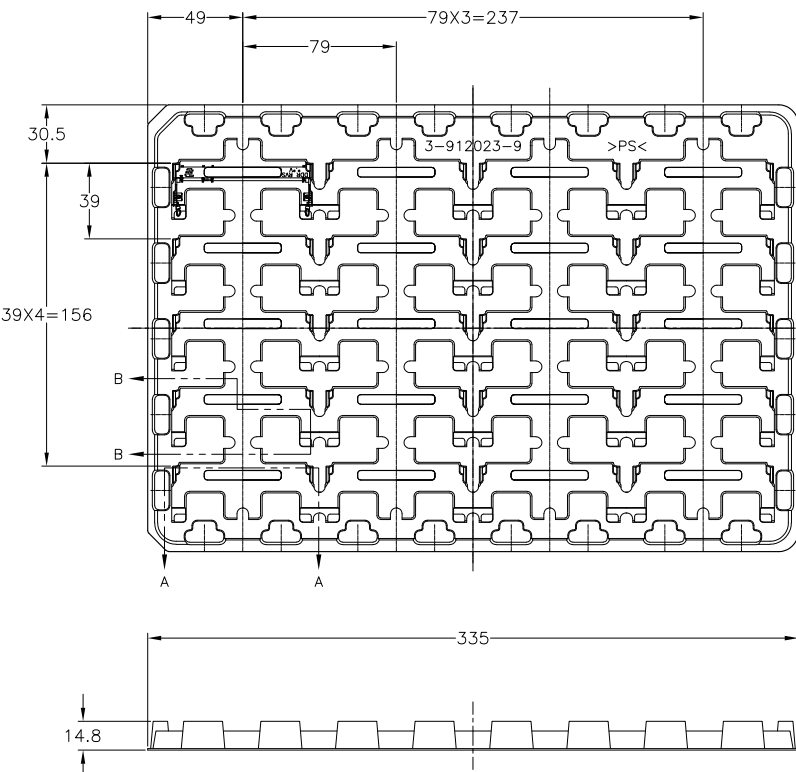
3

2

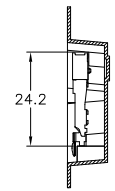
1

THIS DRAWING IS UNPUBLISHED. RELEASED FOR PUBLICATION OCT. 2001.
 © COPYRIGHT 2001 BY TYCO ELECTRONICS CORPORATION. ALL RIGHTS RESERVED.

LOC		DIST		REVISIONS				
P	LTR	DESCRIPTION		DATE	DWN	APVD		
-	-			-	-	-		



A-A
SCALE 2:1
(180DEG. ROTATE)



B-B
SCALE 2:1

1.8V (DDR2)	20EA/TRAY	1-1565692-4
1.8V (DDR2)	20EA/TRAY	1565692-4
2.5V (DDR1)	20EA/TRAY	1-1565692-1
2.5V (DDR1)	20EA/TRAY	1565692-1
POWER SUPPLY (TYPE)	QTY	P/N

- (APPLIED TO SHEET 4)
1. THE DIRECTION OF EACH CONNECTOR ON A TRAY IS REFERRED TO THIS DRAWING.
 2. GENERAL TOLERANCE: ±0.5

THIS DRAWING IS A CONTROLLED DOCUMENT.		DWN	Tyco Electronics AMP K.K. Kawasaki, Japan	
DIMENSIONS:	TOLERANCES UNLESS OTHERWISE SPECIFIED:	CHK	NAME	
MM	0 PLC ±	APVD	DDR1 & DDR2 SODIMM SOCKET	
	1 PLC ±	PRODUCT SPEC	0.6mm PITCH 200POS	
	2 PLC ±	APPLICATION SPEC	LOW PROFILE REVERSE TYPE	
	3 PLC ±	WEIGHT	SIZE	CAGE CODE
	4 PLC ±		A3	00779
	4 PCC ±		DRAWING NO	1565692
	ANGLES ±		RESTRICTED TO	
MATERIAL	FINISH	CUSTOMER DRAWING	SCALE	SHEET
			1:2	4 OF 4
				REV G1

AMP 1470-19 REV 31MAR2000