

4

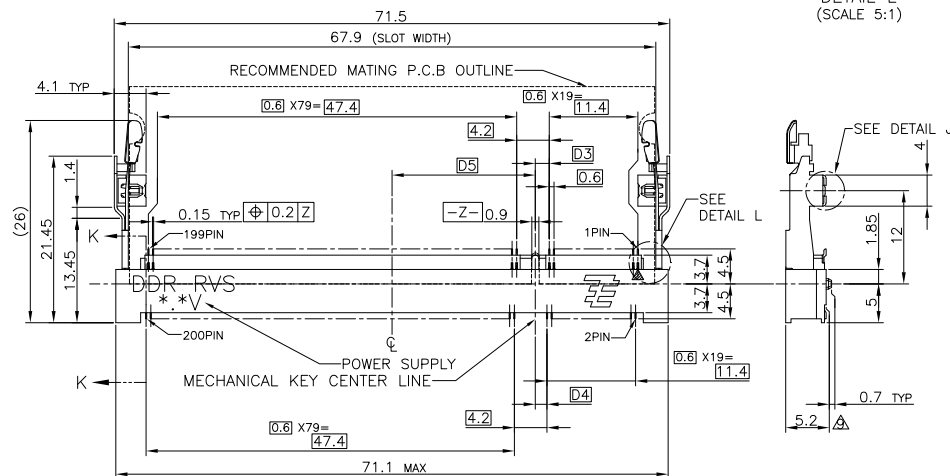
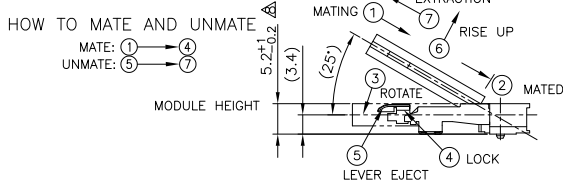
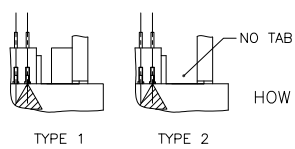
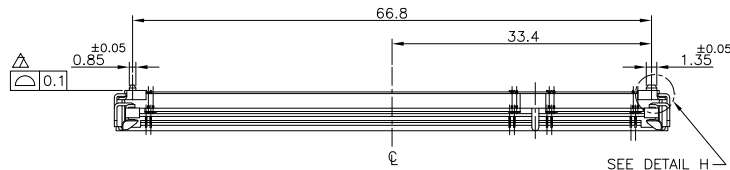
3

2

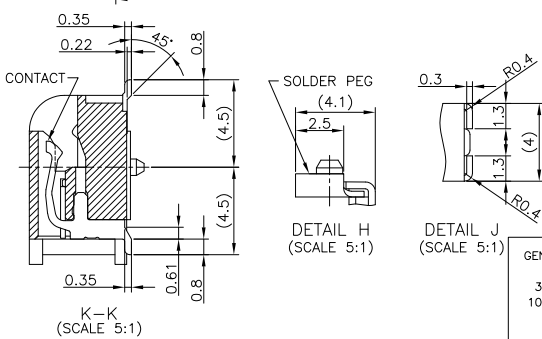
1

THIS DRAWING IS UNPUBLISHED. RELEASED FOR PUBLICATION NOV. 2001.
 ALL RIGHTS RESERVED.

| LOC | DIST | REVISIONS | | | |
|-----|------|---------------|---------|-----|------|
| P | LTR | DESCRIPTION | DATE | DWN | APVD |
| D1 | | ECR-10-014776 | 20JUL10 | B.W | S.Y |



- (APPLIED TO SHEET 1-2)
- MATERIAL ; HOUSING: HIGH TEMPERATURE THERMO PLASTIC UL94V-0
 CONTACT: COPPER ARROY
 LOCK LEVER: STAINLESS STEEL
 SOLDER PEG: COPPER ARROY
 - FINISH ; CONTACT AREA: GOLD FLASH ON 0.0013MIN ALL OVER NICKEL.
 SOLDERING AREA: GOLD FLASH PLT.
 SOLDER PEG: TIN PLATING.
- MECHANICAL KEY POSITION OF CONNECTOR SEE TABLE.
 - TOLERANCES NON-CUMULATIVE.
 - NOT TO SCALE.
 - INSIDE MUST BE RESIST COAT EXCEPT SOLDER PATTERN.
 - COPLANARITY : 0.1 MAX.
 - THE FLOATING VALUE BY SOLDERING IS NOT INCLUDED.
 - NOT MATING CONDITION.
 - IF THE MODULE DOESN'T INSERT AND LOCK IN THE LATCH SMOOTHLY, OPEN WIDE BOTH LATCHES BY MANUAL AND THE MODULE MUST BE INSERTED AND LOCKED IN THE LATCH.



GENERAL TOLERANCE
 10 ≥ ±0.2
 30 ≥ >10: ±0.25
 100 ≥ >30: ±0.3
 ANGLES: ±3°

| TYPE 2 | AVAILABLE | —H— | 1.8V (DDR2) | 17.55 | 2.4 | 2.7 | 200 | 1717379-4 |
|----------|----------------|--------|---------------------|-------|-----|-----|-----|-----------|
| TYPE 1 | AVAILABLE | —H— | 2.5V (DDR1) | 18.45 | 1.5 | 1.8 | 200 | 1717379-1 |
| TAB TYPE | TOOLING STATUS | REMARK | POWER SUPPLY (TYPE) | D5 | D4 | D3 | POS | PART NO. |

| | | | |
|--|---|--------------------------|--|
| THIS DRAWING IS A CONTROLLED DOCUMENT. | | DWN B.WONG 20JUL10 | Tyco Electronics AMP K.K. Kawasaki, Japan |
| DIMENSIONS: | TOLERANCES UNLESS OTHERWISE SPECIFIED: | CHK C.WANG 20JUL10 | |
| MM | 0 PLC ± 1 PLC ± 2 PLC ± 3 PLC ± 4 PLC ± ANGLES ± | APVD S.YAO 20JUL10 | |
| MATERIAL | FINISH | NAME S.YAO | |
| | | PRODUCT SPEC 108-5701 | DDR1 & DDR2 SODIMM SOCKET 0.6mm PITCH 200POS STANDARD PROFILE REVERSE TYPE |
| | | APPLICATION SPEC | SIZE CAGE CODE DRAWING NO RESTRICTED TO A3 00779 C-1717379 |
| | | WEIGHT 4.7g | CUSTOMER DRAWING SCALE 2:1 SHEET 1 OF 4 REV D1 |

4

3

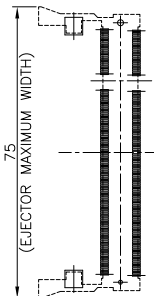
2

1

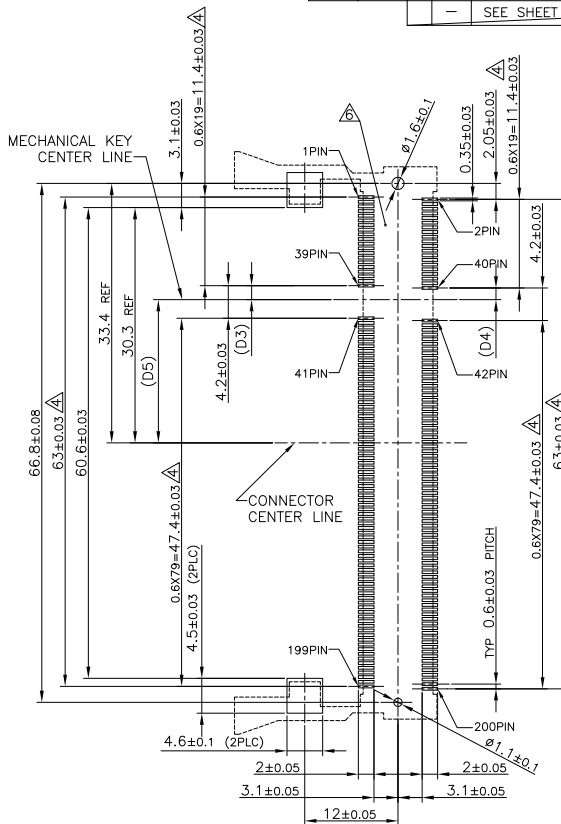
THIS DRAWING IS UNPUBLISHED. RELEASED FOR PUBLICATION NOV. 2001. COPYRIGHT 2001 BY TYCO ELECTRONICS CORPORATION. ALL RIGHTS RESERVED.

| LOC | DIST | REVISIONS | | | | | |
|-----|------|-----------|-----|-------------|------|-----|------|
| J | | P | LTR | DESCRIPTION | DATE | DWN | APVD |
| | | - | - | SEE SHEET 1 | - | - | - |

REFERENCE P.C. BOARD PATTERN LAYOUT (CONNECTOR MOUNTING SIDE)



REAL SIZE (SCALE 1:1)



| | | | |
|--------------|-------|-----|-----|
| 1.8V | 17.55 | 2.4 | 2.7 |
| 2.5V | 18.45 | 1.5 | 1.8 |
| POWER SUPPLY | D5 | D4 | D3 |

| | | | | |
|--|--|------------------|--|---------------|
| THIS DRAWING IS A CONTROLLED DOCUMENT. | | DWN | Tyco Electronics Tyco Electronics AMP K.K. Kawasaki, Japan | |
| DIMENSIONS: | TOLERANCES UNLESS OTHERWISE SPECIFIED: | CHK | NAME | RESTRICTED TO |
| MM | 0 PLC ± | APVD | DDR1 & DDR2 SODIMM SOCKET | |
| | 1 PLC ± | PRODUCT SPEC | 0.6mm PITCH 200POS | |
| | 2 PLC ± | APPLICATION SPEC | STANDARD PROFILE REVERSE TYPE | |
| | 3 PLC ± | WEIGHT | SIZE | CAGE CODE |
| | 4 PLC ± | | A3 | 00779 |
| | 4 PCC ± | | DRAWING NO | 1717379 |
| | ANGLES ± | | SCALE | 2:1 |
| MATERIAL | FINISH | CUSTOMER DRAWING | SHEET | 2 OF 4 |
| | | | REV | D1 |

4

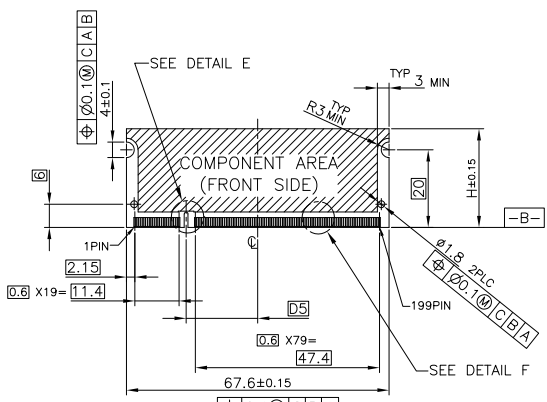
3

2

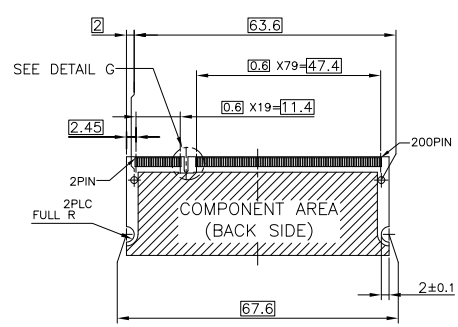
1

THIS DRAWING IS UNPUBLISHED. RELEASED FOR PUBLICATION NOV. 2001.
 © COPYRIGHT 2001 BY TYCO ELECTRONICS CORPORATION. ALL RIGHTS RESERVED.

| LOC | DIST | REVISIONS | | | | |
|-----|------|-------------|------|-----|------|--|
| P | LTR | DESCRIPTION | DATE | DWN | APVD | |
| - | - | SEE SHEET 1 | - | - | - | |



- (APPLIED TO SHEET 3)
- TOLERANCES ON ALL DIMENSIONS ±0.15 UNLESS OTHERWISE SPECIFIED.
 - P.C. BOARD THICKNESS APPLIES ACROSS TABS AND INCLUDES PLATING AND/OR METALIZATION.
 - FINISH OF PAD : GOLD PLATING 0.00076 MIN. OVER Ni PLATING 0.002MIN.
- ▲ NO BURR
 ▲ CHAMFER 0.25 MAX x 45° IF EXIST.



RECOMMENDED MATING P.C.B CONFIGURATION

THIS DRAWING IS A CONTROLLED DOCUMENT.

| | | | | | | | |
|-------------|--|------------------|--|--------------|------------|---------------|-----|
| DIMENSIONS: | TOLERANCES UNLESS OTHERWISE SPECIFIED: | DWN | 31.75 | 1.8V | 17.55 | 2.4 | 2.7 |
| MM | 0 PLC ± | CHK | 25.4 | 2.5V | 18.45 | 1.5 | 1.8 |
| | 1 PLC ± | APVD | H | POWER SUPPLY | D5 | D4 | D3 |
| | 2 PLC ± | PRODUCT SPEC | Tyco Electronics AMP K.K. Kawasaki, Japan | | | | |
| | 3 PLC ± | APPLICATION SPEC | NAME: DDR1 & DDR2 SODIMM SOCKET 0.6mm PITCH 200POS STANDARD PROFILE REVERSE TYPE | | | | |
| MATERIAL | 4. PLC ± | WEIGHT | SIZE | CAGE CODE | DRAWING NO | RESTRICTED TO | |
| | ANGLES ± | | A3 | 00779 | C-1717379 | | |
| | FINISH | CUSTOMER DRAWING | SCALE | SHEET | OF | REV | |
| | | | 2:1 | 3 | 4 | D1 | |

4

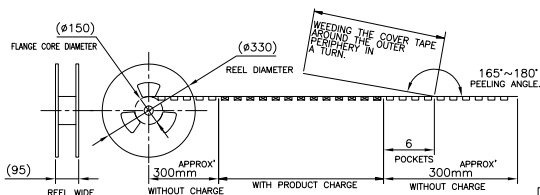
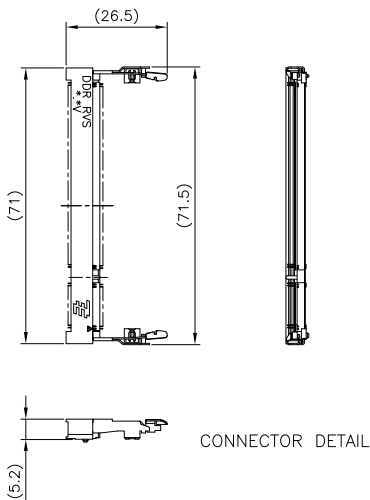
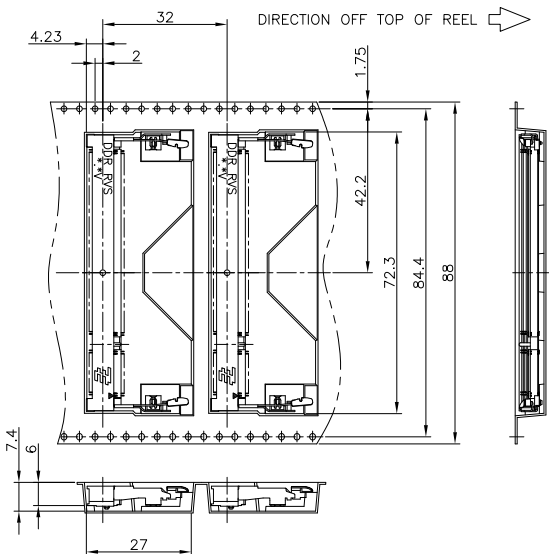
3

2

1

THIS DRAWING IS UNPUBLISHED. RELEASED FOR PUBLICATION NOV. 2001.
 © COPYRIGHT 2001 BY TYCO ELECTRONICS CORPORATION. ALL RIGHTS RESERVED.

| LOC | DIST | REVISIONS | | | | |
|-----|------|-------------|------|-----|------|--|
| P | LTR | DESCRIPTION | DATE | DWN | APVD | |
| - | - | SEE SHEET 1 | - | - | - | |



| | | |
|---------------------|------------|-----------|
| 1.8V (DDR2) | 150EA/REEL | 1717379-4 |
| 2.5V (DDR1) | 150EA/REEL | 1717379-1 |
| POWER SUPPLY (TYPE) | QTY | P/N |

| | | | | |
|--|--|------------------|--|---------------|
| THIS DRAWING IS A CONTROLLED DOCUMENT. | | DWN | Tyco Electronics AMP K.K. Kawasaki, Japan | |
| DIMENSIONS: | TOLERANCES UNLESS OTHERWISE SPECIFIED: | CHK | NAME | |
| MM | 0 PLC ± | APVD | DDR1 & DDR2 SODIMM SOCKET | |
| | 1 PLC ± | PRODUCT SPEC | 0.6mm PITCH 200POS | |
| | 2 PLC ± | APPLICATION SPEC | STANDARD PROFILE REVERSE TYPE | |
| | 3 PLC ± | WEIGHT | SIZE | RESTRICTED TO |
| | 4 PLC ± | CUSTOMER DRAWING | A3 | |
| MATERIAL | FINISH | CAGE CODE | DRAWING NO | |
| | | 00779 | 1717379 | |
| | | SCALE | SHEET | REV |
| | | 1:1 | 4 OF 4 | D1 |