

4

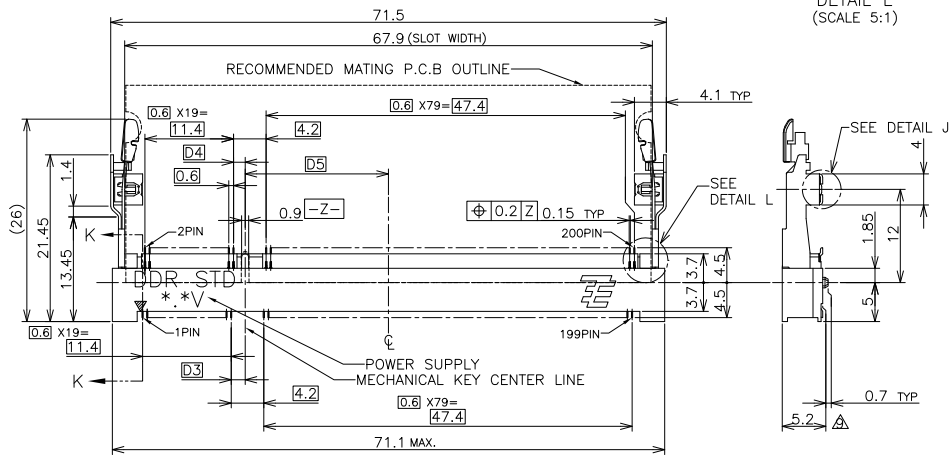
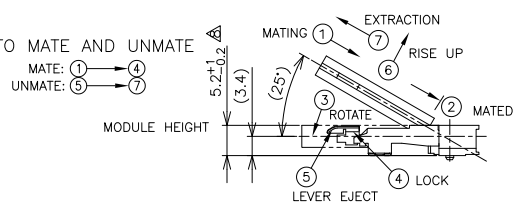
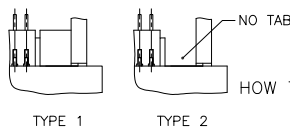
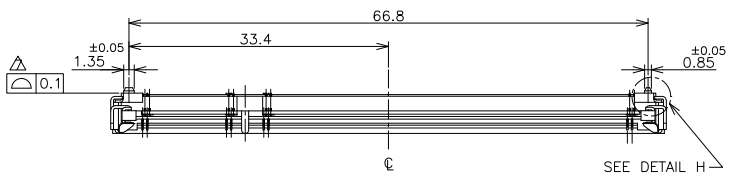
3

2

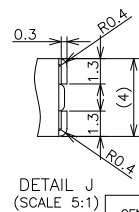
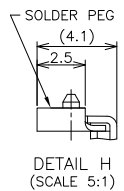
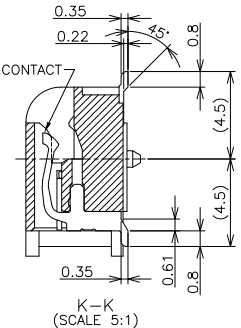
1

THIS DRAWING IS UNPUBLISHED. RELEASED FOR PUBLICATION NOV. 2001.
 COPYRIGHT 2001 BY TYCO ELECTRONICS CORPORATION. ALL RIGHTS RESERVED.

LOC		DIST		REVISIONS			
P	LTR	DESCRIPTION		DATE	DWN	APVD	
	D1	ECR-10-014669		13JUL10	B.W	S.Y	



- (APPLIED TO SHEET 1-2)
- MATERIAL ; HOUSING: HIGH TEMPERATURE THERMO PLASTIC UL94V-0
 CONTACT: COPPER ARROY
 LOCK LEVER: STAINLESS STEEL
 SOLDER PEG: COPPER ARROY
 - FINISH ; CONTACT AREA: GOLD FLASH ON 0.0013MIN ALL OVER NICKEL.
 SOLDERING AREA: GOLD FLASH PLT.
 SOLDER PEG: TIN PLATING.
- MECHANICAL KEY POSITION OF CONNECTOR SEE TABLE.
 - TOLERANCES NON-CUMULATIVE.
 - NOT TO SCALE.
 - INSIDE MUST BE RESIST COAT EXCEPT SOLDER PATTERN.
 - COPLANARITY : 0.1 MAX.
 - THE FLOATING VALUE BY SOLDERING IS NOT INCLUDED.
 - NOT MATING CONDITION.
 - IF THE MODULE DOESN'T INSERT AND LOCK IN THE LATCH SMOOTHLY, OPEN WIDE BOTH LATCHES BY MANUAL. AND THE MODULE MUST BE INSERTED AND LOCKED IN THE LATCH.



GENERAL TOLERANCE
 10 ≥ ±0.2
 30 ≥ >10: ±0.25
 100 ≥ >30: ±0.3
 ANGLES: ±3°

TYPE	AVAILABLE	— H —	POWER SUPPLY (TYPE)	D5	D4	D3	POS	PART NO.
TYPE 2	AVAILABLE	— H —	1.8V (DDR2)	17.55	2.4	2.7	200	1717254-4
TYPE 1	AVAILABLE	— H —	2.5V (DDR1)	18.45	1.5	1.8	200	1717254-1
TAB TYPE	TOOLING STATUS	REMARK						

THIS DRAWING IS A CONTROLLED DOCUMENT.		DWN B.WONG 16JUL10	Tyco Electronics AMP K.K. Kawasaki, Japan	
DIMENSIONS: MM		CHK C.WANG 16JUL10	NAME	
TOLERANCES UNLESS OTHERWISE SPECIFIED:		APVD S.YAO 16JUL10	PRODUCT SPEC	
0 PLC ±		108-5701		
1 PLC ±		APPLICATION SPEC		
2 PLC ±		WEIGHT 4.7g		
3 PLC ±		SIZE A3		
4 PLC ±		CAGE CODE 00779		
ANGLES ±		DRAWING NO. 1717254		
FINISH		RESTRICTED TO		
MATERIAL		CUSTOMER DRAWING		
		SCALE 2:1		SHEET 1 OF 4 REV D1

4

3

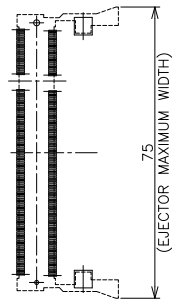
2

1

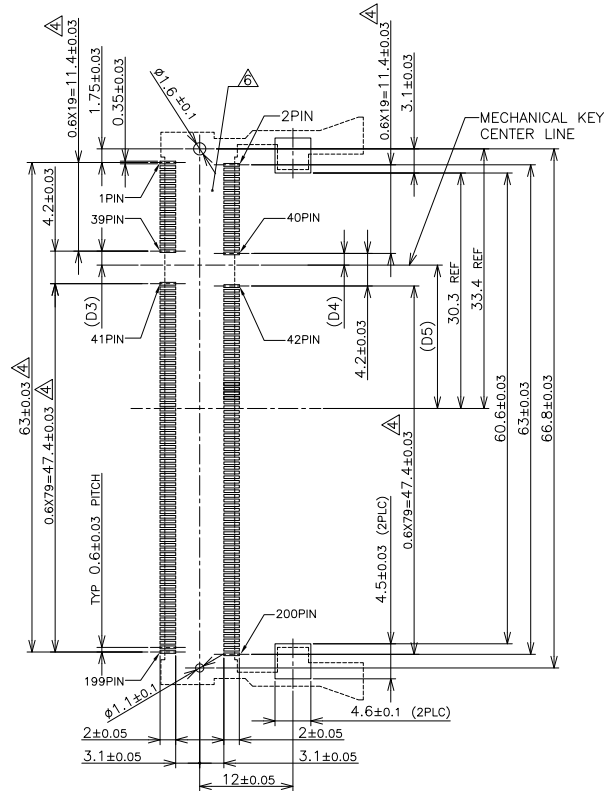
THIS DRAWING IS UNPUBLISHED. RELEASED FOR PUBLICATION NOV. 2001.
 © COPYRIGHT 2001 BY TYCO ELECTRONICS CORPORATION. ALL RIGHTS RESERVED.

LOC	DIST	REVISIONS				
P	LTR	DESCRIPTION	DATE	DWN	APVD	
-	-	SEE SHEET 1	-	-	-	

REFERENCE P.C. BOARD PATTERN LAYOUT
(CONNECTOR MOUNTING SIDE)



REAL SIZE (SCALE 1:1)



1.8V	17.55	2.4	2.7
2.5V	18.45	1.5	1.8
POWER SUPPLY	D5	D4	D3

THIS DRAWING IS A CONTROLLED DOCUMENT.		DWN	Tyco Electronics		Tyco Electronics AMP K.K. Kawasaki, Japan	
DIMENSIONS:	TOLERANCES UNLESS OTHERWISE SPECIFIED:	CHK	NAME	DDR1 & DDR2 SODIMM SOCKET		
MM	0 PLC ±	APVD	PRODUCT SPEC	0.6mm PITCH 200POS		
0 PLC ± 1 PLC ± 2 PLC ± 3 PLC ± 4 PLC ± BCC ANGLES ±		APPLICATION SPEC	STANDARD PROFILE STANDARD TYPE		RESTRICTED TO	
	MATERIAL	FINISH	WEIGHT	SIZE	CAGE CODE	DRAWING NO
			CUSTOMER DRAWING	A3	00779	1717254
			SCALE	2:1	SHEET	2 OF 4
			REV	D1		

4

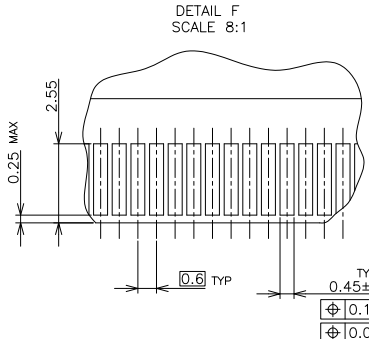
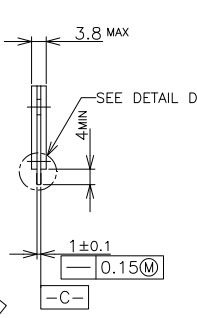
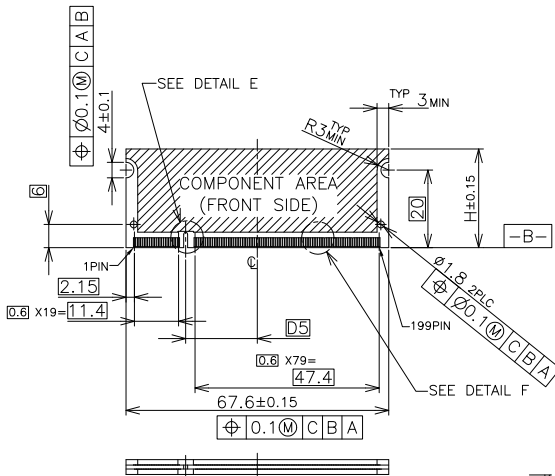
3

2

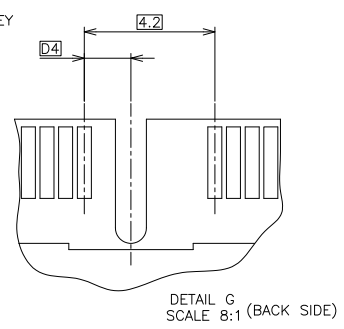
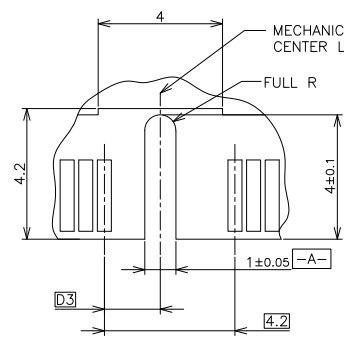
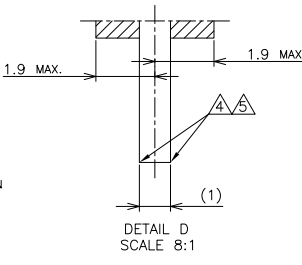
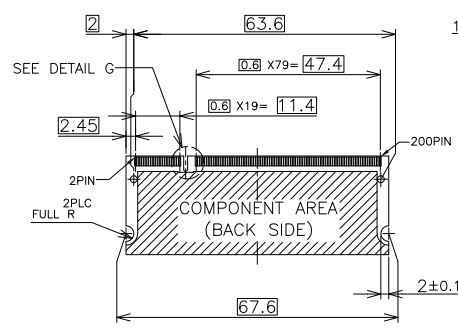
1

THIS DRAWING IS UNPUBLISHED. RELEASED FOR PUBLICATION NOV. 2001.
 COPYRIGHT 2001 BY TYCO ELECTRONICS CORPORATION. ALL RIGHTS RESERVED.

LOC	DIST	REVISIONS				
P	LTR	DESCRIPTION	DATE	DWN	APVD	
-	-	SEE SHEET 1	-	-	-	



- (APPLIED TO SHEET 3)
1. TOLERANCES ON ALL DIMENSIONS ±0.15 UNLESS OTHERWISE SPECIFIED.
 2. P.C. BOARD THICKNESS APPLIES ACROSS TABS AND INCLUDES PLATING AND/OR METALIZATION.
 3. FINISH OF PAD : GOLD PLATING 0.00076 MIN. OVER Ni PLATING 0.002MIN.
- ▲ NO BURR
 ▲ CHAMFER 0.25 MAX x 45° IF EXIST.



RECOMMENDED MATING P.C.B CONFIGURATION

THIS DRAWING IS A CONTROLLED DOCUMENT.

DIMENSIONS:	TOLERANCES UNLESS OTHERWISE SPECIFIED:
MM	
0 PLC	±
1 PLC	±
2 PLC	±
3 PLC	±
4 PLC	±
ANGLES	±

DWN
CHK
APVD
PRODUCT SPEC
APPLICATION SPEC
WEIGHT
CUSTOMER DRAWING

31.75	1.8V	17.55	2.4	2.7
25.4	2.5V	18.45	1.5	1.8
H	POWER SUPPLY	D5	D4	D3

Tyco Electronics AMP K.K.
Kawasaki, Japan

NAME: DDR1 & DDR2 SODIMM SOCKET
0.6mm PITCH 200POS
STANDARD PROFILE STANDARD TYPE

SIZE: A3 CAGE CODE: 00779 DRAWING NO: C-1717254 RESTRICTED TO

SCALE: 2:1 SHEET: 3 OF 4 REV: D1

4

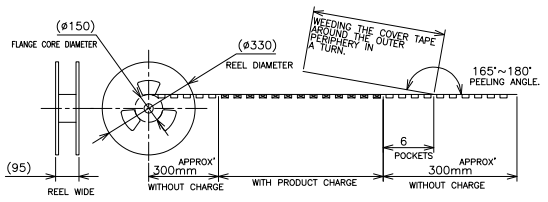
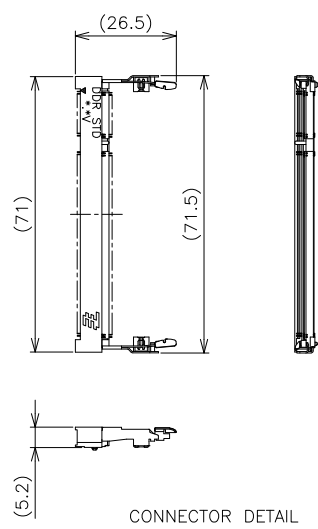
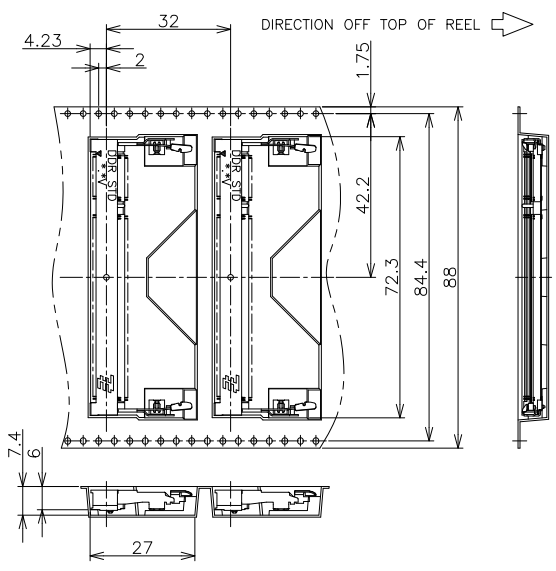
3

2

1

THIS DRAWING IS UNPUBLISHED. RELEASED FOR PUBLICATION NOV. 2001.
 © COPYRIGHT 2001 BY TYCO ELECTRONICS CORPORATION. ALL RIGHTS RESERVED.

LOC	DIST	REVISIONS			
P	LTR	DESCRIPTION	DATE	DWN	APVD
-	-	SEE SHEET 1	-	-	-



1.8V (DDR2)	150EA/REEL	1717254-4
2.5V (DDR1)	150EA/REEL	1717254-1
POWER SUPPLY (TYPE)	QTY	P/N

THIS DRAWING IS A CONTROLLED DOCUMENT.		DWN	Tyco Electronics AMP K.K. Kawasaki, Japan	
DIMENSIONS:	TOLERANCES UNLESS OTHERWISE SPECIFIED:	CHK	NAME	DDR1 & DDR2 SODIMM SOCKET 0.6mm PITCH 200POS STANDARD PROFILE STANDARD TYPE
MM	0 PLC ±	APVD	PRODUCT SPEC	
	1 PLC ±	APPLICATION SPEC	WEIGHT	
	2 PLC ±	SIZE	CAGE CODE	DRAWING NO
	3 PLC ±	A3	00779	©=1717254
	4 PLC ±	CUSTOMER DRAWING	SCALE	1:1
MATERIAL	FINISH	RESTRICTED TO	SHEET	4 OF 4
			REV	D1

AMP 1470-19 REV 31MAR2000