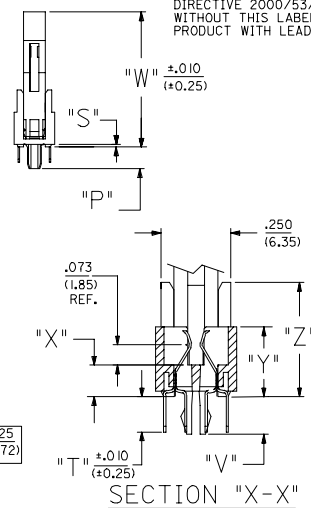


- NOTES:
- CARD SLOT ACCEPTS .050±.004 (1.27±0.10) MODULE THICKNESS. (MEASURED OVER P.C. PADS).
 - ALL PEGS ARE INTERFERENCE FITS TO PCB UNLESS NOTED .
 - REFER TO PRODUCT SPEC PS-71243-9999 FOR PERFORMANCE SPECIFICATIONS.
 - PRODUCT IS PACKAGED IN TRAYS PER PK-70873-0609.
 - RECOMMENDED MODULE LAYOUT SHALL BE PER SHEET 2.
 - RECOMMENDED PLATING ON MODULE PADS: 30 MICROINCH/0.76 MICROMETER) MINIMUM HARD GOLD (Au) OVER 79 MICROINCH/2.0 MICROMETER) MINIMUM NICKEL (Ni).
 - PRODUCT WILL HAVE DATE CODE STAMPED ON SIDE OF HOUSING.
- MATERIALS:
 HOUSING - GLASS FILLED LIQUID CRYSTAL POLYMER (LCP), UL 94V-0, COLOR: BLACK.
 TERMINAL - PHOSPHOR BRONZE
 LATCHES - GLASS FILLED HIGH TEMPERATURE NYLON, UL 94V-0, COLOR: IVORY.
- PLATING:
 SEE SHEET 2.

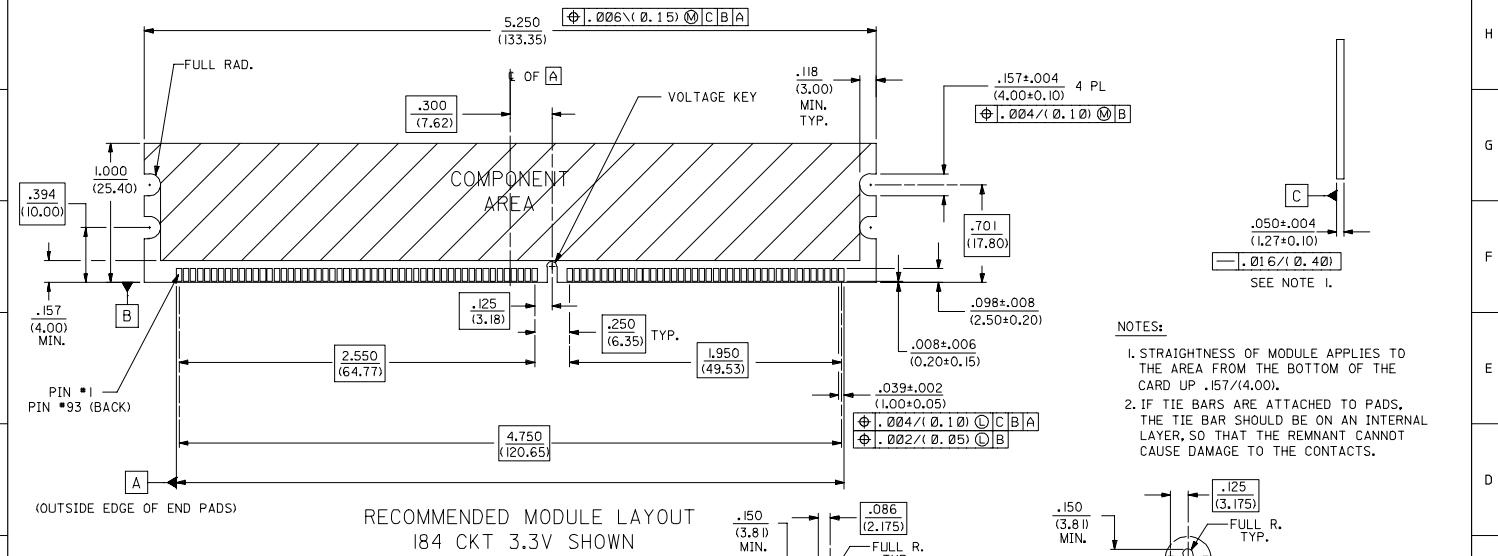
NOTE FOR LEAD FREE CONVERSION:
 THE PRIMARY SHIPPING CARTON WILL BE LABELED "COMPLIANT TO ROHS DIRECTIVE 2002/95/EC AND ELV ANNEX II OF DIRECTIVE 2000/53/EC". CARTONS WITHOUT THIS LABEL MAY CONTAIN PRODUCT WITH LEAD.



RECOMMENDED
 P.C. BOARD HOLE PATTERN
 (CONNECTOR SIDE)

UPDATE REV LEVEL EC NO: UCP2005-2368 DRAWNSMART 2005/04/29 CHKDBSMART 2005/05/03 APPR: SMILLER 2005/05/03	QUALITY SYMBOLS	GENERAL TOLERANCES (UNLESS SPECIFIED) m/m INCH 4 PLACES ± --- ± --- 3 PLACES ± --- ± .005 2 PLACES ± 0.13 ± .01 1 PLACE ± 0.25 ± --- ANGULAR ±1/2°	DIMENSION STYLE	SCALE	DESIGN UNITS	THIRD ANGLE PROJECTION
	DRAWN BY DATE JCL 09/25/1997 CHECKED BY DATE JCL 09/25/1997 APPROVED BY DATE JCL 09/25/1997		IN/MM	2:1	INCH	
MATERIAL NO. SEE TABLE DOCUMENT NO. SDA-71243-3***		TITLE SALES ASSEMBLY .050/127 PITCH SINGLE KEY 184 CKT DDR DIMM		SHEET NO. 1 OF 2		SHT REV 2 E 1 E

PART NUMBER	DESCRIPTION	VOLTAGE KEY	PEG A	PEG B	PEG C	DIM. 'P'	DIM. 'S'	DIM. 'T'	DIM. 'V'	DIM. 'W'	DIM. 'X'	DIM. 'Y'	DIM. 'Z'	LATCH COLOR	TERMINAL TYPE
71243-3001	1.8 VOLT VDDQ	CENTER	PLASTIC PEG	METAL FORKLOCK	PLASTIC PEG	.155 (3.94)	.020 (0.51)	.127 (3.23)	.135 (3.43)	.970 (24.64)	.113 (2.87)	.250 (6.35)	.410 (10.41)	WHITE	NOT LUBRICATED
71243-3002	2.5 VOLT VDDQ	OFFSET LEFT	PLASTIC PEG	METAL FORKLOCK	PLASTIC PEG	.155 (3.94)	.020 (0.51)	.127 (3.23)	.135 (3.43)	.970 (24.64)	.113 (2.87)	.250 (6.35)	.410 (10.41)	WHITE	NOT LUBRICATED
71243-3004	1.8 VOLT VDDQ	CENTER	PLASTIC PEG	METAL FORKLOCK	PLASTIC PEG	.155 (3.94)	.020 (0.51)	.127 (3.23)	.135 (3.43)	.970 (24.64)	.113 (2.87)	.250 (6.35)	.410 (10.41)	WHITE	LUBRICATED
71243-3005	2.5 VOLT VDDQ	OFFSET LEFT	PLASTIC PEG	METAL FORKLOCK	PLASTIC PEG	.155 (3.94)	.020 (0.51)	.127 (3.23)	.135 (3.43)	.970 (24.64)	.113 (2.87)	.250 (6.35)	.410 (10.41)	WHITE	LUBRICATED
71243-3007	2.5 VOLT VDDQ	OFFSET LEFT	PLASTIC PEG	NONE	PLASTIC PEG	.155 (3.94)	.020 (0.51)	.127 (3.23)		.970 (24.64)	.113 (2.87)	.250 (6.35)	.410 (10.41)	WHITE	NOT LUBRICATED
71243-3009	1.8 VOLT VDDQ	CENTER	PLASTIC PEG	METAL FORKLOCK	PLASTIC PEG	.155 (3.94)	.020 (0.51)	.127 (3.23)	.135 (3.43)	.970 (24.64)	.113 (2.87)	.250 (6.35)	.410 (10.41)	BLACK	NOT LUBRICATED



- NOTES:
1. STRAIGHTNESS OF MODULE APPLIES TO THE AREA FROM THE BOTTOM OF THE CARD UP .157/(4.00).
 2. IF TIE BARS ARE ATTACHED TO PADS, THE TIE BAR SHOULD BE ON AN INTERNAL LAYER, SO THAT THE REMNANT CANNOT CAUSE DAMAGE TO THE CONTACTS.

PLATING:

CONTACT AREA NOT LUBRICATED:
 GOLD (Au) FLASH: THICKNESS=2-10 MICROINCH/(0.05-0.25 MICRO METER),
 OVER PALLADIUM-NICKEL (Pd-Ni): THICKNESS=30 MICROINCH/(0.76 MICROMETER) MINIMUM.

CONTACT AREA LUBRICATED:
 MOLEX EBI LUBRICANT APPLIED OVER GOLD (Au) FLASH:
 THICKNESS=2-10 MICROINCH/(0.05-0.25 MICRO METER),
 OVER PALLADIUM-NICKEL (Pd-Ni): THICKNESS=30 MICROINCH/(0.76 MICROMETER) MINIMUM.

SOLDER TAILS:
 TIN (Sn): THICKNESS=150 MICROINCH/(3.81 MICROMETER) MINIMUM.

UNDERPLATE:
 NICKEL (Ni) OVER ENTIRE TERMINAL.

ADD 71243-3009 EC NO: UCP2005-2368 DRAWNSMART 2005/04/29 CHKCSMART 2005/05/03 APPR:SMILLER 2005/05/05	QUALITY SYMBOLS ▽=0 ▽=0	GENERAL TOLERANCES (UNLESS SPECIFIED) mm INCH 4 PLACES ± --- ± --- 3 PLACES ± --- ± .005 2 PLACES ± .13 ± .01 1 PLACE ± 0.25 ± --- ANGULAR ±1/2°	DIMENSION STYLE IN/MM DRAWN BY JCL DATE 09/25/1997 CHECKED BY DATE 09/25/1997 APPROVED BY JCL DATE 09/25/1997	SCALE 2:1 DESIGN UNITS INCH THIRD ANGLE PROJECTION	TITLE SALES ASSEMBLY 0505/127 PITCH SINGLE KEY 184 CKT DDR DIMM
		DRAFT WHERE APPLICABLE MUST REMAIN WITHIN DIMENSIONS	MATERIAL NO. SEE TABLE SIZE C	DOCUMENT NO. SDA-71243-3*** MOLEX INCORPORATED	SHEET NO. 2 OF 2

THIS DRAWING CONTAINS INFORMATION THAT IS PROPRIETARY TO MOLEX INCORPORATED AND SHOULD NOT BE USED WITHOUT WRITTEN PERMISSION