

64	56	38.4	33.6	45.5	40.7	DDR3 (AB/BB/CB) ; STD	1.5V	△	1 - -4
64	56	38.4	33.6	45.5	40.7	DDR2 (AA/BA/CA) ; STD	1.8V	△	1 - -3
56	64	33.6	38.4	40.7	45.5	DDR3 (AB/BB/CB) ; RVS	1.5V	△	1 - -2
56	64	33.6	38.4	40.7	45.5	DDR2 (AA/BA/CA) ; RVS	1.8V	△	1 - -1
64	56	38.4	33.6	45.5	40.7	DDR3 (AB/BB/CB) ; STD	1.5V	△	-4
64	56	38.4	33.6	45.5	40.7	DDR2 (AA/BA/CA) ; STD	1.8V	△	-3
56	64	33.6	38.4	40.7	45.5	DDR3 (AB/BB/CB) ; RVS	1.5V	△	-2
56	64	33.6	38.4	40.7	45.5	DDR2 (AA/BA/CA) ; RVS	1.8V	△	-1
F2	F1	E2	E1	B2	B1	VARIATION ; ORIENTATION MODULE	VOLTAGE MARKING	CONTACT FINISH	P/N

THIS DRAWING IS A CONTROLLED DOCUMENT FOR AMP INCORPORATED. IT IS SUBJECT TO CHANGE AND THE CONTROLLING ENGINEERING ORGANIZATION SHOULD BE CONTACTED FOR THE LATEST REVISION.

LOC: DY DIST: -

REVISIONS			
P	LTR	DESCRIPTION	DATE
B2		REVISED PER ECR-09-017452	11AUG2009

△ MATERIAL: HOUSING: HIGH TEMP LCP, BLACK, UL94V-0  
 CONTACTS: COPPER ALLOY  
 LATCHES: HIGH TEMP LCP, NATURAL, UL94V-0  
 △ FINISH: ENGAGEMENT AREAS: 0.76µm MIN GOLD OVER  
 1.25µm MIN NICKEL  
 SOLDERTAILS: 0.02µm MIN GOLD OVER  
 1.25µm MIN NICKEL  
 △ FINISH: ENGAGEMENT AREAS: 0.38µm MIN GOLD OVER  
 1.25µm MIN NICKEL  
 SOLDERTAILS: 0.02µm MIN GOLD OVER  
 1.25µm MIN NICKEL  
 4. ACCEPTS 1.0mm THICK MEMORY MODULE, PER JEDEC MO-244, WITH BEVELS (FOR INSERTION LEAD-IN) REQUIRED.  
 5. PRODUCT SHALL BE PACKED IN JEDEC HARD TRAY (BLACK).  
 △ PART NUMBER AND DATE CODE SHALL BE MARKED LEGIBLY AS SHOWN. DATE CODE FORMAT: YYWW.

DIMENSIONS: mm  
 TOLERANCES UNLESS OTHERWISE SPECIFIED:  
 0 PLC ±.  
 1 PLC ±0.25  
 2 PLC ±0.13  
 3 PLC ±.  
 4 PLC ±.  
 ANGLES ±°  
 FINISH SEE P/N TABLE

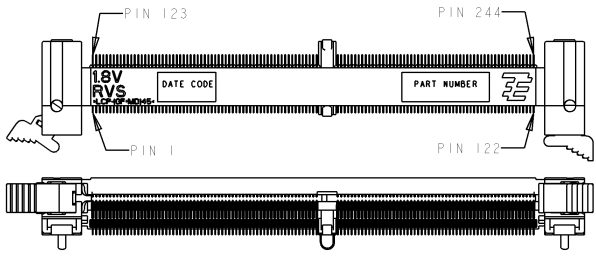
DWN: WY/FF 18MAY2007  
 CHK: YJ/SEE  
 APVD: SF/LEONG  
 PRODUCT SPEC: 108-51091  
 APPLICATION SPEC: 114-51011  
 WEIGHT: -

Tyco Electronics Corporation  
 Singapore  
 NAME: ASSEMBLY, MINIDIMM, R/A, LF  
 0.60mm PITCH, 244 CKTS, DDR2/3  
 SIZE: A3  
 CAGE CODE: 00779  
 DRAWING NO: G-1735438  
 CUSTOMER DRAWING  
 SCALE: 1:1 SHEET 1 OF 5 REV B2

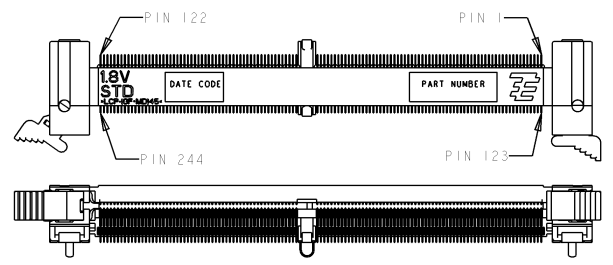
AMP 1470-19 REV 09A194

THIS DRAWING IS UNPUBLISHED. RELEASED FOR PUBLICATION .19  
 COPYRIGHT 19 BY AMP INCORPORATED. ALL RIGHTS RESERVED.

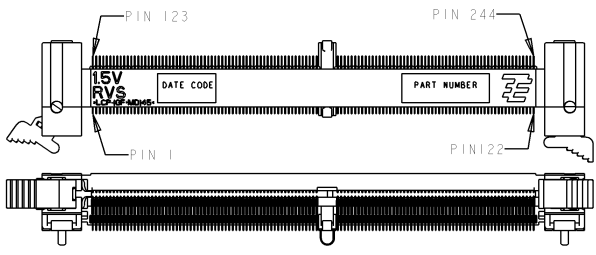
LOC	DIST	REVISIONS			
P	LTR	DESCRIPTION	DATE	DRW	APVD
DY	-	SEE SHEET 1			



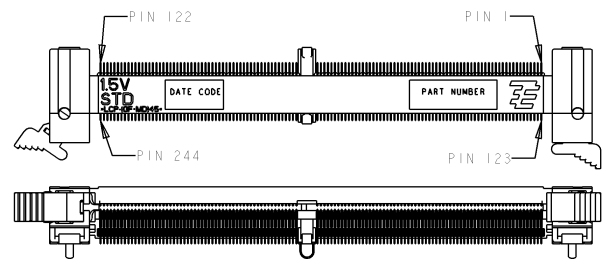
P/N X- -1  
(1.8V RVS)  
SCALE 3:2



P/N X- -3  
(1.8V STD)  
SCALE 3:2



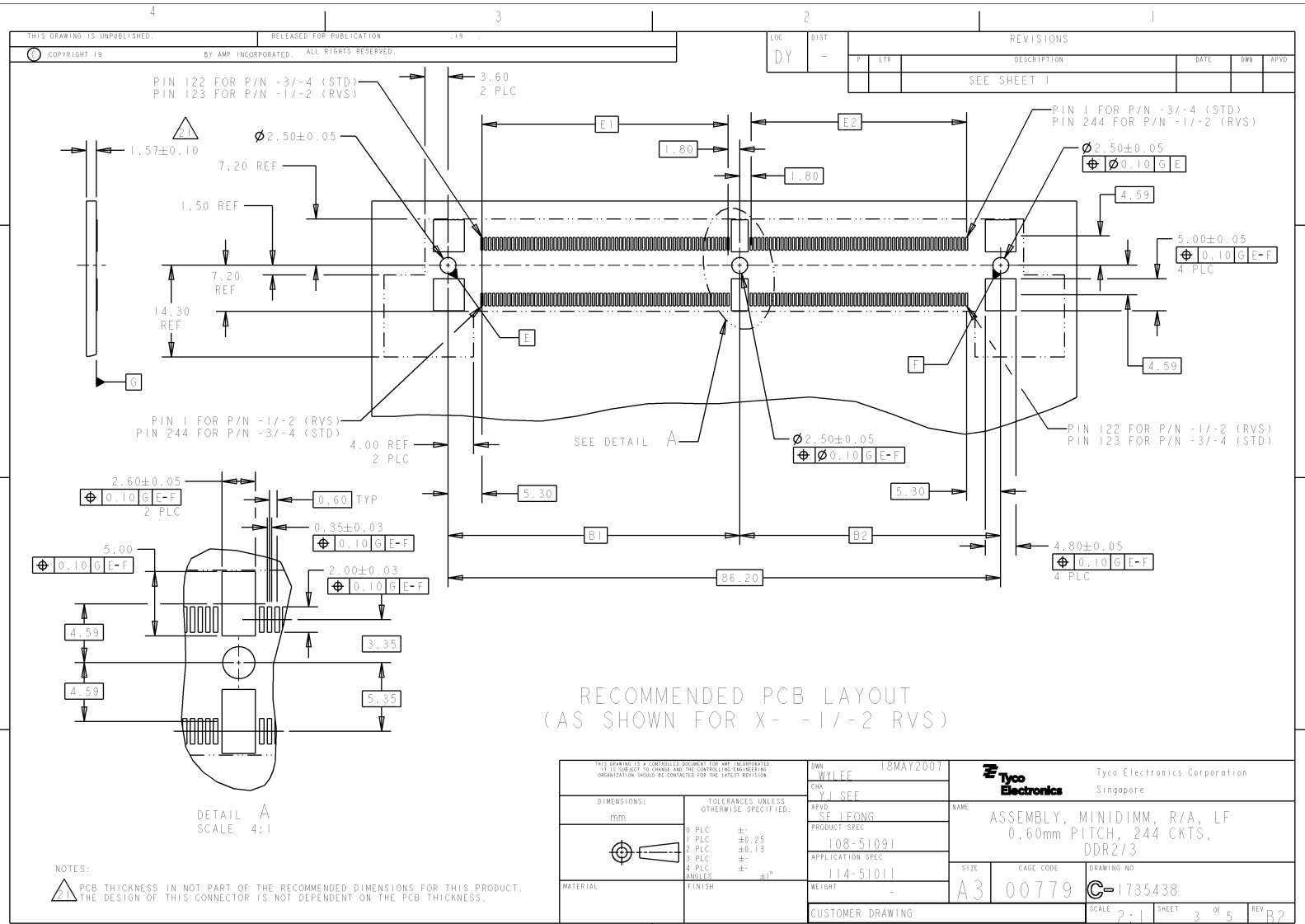
P/N X- -2  
(1.5V RVS)  
SCALE 3:2



P/N X- -4  
(1.5V STD)  
SCALE 3:2

<small>THIS DRAWING IS A CONTROLLED DOCUMENT FOR AMP INCORPORATED. IT IS SUBJECT TO CHANGE AND THE CONTROLLING ENGINEERING ORGANIZATION SHOULD BE CONTACTED FOR THE LATEST REVISION.</small>		DWN: WY/EE 18MAY2007 CHK: YJ/SEE APVD: SF/LEONG PRODUCT SPEC: 108-51091 APPLICATION SPEC: 114-51011 WEIGHT: - CUSTOMER DRAWING	Tyco Electronics Corporation Singapore
DIMENSIONS: mm	TOLERANCES UNLESS OTHERWISE SPECIFIED: 0 PLC ±- 1 PLC ±0.25 2 PLC ±0.13 3 PLC ±- 4 PLC ±- ANGLES ±1° FINISH: SEE P/N TABLE	NAME: ASSEMBLY, MINIDIMM, R/A, LF 0.60mm PITCH, 244 CKTS, DDR2/3	SIZE: A3 CAGE CODE: 00779 DRAWING NO: 1735438
MATERIAL:		SCALE: 1:1	SHEET: 2 OF 5 REV: B2

AMP 1470-19 REV 09MAY94



RECOMMENDED PCB LAYOUT  
(AS SHOWN FOR X- -1/-2 RVS)

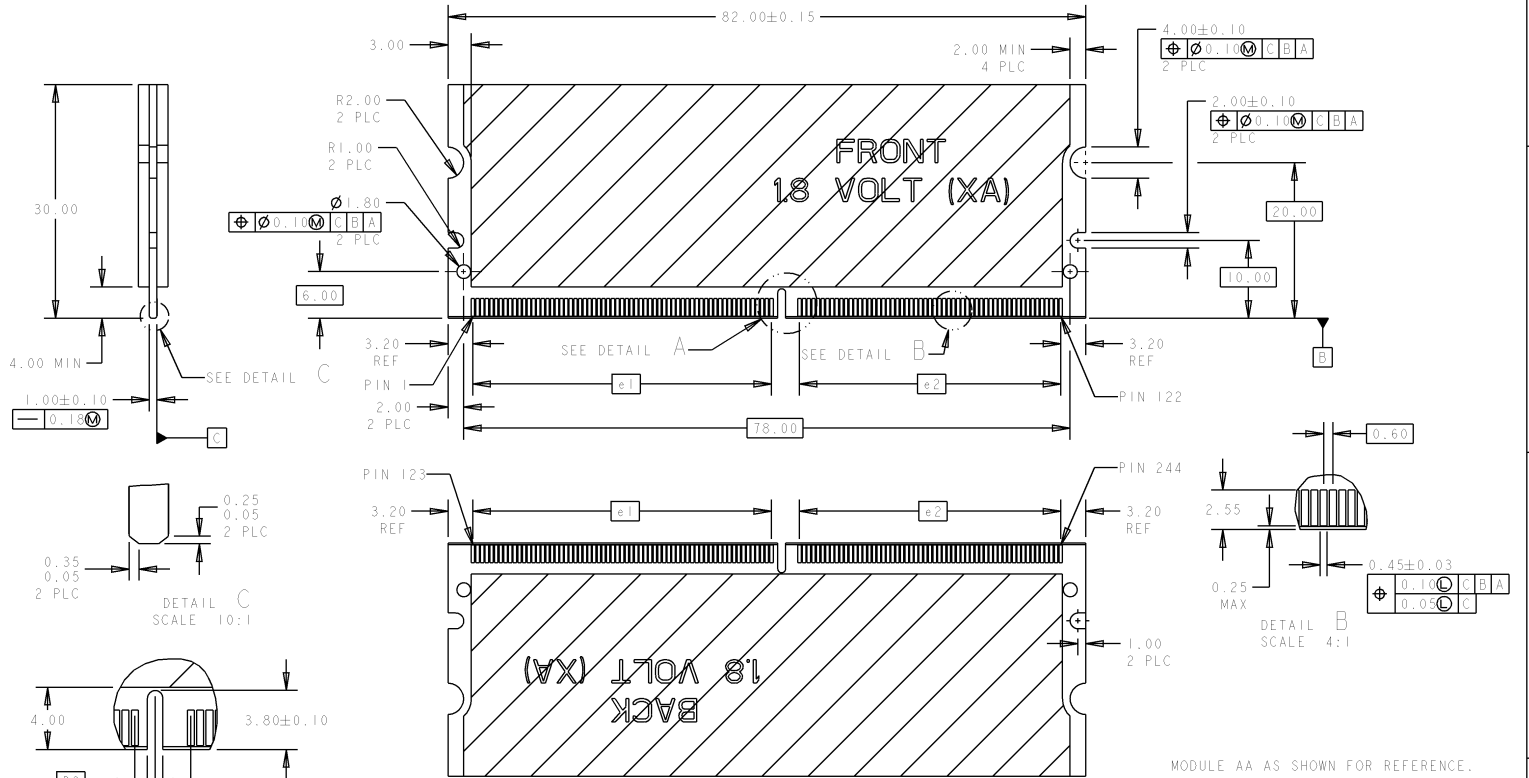
DETAIL A  
SCALE 4:1

NOTES:  
 1. PCB THICKNESS IS NOT PART OF THE RECOMMENDED DIMENSIONS FOR THIS PRODUCT. THE DESIGN OF THIS CONNECTOR IS NOT DEPENDENT ON THE PCB THICKNESS.

<small>THIS DRAWING IS A CONTROLLED DOCUMENT FOR AMP INCORPORATED. IT IS SUBJECT TO CHANGE AND THE CONTROLLING ENGINEERING ORGANIZATION SHOULD BE CONTACTED FOR THE LATEST REVISION.</small>		DWN: WY/EE 18MAY2007 CHK: YJ/SFF APVD: SF/LEONG PRODUCT SPEC: 108-51091 APPLICATION SPEC: 114-51011 WEIGHT: - CUSTOMER DRAWING	Tyco Electronics Corporation Singapore NAME: ASSEMBLY, MINIDIMM, R/A, LF 0.60mm PITCH, 244 CKTS, DDR2/3 SIZE: A3 CAGE CODE: 00779 DRAWING NO: 1735438
DIMENSIONS: mm	TOLERANCES UNLESS OTHERWISE SPECIFIED: 0 PLC ±- 1 PLC ±0.25 2 PLC ±0.13 3 PLC ±- 4 PLC ±- ANGLES ±° MATERIAL FINISH	SCALE: 2:1 SHEET: 3 OF 5 REV: B2	

THIS DRAWING IS UNPUBLISHED. RELEASED FOR PUBLICATION BY AMP INCORPORATED. ALL RIGHTS RESERVED.

LOC	DIST	REVISIONS			
DY	-	P	LTN	DESCRIPTION	DATE
				SEE SHEET 1	



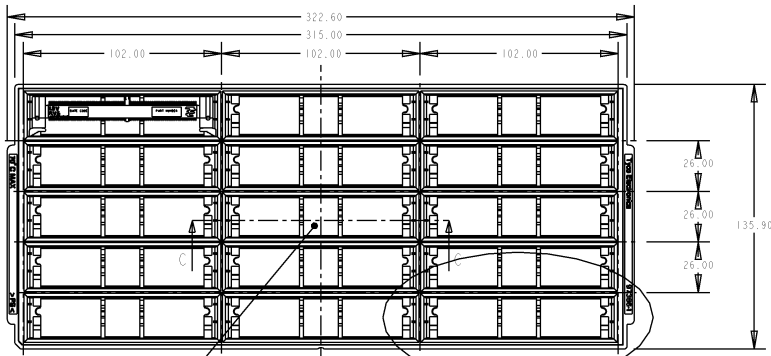
FOR P/N X- -2 AND X- -4.	2,3	33.6	38.4	1.5V	AB/BB/CB
FOR P/N X- -1 AND X- -3.	1,3	33.6	38.4	1.8V	AA/BA/CA
REMARKS	D3	e2	e1	VOLTAGE MARKING	MODULE VARIATION

<small>THIS DRAWING IS A CONTROLLED DOCUMENT FOR AMP INCORPORATED. IT IS SUBJECT TO CHANGE AND THE CONTROLLING ENGINEERING ORGANIZATION SHOULD BE CONTACTED FOR THE LATEST REVISION.</small>		DWN WYLEE 18MAY2007 CHK YJ SEE APVD SE LEONG PRODUCT SPEC 108-51091 APPLICATION SPEC 114-51011 WEIGHT - CUSTOMER DRAWING	Tyco Electronics Corporation Singapore NAME ASSEMBLY, MINIDIMM, R/A, LF 0.60mm PITCH, 244 CKTS, DDR2/3 SIZE A3 CAGE CODE 00779 DRAWING NO. I-1735438
DIMENSIONS: mm TOLERANCES UNLESS OTHERWISE SPECIFIED: 0 PLC ± 1 PLC ±0.25 2 PLC ±0.13 3 PLC ± 4 PLC ± ANGLES ± FINISH #	MATERIAL FINISH	SCALE 1:1 SHEET 4 OF 5 REV B2	

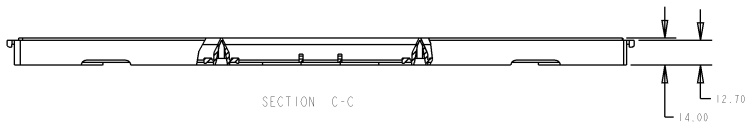
AMP 1470-19 REV 09MAY94

THIS DRAWING IS UNPUBLISHED. RELEASED FOR PUBLICATION  
 COPYRIGHT 19 BY AMP INCORPORATED. ALL RIGHTS RESERVED.

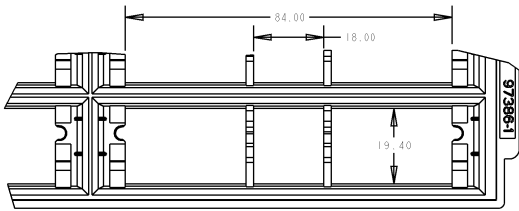
LOC	DIST	REVISIONS			
P	LTR	DESCRIPTION	DATE	BY	APPD
DY	-	SEE SHEET 1			



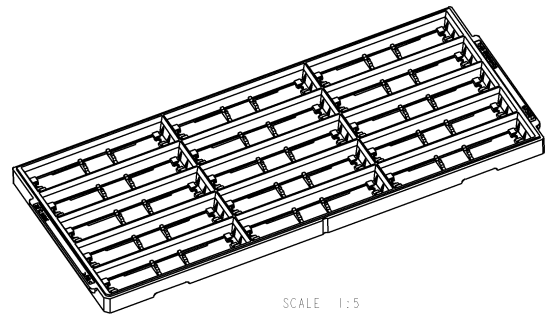
Base of centre pocket is solid. SEE DETAIL A



SECTION C-C



DETAIL A  
SCALE 2:1



SCALE 1:5

<small>THIS DRAWING IS A CONTROLLED DOCUMENT FOR AMP INCORPORATED.                  IT IS SUBJECT TO CHANGE AND THE CONTROLLING ENGINEERING                  ORGANIZATION SHOULD BE CONTACTED FOR THE LATEST REVISION.</small>		DWN WY/EE 18MAY2007 CHY YJ/SEE APVD SF/LEONG PRODUCT SPEC 108-51091 APPLICATION SPEC 114-51011 WEIGHT - CUSTOMER DRAWING	<b>Tyco Electronics</b> Tyco Electronics Corporation Singapore NAME ASSEMBLY, MINIDIMM, R/A, LF 0.60mm PITCH, 244 CKTS, DDR2/3 SIZE A3 CAGE CODE 00779 DRAWING NO. 1735438
DIMENSIONS: mm 	TOLERANCES UNLESS OTHERWISE SPECIFIED: 0 PLC ± 1 PLC ±0.30 2 PLC ±0.15 3 PLC ± 4 PLC ± ANGLES ±°	MATERIAL FINISH	SCALE 1:2 SHEET 5 OF 5 REV B2