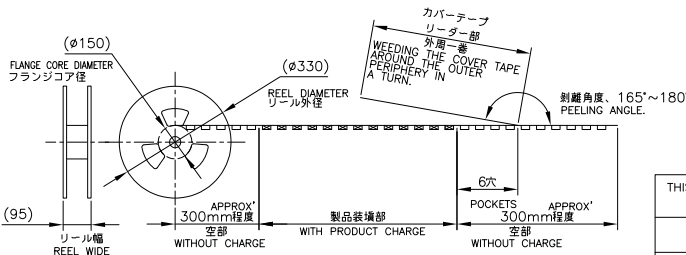
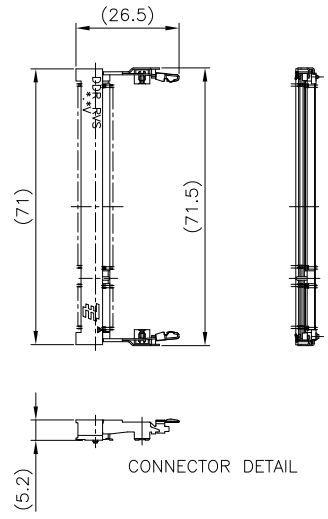
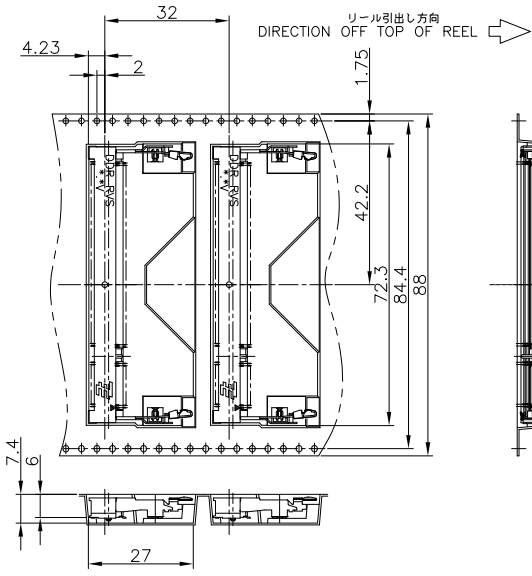


THIS DRAWING IS UNPUBLISHED. RELEASED FOR PUBLICATION DEC. 2001.
 © COPYRIGHT 2001 BY TYCO ELECTRONICS CORPORATION. ALL RIGHTS RESERVED.

LOC	DIST	REVISIONS		
J		P	LTR	変更
		DESCRIPTION		DATE
		D1	ECR-10-014776	20JUL10
				DWN
				APVD
				B.W
				S.Y



鉛フリー
LEAD FREE

1.8V (DDR2)	150EA/REEL	1565712-4	1565918-4
2.5V (DDR1)	150EA/REEL	1565712-3	1565918-1
POWER SUPPLY (TYPE)	QTY	CONNECTOR P/N	P/N

THIS DRAWING IS A CONTROLLED DOCUMENT.

DIMENSIONS: 単位: 概 MM	TOLERANCES UNLESS OTHERWISE SPECIFIED: 公差	DWN B.WONG 20JUL10	CHK C.WANG 20JUL10	APVD S.YAO 20JUL10	NAME 名録	Tyco Electronics AMP K.K. Kawasaki, Japan	
0 PLC ± 0.3	1 PLC ± 0.3	PRODUCT SPEC 製品規格 108-5701		EMBOSS ASSEMBLY DDR1 & DDR2 SODIMM SOCKET 200P STANDARD PROFILE REVERSE TYPE			
2 PLC ± 0.3	3 PLC ± 0.3	SIZE A3	CAGE CODE 00779	DRAWING NO 番号 C=1565918	RESTRICTED TO		
4 PLC ± 0.3	ANGLES ± 5°	WEIGHT	CUSTOMER DRAWING		SCALE 尺度 1:1	SHEET 1 OF 1	REV D1