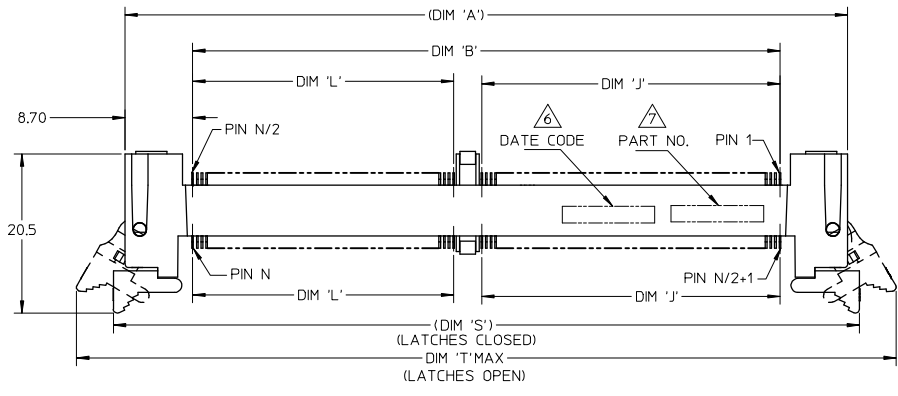
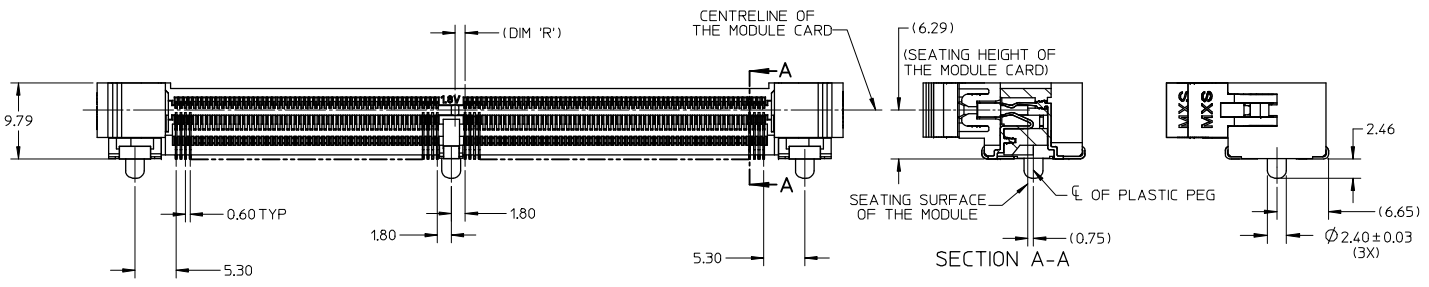


10 | 9 | 8 | 7 | 6 | 5 | 4 | 3 | 2 | 1



- NOTES :
- 1) MATERIAL :  
HOUSING : HIGH TEMPERATURE LIQUID CRYSTAL POLYMER, UL94V-0  
COLOUR : BLACK  
CONTACTS : COPPER ALLOY  
LATCHES : HIGH TEMPERATURE NYLON, UL94V-0  
COLOUR : NATURAL (OFF-WHITE)
  - 2) FINISH :  
CONTACT AREA : 0.76 MICROMETER (30 MICROINCH) MIN GOLD OVER  
1.25 MICROMETER (50 MICROINCH) MIN NICKEL  
SOLDER LEADS : 2.54 MICROMETER (100 MICROINCH) MIN TIN OVER  
1.25 MICROMETER (50 MICROINCH) MIN NICKEL
  - 3) ACCEPTS 1.0 mm THICK MEMORY MODULE PER JEDEC MO-244 FOR 244 CKTS AND MO-258 FOR 200 CKTS.
  - 4) PRODUCT SPECIFICATION : PS-87918-001
  - 5) PRODUCT SHALL BE PACKED IN TRAY.

△ DATE CODE SHALL BE MARKED LEGIBLY AS SHOWN :YYDDD  
 △ PART NUMBER SHALL BE MARKED LEGIBLY AS SHOWN, 87918-XXXX(REFER TO TABLE)

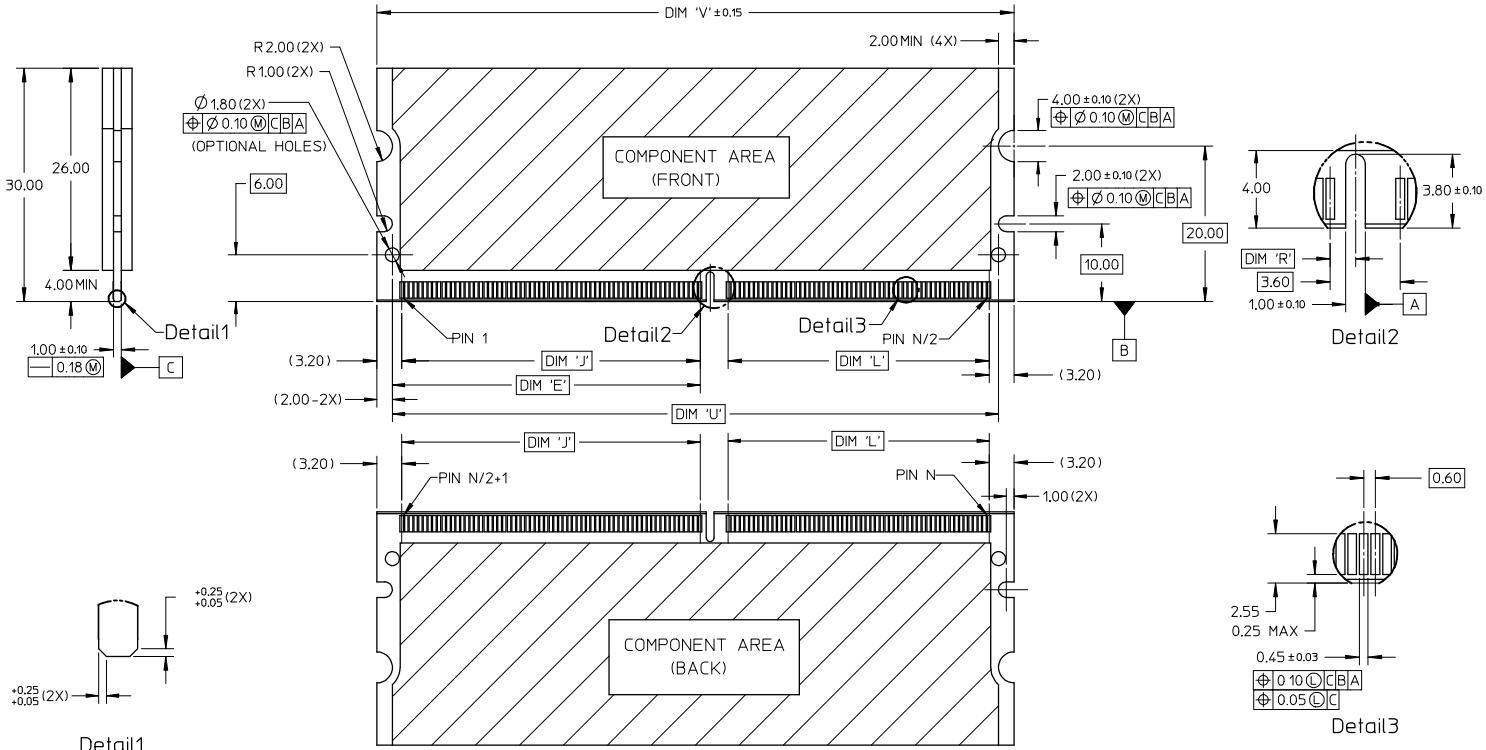


ADD DDR3 OPTION DEC NO: S2008-1057 DRWNG:CMTEO 2008/06/20 CHKD:CGTAN 2008/06/20 APPR:SHLENI 2008/06/23 REV DESCRIPTION	QUALITY SYMBOLS	GENERAL TOLERANCES (UNLESS SPECIFIED)	DIMENSION STYLE	SCALE	DESIGN UNITS	THIRD ANGLE PROJECTION
	▽=0 ◻=0	mm INCH 4 PLACES ± --- ± --- 3 PLACES ± --- ± --- 2 PLACES ± 0.13 ± --- 1 PLACE ± 0.25 ± --- ANGULAR ± 1 °	MM ONLY	NTS	METRIC	
		DRAFT WHERE APPLICABLE MUST REMAIN WITHIN DIMENSIONS	DRAWN BY DATE EDMUND 2004/08/17 CHECKED BY DATE SRRAMESH 2005/01/25 APPROVED BY DATE GGLEE 2005/01/25	TITLE	MINI DIMM, 0.60MM PITCH 244/200 CKTS STANDARD R/A	
			MATERIAL NO. SEE TABLE (SIZE) THIS DRAWING CONTAINS INFORMATION THAT IS PROPRIETARY TO MOLEX INCORPORATED AND SHOULD NOT BE USED WITHOUT WRITTEN PERMISSION	DOCUMENT NO. SD-87918-001	MOLEX INCORPORATED SHEET NO. 1 OF 4	

tb\_frame\_A3\_P\_AM.T  
Rev. E 2006/04/15

9 | 8 | 7 | 6 | 5 | 4 | 3 | 2 | 1

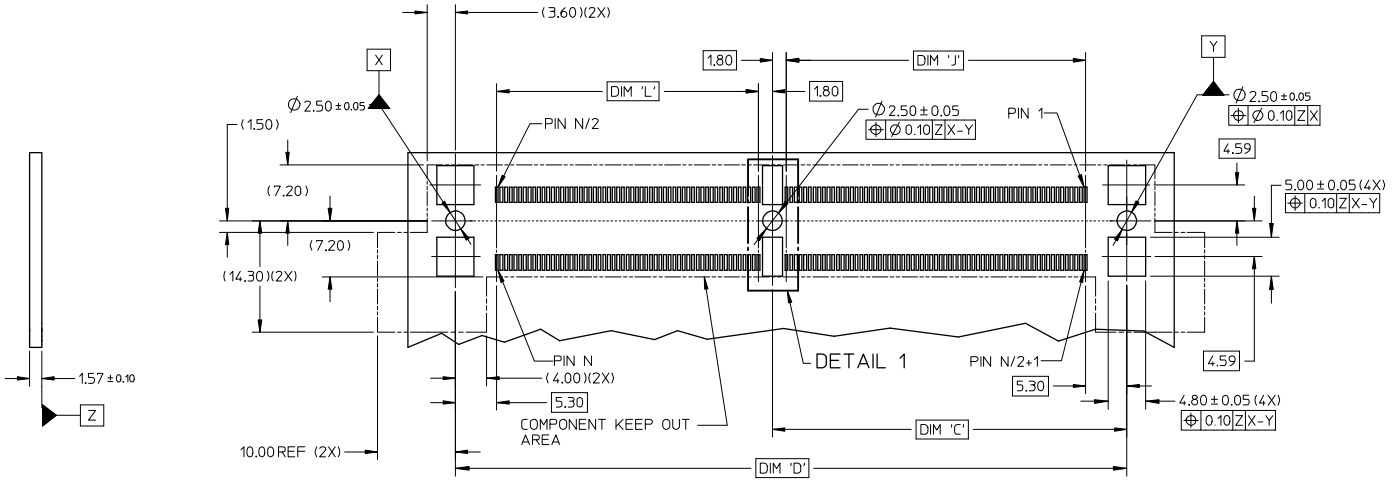
10 9 8 7 6 5 4 3 2 1



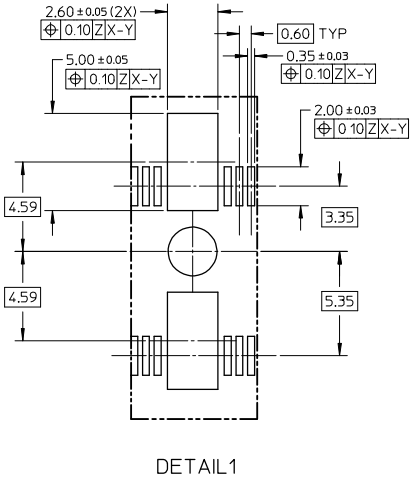
ADD DDR3 OPTION EC NO: S2008-1057 DRAWN/CMTEO 2008/06/20 CHKD/CGTAN 2008/06/20 APPR/SILENI 2008/06/23 B2	QUALITY SYMBOLS ▽=0 ▽=0	GENERAL TOLERANCES (UNLESS SPECIFIED)		DIMENSION STYLE MM ONLY		SCALE NTS	DESIGN UNITS METRIC	THIRD ANGLE PROJECTION		
		4 PLACES ± --- ± ---	3 PLACES ± --- ± ---	2 PLACES ± 0.13 ± ---	1 PLACE ± 0.25 ± ---	ANGULAR ± 1 °	DRAWN BY EDMUND	DATE 2004/08/17	TITLE MINI DIMM, 0.60MM PITCH 244/200 CKTS STANDARD R/A	
		DRAFT WHERE APPLICABLE MUST REMAIN WITHIN DIMENSIONS		SEE TABLE		MATERIAL NO.	APPROVED BY GGLEE	DATE 2005/01/25	DOCUMENT NO. SD-87918-001	SHEET NO. 2 OF 4
		THIS DRAWING CONTAINS INFORMATION THAT IS PROPRIETARY TO MOLEX INCORPORATED AND SHOULD NOT BE USED WITHOUT WRITTEN PERMISSION								

tb\_frame\_A3\_P\_AM\_T  
Rev. E 2006/04/15

10 9 8 7 6 5 4 3 2 1



RECOMMENDED PCB LAYOUT

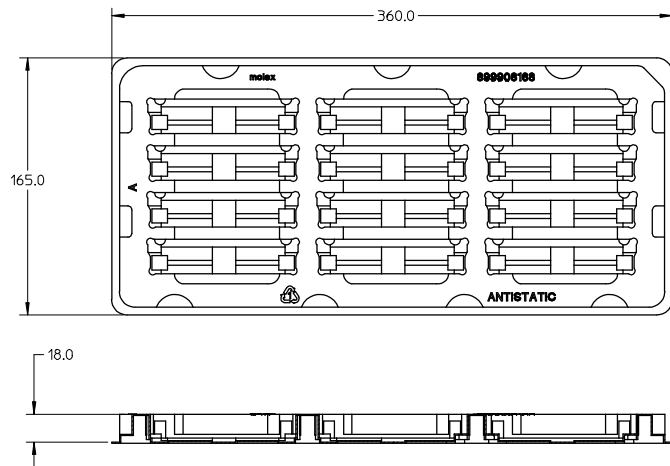


DETAIL1

ADD DDR3 OPTION ELC NO: S2008-1057 DRAWN: MIED 2008/06/20 CHECKED: CJTAN 2008/06/20 APPR: SHLENI 2008/06/23	DESCRIPTION B2	QUALITY SYMBOLS ▽=0 ▽=0	GENERAL TOLERANCES (UNLESS SPECIFIED)		DIMENSION STYLE MM ONLY		SCALE NTS	DESIGN UNITS METRIC	THIRD ANGLE PROJECTION		
		4 PLACES ± --- ± ---	mm INCH	DRAWN BY EDMUND	DATE 2004/08/17	TITLE MINI DIMM, 0.60MM PITCH 244/200 CKTS STANDARD R/A					
		3 PLACES ± --- ± ---	± 0.13 ± ---	CHECKED BY SRRAMESH	DATE 2005/01/25	MOLEX INCORPORATED					
		2 PLACES ± 0.25 ± ---	ANGULAR ± 1°	APPROVED BY GGLEE	DATE 2005/01/25	MATERIAL NO. SEE TABLE	DOCUMENT NO. SD-87918-001	SHEET NO. 3 OF 4			

10 9 8 7 6 5 4 3 2 1

CKT SIZE N	PART NUMBER	MODULE CARD	VOLTAGE KEY	DIM 'R'	DIM 'E'	DIM 'J'	DIM 'L'	DIM 'A'	DIM 'S'	DIM 'T'	DIM 'U'	DIM 'V'	DIM 'C'	DIM 'D'	DIM 'B'
244	87918-0001	DDR2	1.8 V	1.30	39.60	38.40	33.60	93.0	96.0	106.2	78.00	82.00	45.50	86.20	75.60
	87918-0301	DDR3	1.5 V	2.30											
200	87918-0201	DDR2	1.8 V	1.30	24.60	23.40	35.40	79.8	82.8	93.0	64.80	68.80	30.50	73.00	62.40
	87918-0202	DDR	2.5 V	2.30											



VIEW OF PACKAGING TRAY

NOTES:  
1. QTY OF CAVITY: 3 X 4 = 12 PCS

ADD DDR3 OPTION EEC NO: S22008-1057 DRAWN: MIED CHECKED: CJTAN APPR: SHLENI 2008/06/20 2008/06/20 2008/06/23	DESCRIPTION REV	QUALITY SYMBOLS	GENERAL TOLERANCES (UNLESS SPECIFIED) mm INCH 4 PLACES ± --- ± --- 3 PLACES ± --- ± --- 2 PLACES ± 0.13 ± --- 1 PLACE ± 0.25 ± --- ANGULAR ± 1°	DIMENSION STYLE	SCALE	DESIGN UNITS	THIRD ANGLE PROJECTION	
				MM ONLY	NTS	METRIC		
				DATE	TITLE	MINI DIMM, 0.60MM PITCH 244/200 CKTS STANDARD R/A		
				DATE	MOLEX INCORPORATED SD-87918-001			
			DRAFT WHERE APPLICABLE MUST REMAIN WITHIN DIMENSIONS	MATERIAL NO.	DOCUMENT NO.	SHEET NO.		
				SEE TABLE		4 OF 4		
				SIZE A3	THIS DRAWING CONTAINS INFORMATION THAT IS PROPRIETARY TO MOLEX INCORPORATED AND SHOULD NOT BE USED WITHOUT WRITTEN PERMISSION			

9 8 7 6 5 4 3 2 1