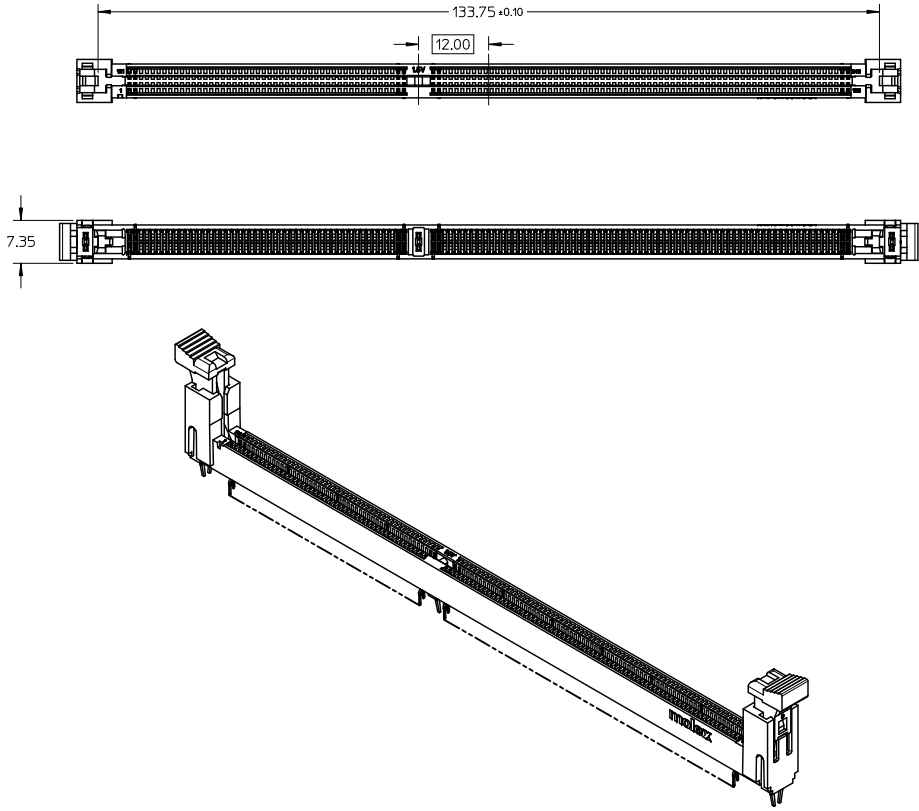


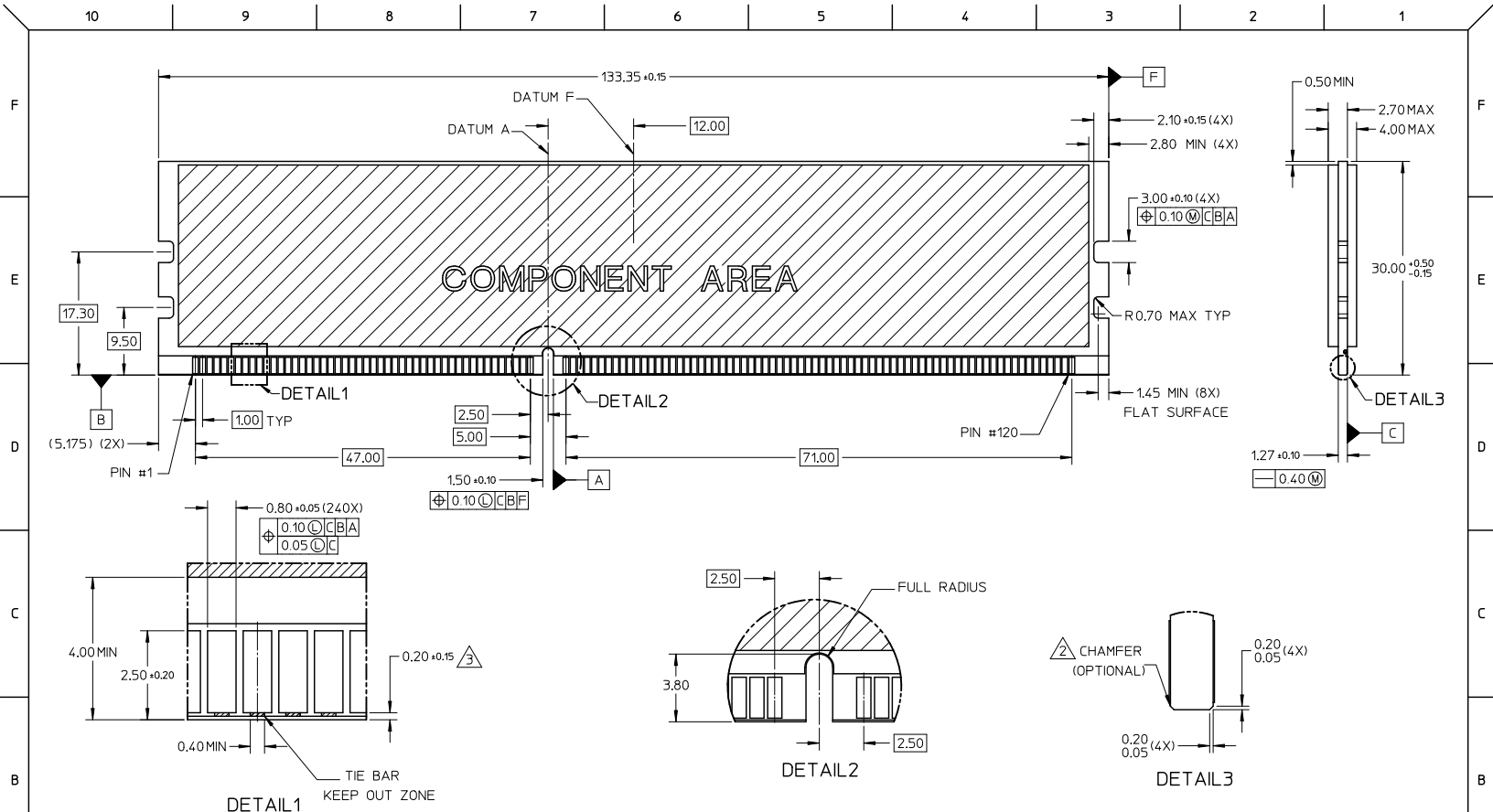
10 9 8 7 6 5 4 3 2 1



FORK LOCK UPDATED E.C. NO: SZ2010-0888 DRAWN: JAKEEM 2010/04/23 CHECKED: CTEH 2010/06/10 APPR: SALENI 2010/06/13	QUALITY SYMBOLS ▽=0 ▽=0 ▽=0	GENERAL TOLERANCES (UNLESS SPECIFIED)		DIMENSION STYLE MM ONLY		SCALE NTS	DESIGN UNITS METRIC	THIRD ANGLE PROJECTION	
		4 PLACES ± --- ± ---	mm INCH	DRAWN BY YTYANG01	DATE 2007/09/24	TITLE DDR3 DIMM, 100MM PITCH 240 CKTS, VERTICAL, T/H LOW LLCR			
		3 PLACES ± --- ± ---	± 0.2 ± ---	CHECKED BY CTEH	DATE 2007/11/12	MOLEX INCORPORATED			
		2 PLACES ± --- ± ---	± --- ± ---	APPROVED BY SHLENI	DATE 2010/06/10	MATERIAL NO. SEE TABLE	DOCUMENT NO. SD-78321-001	SHEET NO. 2 OF 7	
1 PLACE ± --- ± ---	ANGULAR ± 1°	DRAFT WHERE APPLICABLE MUST REMAIN WITHIN DIMENSIONS		THIS DRAWING CONTAINS INFORMATION THAT IS PROPRIETARY TO MOLEX INCORPORATED AND SHOULD NOT BE USED WITHOUT WRITTEN PERMISSION					

tb_frame_A3_P_AM_T
Rev. F 2009/06/18

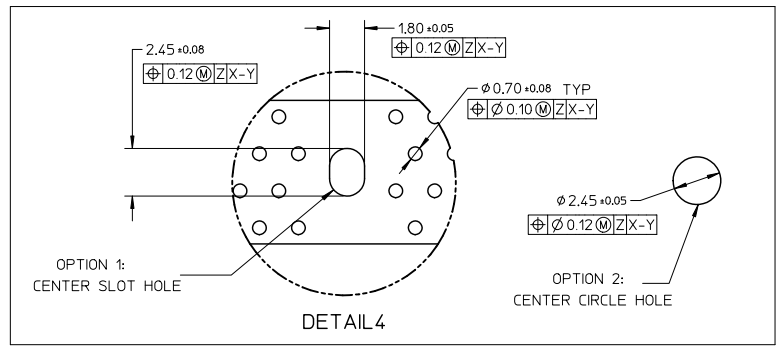
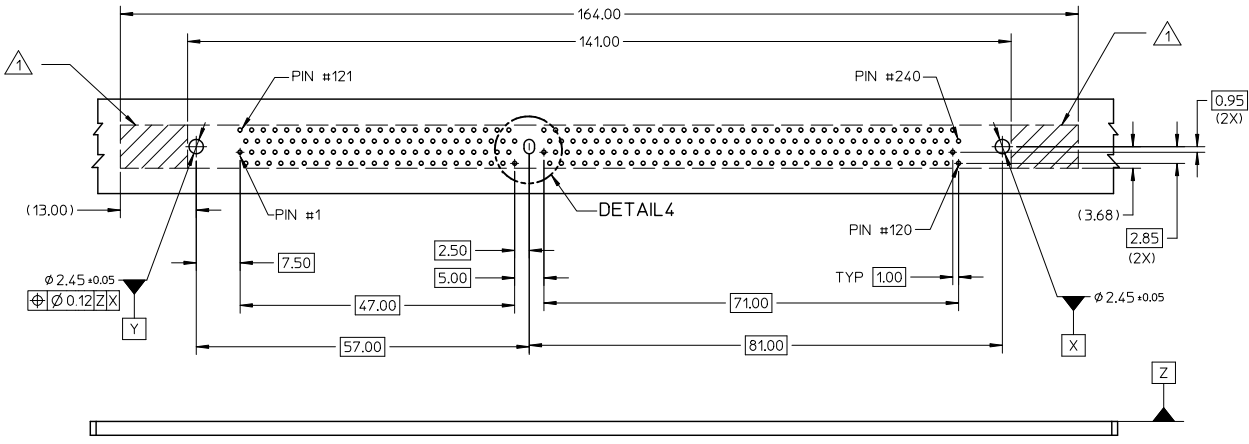
9 8 7 6 5 4 3 2 1



- NOTES:
- RECOMMENDED PLATING FOR CONTACT PADS:
 PREFERRED: 0.76 MICROMETERS GOLD PLATING MIN OVER 2.00 MICROMETERS NICKEL
 ALTERNATIVE: 0.05-0.75 MICROMETERS GOLD PLATING OVER 2.00 MICROMETERS NICKEL MUST USE AN ELECTRONIC CONTACT GRADE CORROSIVE BARRIER LUBRICANT
 - CHAMFER IS OPTIONAL AND IS NOT TO HIT THE GOLD PADS
 - LEADING EDGE OF GOLD PADS SPECIFIED BY KEEPOUT ZONE SHALL BE FREE OF BURRS AND EXTERNAL TIE BARS

FORKLOCK UPDATED IEC NO: S2010-0888 DRAWN: JAKEEM 2010/04/23 CHECKED: CTEH 2010/06/10 APPR: SHLENI 2010/06/13 REV 10	QUALITY SYMBOLS $\nabla=0$ $\nabla=0$ $\nabla=0$	GENERAL TOLERANCES (UNLESS SPECIFIED) <table border="1"> <tr> <th></th> <th>mm</th> <th>INCH</th> </tr> <tr> <td>4 PLACES</td> <td>± ---</td> <td>± ---</td> </tr> <tr> <td>3 PLACES</td> <td>± ---</td> <td>± ---</td> </tr> <tr> <td>2 PLACES</td> <td>± 0.2</td> <td>± ---</td> </tr> <tr> <td>1 PLACE</td> <td>± ---</td> <td>± ---</td> </tr> <tr> <td colspan="3">ANGULAR ± 1°</td> </tr> </table>		mm	INCH	4 PLACES	± ---	± ---	3 PLACES	± ---	± ---	2 PLACES	± 0.2	± ---	1 PLACE	± ---	± ---	ANGULAR ± 1°			DIMENSION STYLE MM ONLY	SCALE NTS	DESIGN UNITS METRIC	THIRD ANGLE PROJECTION
		mm	INCH																					
	4 PLACES	± ---	± ---																					
	3 PLACES	± ---	± ---																					
2 PLACES	± 0.2	± ---																						
1 PLACE	± ---	± ---																						
ANGULAR ± 1°																								
		DRAWN BY YTYANG01	DATE 2007/09/24	TITLE DDR3 DIMM, 100MM PITCH 240 CKTS, VERTICAL, T/H LOW LLCR																				
		CHECKED BY CTEH	DATE 2007/11/12	MOLEX INCORPORATED																				
		APPROVED BY SHLENI	DATE 2010/06/10	MATERIAL NO. SEE TABLE	DOCUMENT NO. SD-78321-001	SHEET NO. 3 OF 7																		

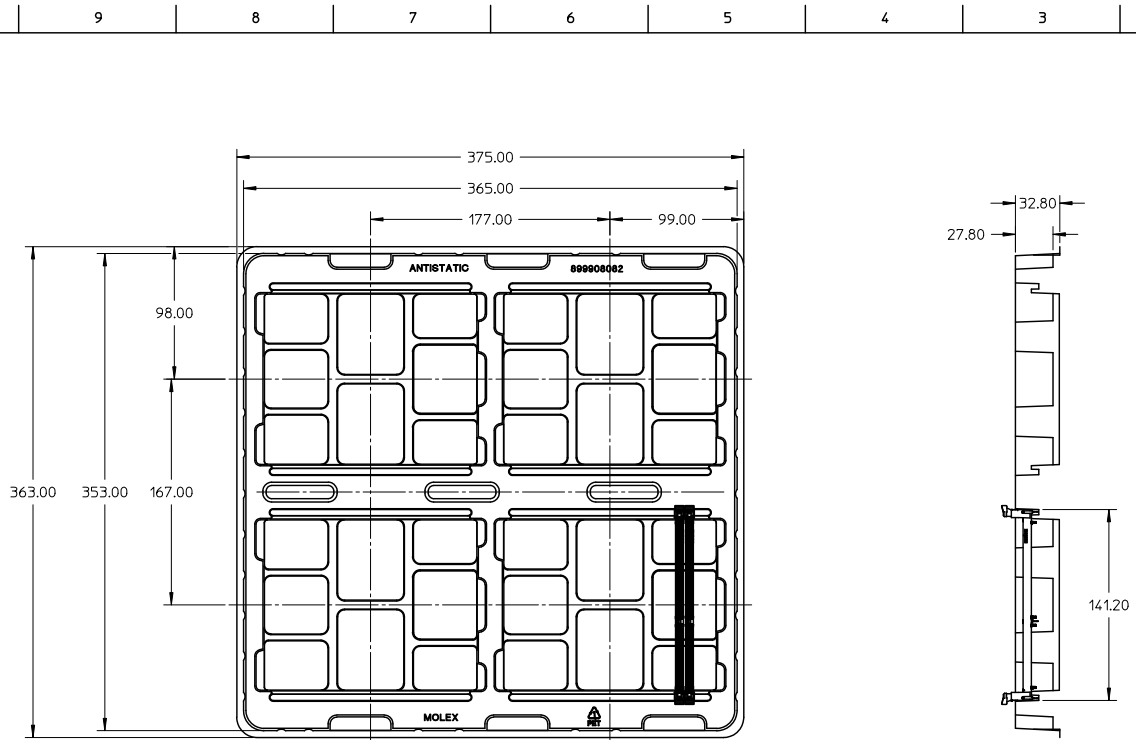
10 9 8 7 6 5 4 3 2 1



NOTE:
 △ KEEP-OUT AREA IS THE AREA WHERE THE CONNECTOR
 (INCLUDING LATCH) IS MOUNTED ON PCB

FORKLOCK UPDATED EEC NO: S2010-0888 DRAWN: JAKEMEM 2010/04/23 CHECKED: CTEH 2010/06/10 APPR: SHLENI 2010/06/13	QUALITY SYMBOLS ▽=0 ▽=0 ▽=0	GENERAL TOLERANCES (UNLESS SPECIFIED)		DIMENSION STYLE MM ONLY		SCALE NTS	DESIGN UNITS METRIC	THIRD ANGLE PROJECTION		
		4 PLACES ± --- ± ---	DRAWN BY YTYANG01	DATE 2007/09/24	TITLE DDR3 DIMM, 100MM PITCH 240 CKTS, VERTICAL, T/H LOW LLCR		MOLEX INCORPORATED		SHEET NO. 4 OF 7	
		3 PLACES ± --- ± ---	CHECKED BY CTEH	DATE 2007/11/12	MATERIAL NO. SEE TABLE					
		2 PLACES ± 0.2 ± ---	APPROVED BY SHLENI	DATE 2010/06/10	DRAFT WHERE APPLICABLE MUST REMAIN WITHIN DIMENSIONS		THIS DRAWING CONTAINS INFORMATION THAT IS PROPRIETARY TO MOLEX INCORPORATED AND SHOULD NOT BE USED WITHOUT WRITTEN PERMISSION			

9 8 7 6 5 4 3 2 1



NOTES:
1. QTY OF CAVITY : 20 X 4 = 80 PCS

FORK LOCK UPDATED
EC NO: S2010-0888
DRAWN: JAKEMEM 2010/06/10
CHKD: CCTEH 2010/06/10
APPR: SHLENI 2010/06/10

REV	DESCRIPTION
10	

QUALITY SYMBOLS	
	=0
	=0
	=0

GENERAL TOLERANCES (UNLESS SPECIFIED)	
	mm
4 PLACES	± 0.15
3 PLACES	± 0.20
2 PLACES	± 0.25
1 PLACE	± 0.30
ANGULAR ± 1°	

DIMENSION STYLE	
MM ONLY	
DRAWN BY	DATE
YTYANG01	2007/09/24
CHECKED BY	DATE
CCTEH	2007/11/12
APPROVED BY	DATE
SHLENI	2010/06/10

SCALE	DESIGN UNITS	THIRD ANGLE PROJECTION
NTS	METRIC	
TITLE		
DDR3 DIMM, 1.00MM PITCH 240 CKTS, VERTICAL, T/H LOW LLCR		
MOLEX INCORPORATED		
MATERIAL NO.	DOCUMENT NO.	SHEET NO.
SEE TABLE	SD-78321-001	5 OF 7

DRAFT WHERE APPLICABLE
MUST REMAIN
WITHIN DIMENSIONS

SIZE A3

THIS DRAWING CONTAINS INFORMATION THAT IS PROPRIETARY TO MOLEX INCORPORATED AND SHOULD NOT BE USED WITHOUT WRITTEN PERMISSION

10 | 9 | 8 | 7 | 6 | 5 | 4 | 3 | 2 | 1

ASSEMBLY PART NO.	VOLTAGE KEY	DIM 'P'	FORKLOCK LENGTH	RECOMMENDED PCB THICKNESS	PLATING OPTION	HOUSING COLOUR	LATCH COLOUR	PRODUCT SPECIFICATION
78321-0011	CENTRE (1.5V)	2.67	3.94	1.57	0.76 MICROMETER/ 30 MICROINCH MIN. GOLD ON CONTACT 2.54 MICROMETER/ 100 MICROINCH MIN. PURE TIN (MATTE) ON SOLDER TAILS 1.27 MICROMETER/ 50 MICROINCH MIN. NICKEL UNDERPLATE	BLACK	BLACK	PS-78321-001
78321-0016				NATURAL (OFF-WHITE)				
78321-0013				BLACK				
78321-0017		NATURAL (OFF-WHITE)						
78321-0012		BLACK						
78321-0018		NATURAL (OFF-WHITE)						
78321-0001		BLACK		PS-78321-002				
78321-0006		NATURAL (OFF-WHITE)						
78321-0003		BLACK						
78321-0007		NATURAL (OFF-WHITE)						
78321-0002	BLACK							
78321-0008	NATURAL (OFF-WHITE)							
78321-0008								

FORKLOCK UPDATED EEC NO: S2010-0888 DRAWN: JAKEEM 2010/04/23 CHECKED: CTEH 2010/06/10 APPR: SHLENI 2010/06/13 REV: 10	QUALITY SYMBOLS	GENERAL TOLERANCES (UNLESS SPECIFIED)	DIMENSION STYLE	SCALE	DESIGN UNITS	THIRD ANGLE PROJECTION
	▽=0	mm INCH	MM ONLY	NTS	METRIC	
	▽=0	4 PLACES ± --- ± ---	DRAWN BY DATE	TITLE		
	▽=0	3 PLACES ± --- ± ---	YTYANG01 2007/09/24	DDR3 DIMM, 100MM PITCH 240 CKTS, VERTICAL, T/H LOW LLCR		
	▽=0	2 PLACES ± 0.2 ± ---	CCTEH 2007/11/12	MOLEX INCORPORATED		
	1 PLACE ± --- ± ---	APPROVED BY DATE	DOCUMENT NO.		SHEET NO.	
	ANGULAR ± 1°	SHLENI 2010/06/10	SD-78321-001		6 OF 7	
	DRAFT WHERE APPLICABLE MUST REMAIN WITHIN DIMENSIONS	MATERIAL NO.	THIS DRAWING CONTAINS INFORMATION THAT IS PROPRIETARY TO MOLEX INCORPORATED AND SHOULD NOT BE USED WITHOUT WRITTEN PERMISSION			
		SEE TABLE				
		SIZE A3				

tb_frame_A3_P_AM.T Rev. F 2009/06/18 | 9 | 8 | 7 | 6 | 5 | 4 | 3 | 2 | 1

10 9 8 7 6 5 4 3 2 1

ASSEMBLY PART NO.	VOLTAGE KEY	DIM 'P'	FORKLOCK LENGTH	RECOMMENDED PCB THICKNESS	PLATING OPTION	HOUSING COLOUR	LATCH COLOUR	PRODUCT SPECIFICATION				
78321-0051	CENTRE (15V)	3.18	3.18	2.36	0.76 MICROMETER/ 30 MICROINCH MIN. GOLD ON CONTACT 2.54 MICROMETER/ 100 MICROINCH MIN. PURE TIN (MATTE) ON SOLDER TAILS 1.27 MICROMETER/ 50 MICROINCH MIN. NICKEL UNDERPLATE	BLACK	NATURAL (OFF-WHITE)	PS-78321-001				
78321-0052						NATURAL (OFF-WHITE)						
78321-0053						BLUE						
78321-0055						GREEN						
78321-0151						BLACK						
78321-0152						NATURAL (OFF-WHITE)						
78321-0153		BLUE										
78321-0155		GREEN										
78321-0061		2.67		1.57		2.36			BLACK			
78321-0062									NATURAL (OFF-WHITE)			
78321-0063									BLUE			
78321-0065									GREEN			
78321-0161									BLACK			
78321-0162									NATURAL (OFF-WHITE)			
78321-0163		BLUE										
78321-0165		GREEN										
78321-0261		3.18		1.57		2.36			0.38 MICROMETER/ 15 MICROINCH MIN. GOLD ON CONTACT 2.54 MICROMETER/ 100 MICROINCH MIN. PURE TIN (MATTE) ON SOLDER TAILS 1.27 MICROMETER/ 50 MICROINCH MIN. NICKEL UNDERPLATE	BLACK	BLACK	PS-78321-002
78321-0262									NATURAL (OFF-WHITE)			
78321-0263	BLUE											
78321-0265	GREEN											
78321-0361	BLACK											
78321-0362	NATURAL (OFF-WHITE)											
78321-0363	BLUE											
78321-0365	2.67	1.57	2.36	GREEN								

FORKLOCK UPDATED EC NO: S2010-0888 DRAWN: JAKEMEM 2010/04/23 CHECKED: CTEH 2010/06/10 APPR: SHLENI 2010/06/13	QUALITY SYMBOLS 	GENERAL TOLERANCES (UNLESS SPECIFIED)		DIMENSION STYLE MM ONLY		SCALE NTS	DESIGN UNITS METRIC	THIRD ANGLE PROJECTION	
			mm	INCH	DRAWN BY YYANG01	DATE 2007/09/24	TITLE DDR3 DIMM, 100MM PITCH 240 CKTS, VERTICAL, T/H LOW LLCR		
		4 PLACES	± ---	± ---	CHECKED BY CTEH	DATE 2007/11/12	MOLEX INCORPORATED		
		3 PLACES	± ---	± ---	APPROVED BY SHLENI	DATE 2010/06/10	DOCUMENT NO. SD-78321-001	SHEET NO. 7 OF 7	
2 PLACES	± 0.2	± ---	MATERIAL NO. SEE TABLE		THIS DRAWING CONTAINS INFORMATION THAT IS PROPRIETARY TO MOLEX INCORPORATED AND SHOULD NOT BE USED WITHOUT WRITTEN PERMISSION				
1 PLACE	± ---	± ---	ANGULAR ± 1°						
DRAFT WHERE APPLICABLE MUST REMAIN WITHIN DIMENSIONS									

10 9 8 7 6 5 4 3 2 1

tb_frame_A3_P_AM.T
Rev. F 2009/06/18