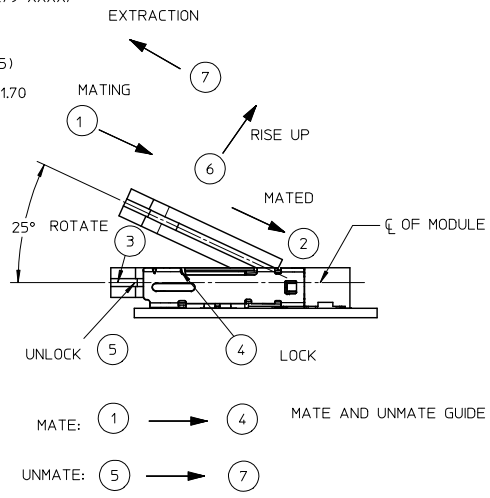
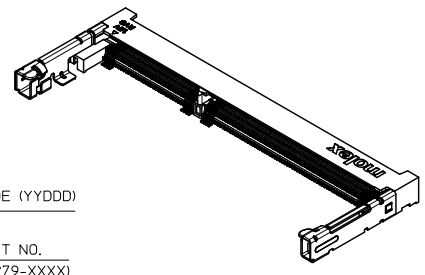
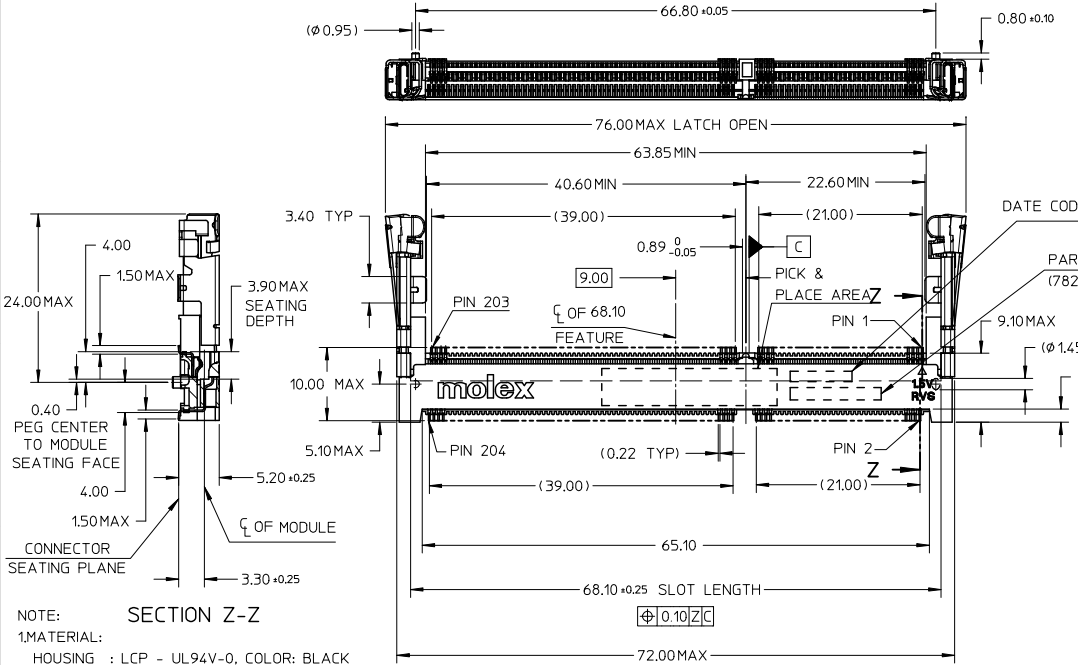


10 9 8 7 6 5 4 3 2 1

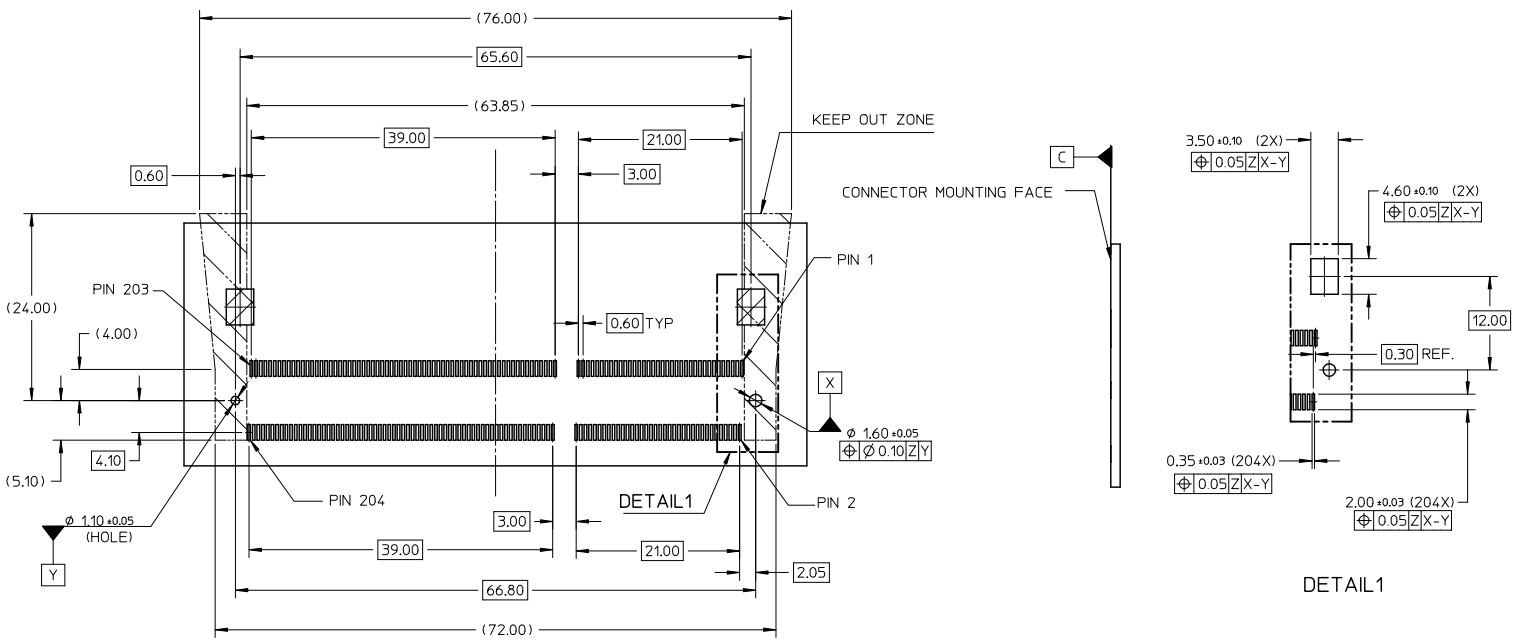


NOTE: SECTION Z-Z
 1. MATERIAL:
 HOUSING : LCP - UL94V-0, COLOR: BLACK
 CONTACTS : COPPER ALLOY
 LOCK LEVER : STAINLESS STEEL
 2. FINISHES:
 CONTACT AREA : REFER TABLE IN SHEET 6.
 SOLDER TAIL AREA : REFER TABLE IN SHEET 6.
 LOCK LEVER SOLDER PAD : 100 MICRONCH / 2.54 MICROMETER MATTE TIN OVER
 50 MICRONCH / 1.27 MICROMETER NICKEL.
 3. RECOMMENDED MODULE LAYOUT SHALL BE AS PER JEDEC MO-268
 4. PRODUCT SPECIFICATION : REFER TABLE IN SHEET 6
 5. PACKAGING SPECIFICATION: PART SHALL BE PACKED IN TRAY
 OR TAPE AND REEL.
 6. EDGE OF CONTACT PADS SHALL BE FREE OF BURRS AND EXTERNAL
 TIE BARS.
 7. THE ADDITION OF THIS BEVEL IS A FABRICATION OPTION
 AND IS NOT REQUIRED. THE BEVEL AIDS THE INSERTION
 OF THE MODULES INTO THE CONNECTOR.
 THE BEVEL MUST NOT ENCORACH ONTO GOLD OADS.
 8. COPLANARITY INCLUDES HOLD DOWN 0.1 MAX.

CUST REQ DIM ADD EC NO: S2010-0146 DRWN: VMANICKAM CHKD: CTEH APPR: SHLENI	QUALITY SYMBOLS ▽=0 ▽=0	GENERAL TOLERANCES (UNLESS SPECIFIED)		DIMENSION STYLE MM ONLY		SCALE NTS	DESIGN UNITS METRIC	THIRD ANGLE PROJECTION	
		4 PLACES ± --- ± ---	3 PLACES ± --- ± ---	2 PLACES ± 0.2 ± ---	1 PLACE ± --- ± ---	ANGULAR ± 1°	DRAWN BY CMTEO	DATE 2007/03/16	TITLE DDR3 SO DIMM 204 CKTS, 5.2MM HEIGHT REVERSE ORIENTATION
B4	DESCRIPTION	DRAFT WHERE APPLICABLE MUST REMAIN WITHIN DIMENSIONS		SEE TABLE		APPROVED BY SHLENI	DATE 2007/04/23	MATERIAL NO. SD-78279-001	
				SIZE A3		DOCUMENT NO. SD-78279-001		SHEET NO. 1 OF 6	

tb_frame_A3_P_AM.T
Rev. E 2006/04/15

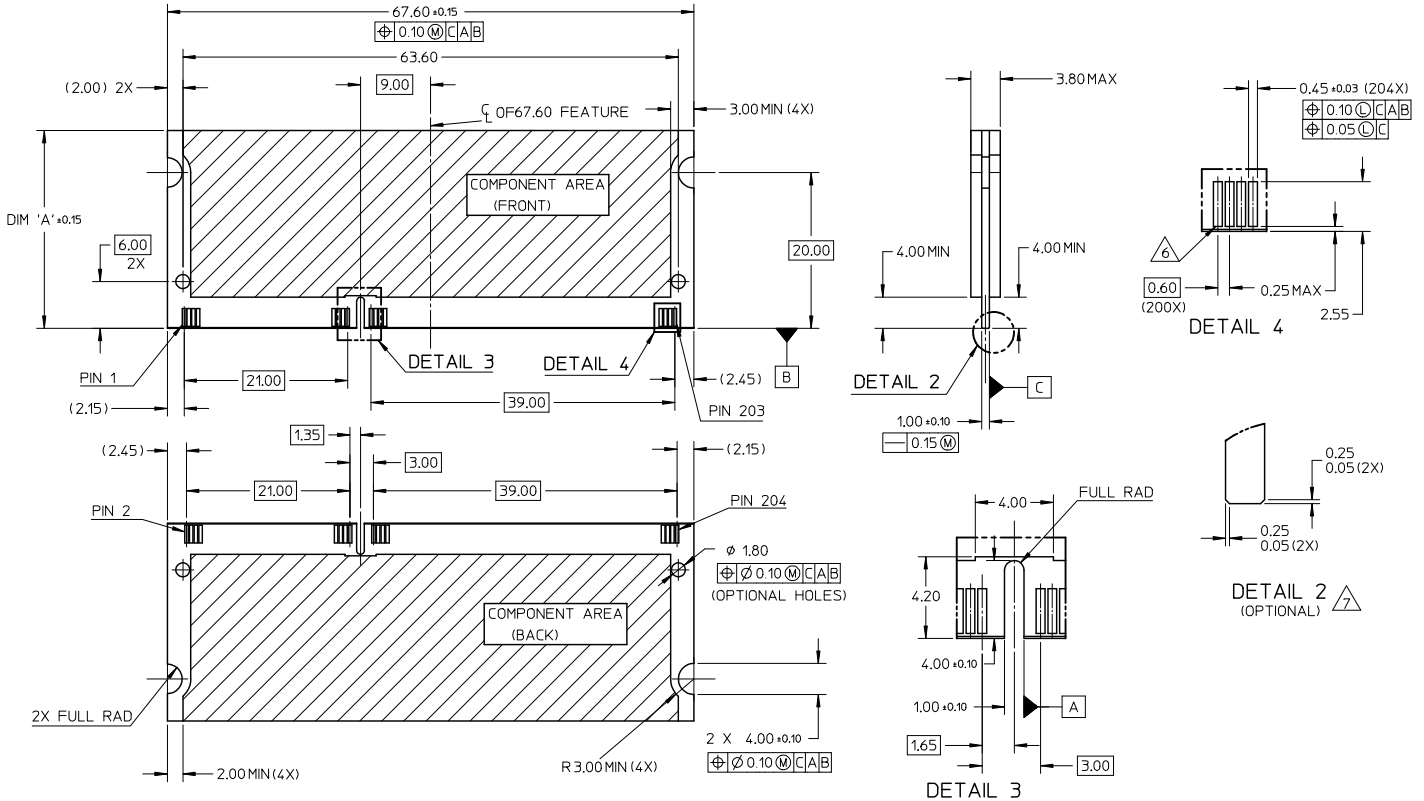
RECOMMENDED PCB LAYOUT



CUST REQ DIM ADD EEC NO: S2010-0146 DRAWN: VMANICKAM 2009/08/18 CHECKED: CHYKUCIYEH 2009/08/20 APPR: SHLENI 2009/08/20 REV B4	QUALITY SYMBOLS ▽=0 ▽=0	GENERAL TOLERANCES (UNLESS SPECIFIED) mm INCH 4 PLACES ± --- ± --- 3 PLACES ± --- ± --- 2 PLACES ± 0.2 ± --- 1 PLACE ± --- ± --- ANGULAR ± 1°	DIMENSION STYLE MM ONLY DRAWN BY: CMTEO DATE: 2007/03/16 CHECKED BY: VMANICKAM DATE: 2007/04/23 APPROVED BY: SHLENI DATE: 2007/04/23	SCALE: NTS DESIGN UNITS: METRIC THIRD ANGLE PROJECTION	TITLE: DDR3 SO DIMM 204 CKTS, 5.2MM HEIGHT REVERSE ORIENTATION MOLEX INCORPORATED
	DRAFT WHERE APPLICABLE MUST REMAIN WITHIN DIMENSIONS	MATERIAL NO.: SEE TABLE SIZE: A3	DOCUMENT NO.: SD-78279-001 SHEET NO.: 2 OF 6	THIS DRAWING CONTAINS INFORMATION THAT IS PROPRIETARY TO MOLEX INCORPORATED AND SHOULD NOT BE USED WITHOUT WRITTEN PERMISSION	

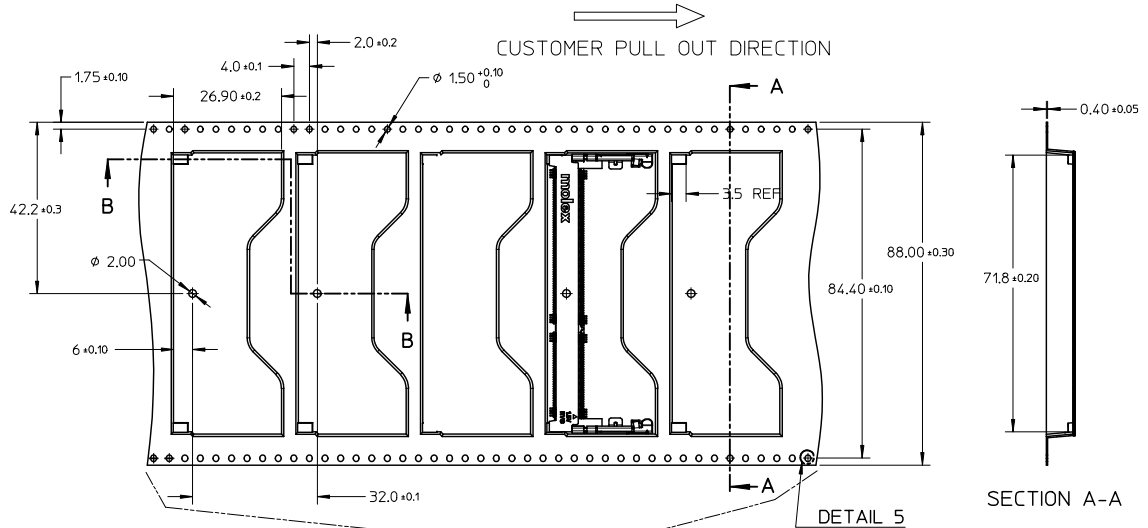
10 9 8 7 6 5 4 3 2 1

RECOMMENDED MATING PCB CONFIGURATION

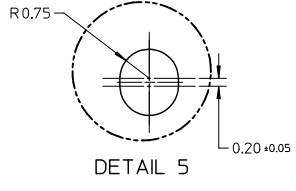
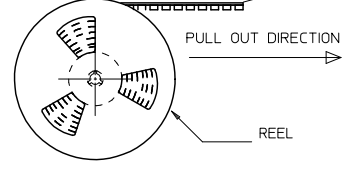


SDRAM VARIATION FROM JEDEC MO-268			
	AA	BB	CC
DIM 'A'	25.40	31.75	30.00

CUST REQ DIM ADD EC NO: S2010-0146 DRAWN: VMANICKAM 2009/08/18 CHKD: CTEH 2009/08/20 APPR: SHLENI 2009/08/20	QUALITY SYMBOLS ▽=0 ▽=0	GENERAL TOLERANCES (UNLESS SPECIFIED)	DIMENSION STYLE MM ONLY	SCALE NTS	DESIGN UNITS METRIC	THIRD ANGLE PROJECTION																
		<table border="1"> <tr> <th></th> <th>mm</th> <th>INCH</th> </tr> <tr> <td>4 PLACES</td> <td>± ---</td> <td>± ---</td> </tr> <tr> <td>3 PLACES</td> <td>± ---</td> <td>± ---</td> </tr> <tr> <td>2 PLACES</td> <td>± 0.2</td> <td>± ---</td> </tr> <tr> <td>1 PLACE</td> <td>± ---</td> <td>± ---</td> </tr> <tr> <td>ANGULAR</td> <td colspan="2">± 1°</td> </tr> </table>		mm	INCH	4 PLACES	± ---	± ---	3 PLACES	± ---	± ---	2 PLACES	± 0.2	± ---	1 PLACE	± ---	± ---	ANGULAR	± 1°		DRAWN BY CMTEO	DATE 2007/03/16
	mm	INCH																				
4 PLACES	± ---	± ---																				
3 PLACES	± ---	± ---																				
2 PLACES	± 0.2	± ---																				
1 PLACE	± ---	± ---																				
ANGULAR	± 1°																					
		DRAFT WHERE APPLICABLE MUST REMAIN WITHIN DIMENSIONS	SEE TABLE	APPROVED BY SHLENI	DATE 2007/04/23	MOLEX INCORPORATED																
REV B4	DESCRIPTION		MATERIAL NO. SEE TABLE	DOCUMENT NO. SD-78279-001	SHEET NO. 3 OF 6																	

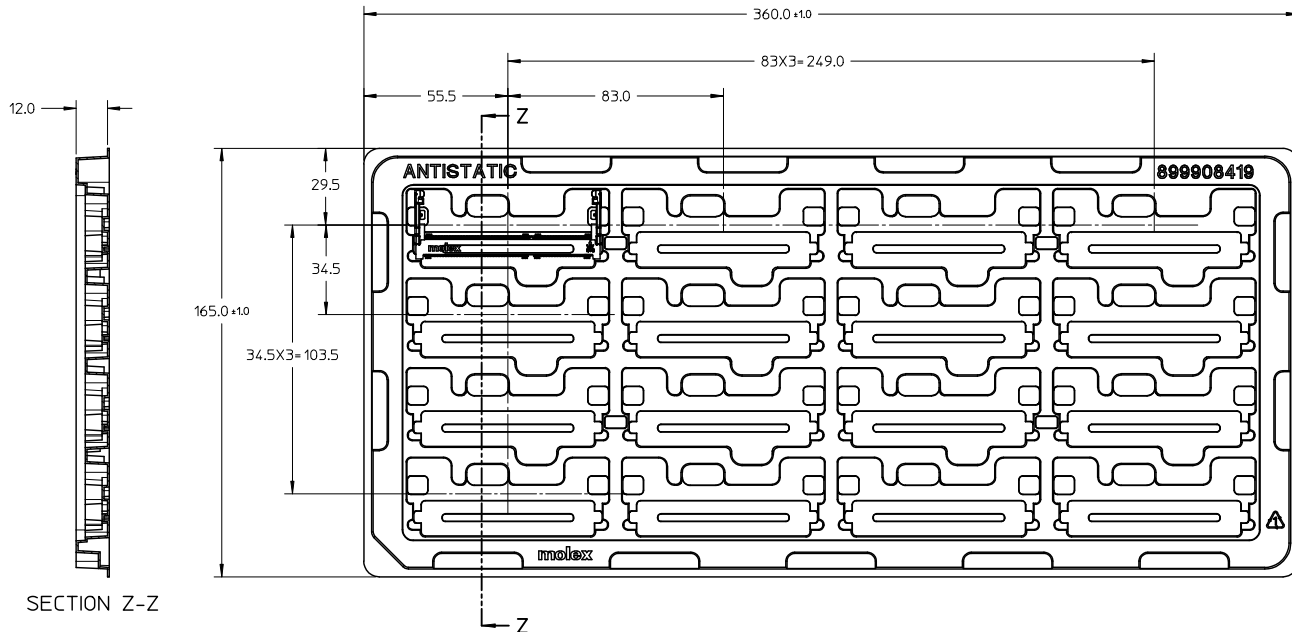


- NOTES:
- LEADER AND TRAILER TAPE
 - PEELING OFF FORCE OF THE TOP TAPE: 10 - 150gf.
 (PEELING DIRECTION AS SHOWN IN FOLLOWING FIGURE)
 - TAPE AND REEL SPECIFICATION IS AS PER EIA-481.
 - TAPE AND REEL QUANTITY : 200 PCS/ REEL.
 - THE TAPE IS TREATED FOR ANTI-STATIC.



CUST REQ DIM ADD EC NO: S2010-0146 DRAWN: VMANICKAM CHKD: CTEH APPR: SHLENI	DESCRIPTION B4	QUALITY SYMBOLS	GENERAL TOLERANCES (UNLESS SPECIFIED)	DIMENSION STYLE	SCALE	DESIGN UNITS	THIRD ANGLE PROJECTION
		$\nabla=0$ $\nabla=0$	mm INCH 4 PLACES ± --- ± --- 3 PLACES ± --- ± --- 2 PLACES ± 0.2 ± --- 1 PLACE ± --- ± --- ANGULAR ± 1°	MM ONLY	NTS	METRIC	
			DRAFT WHERE APPLICABLE MUST REMAIN WITHIN DIMENSIONS	SEE TABLE			
				DRAWN BY: CMTEO CHECKED BY: VMANICKAM APPROVED BY: SHLENI	DATE: 2007/03/16 DATE: 2007/04/23 DATE: 2007/04/23	TITLE: DDR3 SO DIMM 204 CKTS, 5.2MM HEIGHT REVERSE ORIENTATION	
				MATERIAL NO. SEE TABLE	DOCUMENT NO. SD-78279-001	MOLEX INCORPORATED	
				SIZE: A3	THIS DRAWING CONTAINS INFORMATION THAT IS PROPRIETARY TO MOLEX INCORPORATED AND SHOULD NOT BE USED WITHOUT WRITTEN PERMISSION		

10 9 8 7 6 5 4 3 2 1



SECTION Z-Z

NOTES:

- 1. NO OF CAVITY : 4 X 4 = 16
- 2. UNSPECIFIED TOLERANCE FOR TRAY +0.5

CUST REQ DIM ADD EEC NO: S2010-0146 DRAWN: VMANICKAM CHYK: CTEH APPR: SHLENI 2009/08/18 2009/08/20 2009/08/20	QUALITY SYMBOLS ▽=0 ▽=0	GENERAL TOLERANCES (UNLESS SPECIFIED)		DIMENSION STYLE MM ONLY		SCALE NTS	DESIGN UNITS METRIC	THIRD ANGLE PROJECTION	
			mm	INCH	DRAWN BY CMTEO	DATE 2007/03/16	TITLE DDR3 SO DIMM 204 CKTS, 5.2MM HEIGHT REVERSE ORIENTATION		
		4 PLACES	± ---	± ---	CHECKED BY VMANICKAM	DATE 2007/04/23	MOLEX INCORPORATED		
		3 PLACES	± ---	± ---	APPROVED BY SHLENI	DATE 2007/04/23	MATERIAL NO. SEE TABLE	DOCUMENT NO. SD-78279-001	SHEET NO. 5 OF 6
2 PLACES	± 0.2	± ---	DRAFT WHERE APPLICABLE MUST REMAIN WITHIN DIMENSIONS						THIS DRAWING CONTAINS INFORMATION THAT IS PROPRIETARY TO MOLEX INCORPORATED AND SHOULD NOT BE USED WITHOUT WRITTEN PERMISSION
1 PLACE	± ---	± ---	ANGULAR ± 1 °						

9 8 7 6 5 4 3 2 1

10 | 9 | 8 | 7 | 6 | 5 | 4 | 3 | 2 | 1

PART NO	CONTACT AREA FINISH	SOLDER TAIL FINISH	PACKAGING	PRODUCT SPECIFICATION
78279-0001	3µN GOLD OVER 50µN/1.27µM NICKEL	100 MICROINCH /2.54 MICROMETER MATTE TIN OVER 50 MICEOINCH / 1.27 MICROMETER.	TRAY (360X165MM)	PS-78279-003
78279-1501	15µN/0.38µM GOLD OVER 50µN/1.27µM NICKEL			PS-78279-002
78279-3001	30µN/0.76µM GOLD OVER 50µN/1.27µM NICKEL			PS-78279-001
78279-0002	3µN GOLD OVER 50µN/1.27µM NICKEL	GOLD FLASH OVER 50µN/1.27µM NICKEL.		PS-78279-003
78279-1502	15µN/0.38µM GOLD OVER 50µN/1.27µM NICKEL			PS-78279-002
78279-3002	30µN/0.76µM GOLD OVER 50µN/1.27µM NICKEL			PS-78279-001
78279-0011	3µN GOLD OVER 50µN/1.27µM NICKEL	100 MICROINCH /2.54 MICROMETER MATTE TIN OVER 50 MICEOINCH / 1.27 MICROMETER.	TAPE&REEL	PS-78279-003
78279-1511	15µN/0.38µM GOLD OVER 50µN/1.27µM NICKEL			PS-78279-002
78279-3011	30µN/0.76µM GOLD OVER 50µN/1.27µM NICKEL			PS-78279-001
78279-0012	3µN GOLD OVER 50µN/1.27µM NICKEL	GOLD FLASH OVER 50µN/1.27µM NICKEL.		PS-78279-003
78279-1512	15µN/0.38µM GOLD OVER 50µN/1.27µM NICKEL			PS-78279-002
78279-3012	30µN/0.76µM GOLD OVER 50µN/1.27µM NICKEL			PS-78279-001

CUST REQ DIM ADD EEC NO: SZ2010-0146 DRAWN: VMANICKAM 2009/08/18 CHECKED: CHYKUCIEH 2009/08/20 APPR: SHLENI 2009/08/20 REV: B4	QUALITY SYMBOLS ▽=0 ▽=0	GENERAL TOLERANCES (UNLESS SPECIFIED)		DIMENSION STYLE MM ONLY		SCALE NTS	DESIGN UNITS METRIC	THIRD ANGLE PROJECTION	
			mm	INCH	DRAWN BY CMTEO	DATE 2007/03/16	TITLE DDR3 SO DIMM 204 CKTS, 5.2MM HEIGHT REVERSE ORIENTATION		
		4 PLACES	± ---	± ---	CHECKED BY VMANICKAM	DATE 2007/04/23	MOLEX INCORPORATED		
		3 PLACES	± ---	± ---	APPROVED BY SHLENI	DATE 2007/04/23	MATERIAL NO. SEE TABLE	DOCUMENT NO. SD-78279-001	SHEET NO. 6 OF 6
2 PLACES	± 0.2	± ---	DRAFT WHERE APPLICABLE MUST REMAIN WITHIN DIMENSIONS						
1 PLACE	± ---	± ---	SIZE A3 THIS DRAWING CONTAINS INFORMATION THAT IS PROPRIETARY TO MOLEX INCORPORATED AND SHOULD NOT BE USED WITHOUT WRITTEN PERMISSION						
ANGULAR ± 1 °									

tb_frame_A3_P_AM_T
Rev. E 2006/04/15

9 | 8 | 7 | 6 | 5 | 4 | 3 | 2 | 1