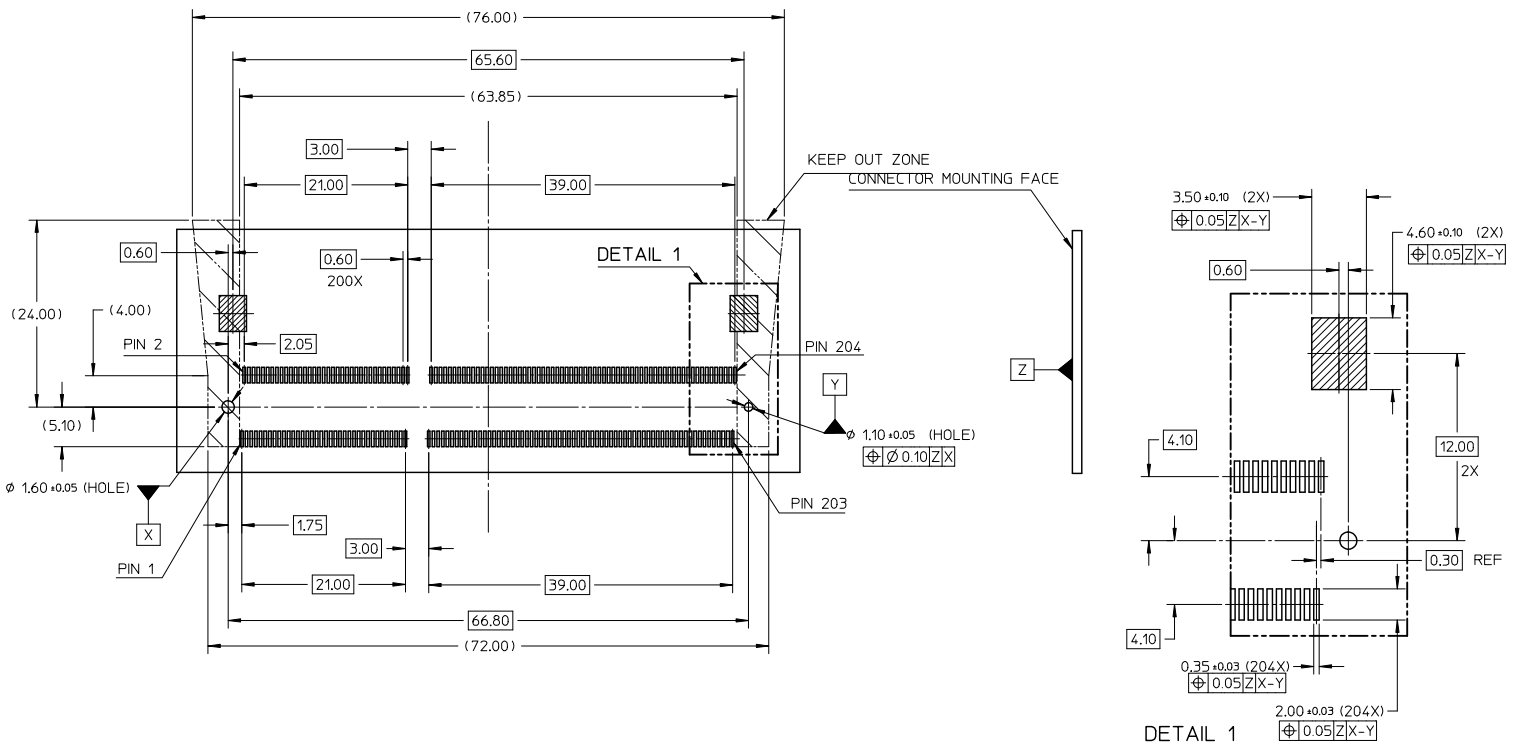


10 9 8 7 6 5 4 3 2 1

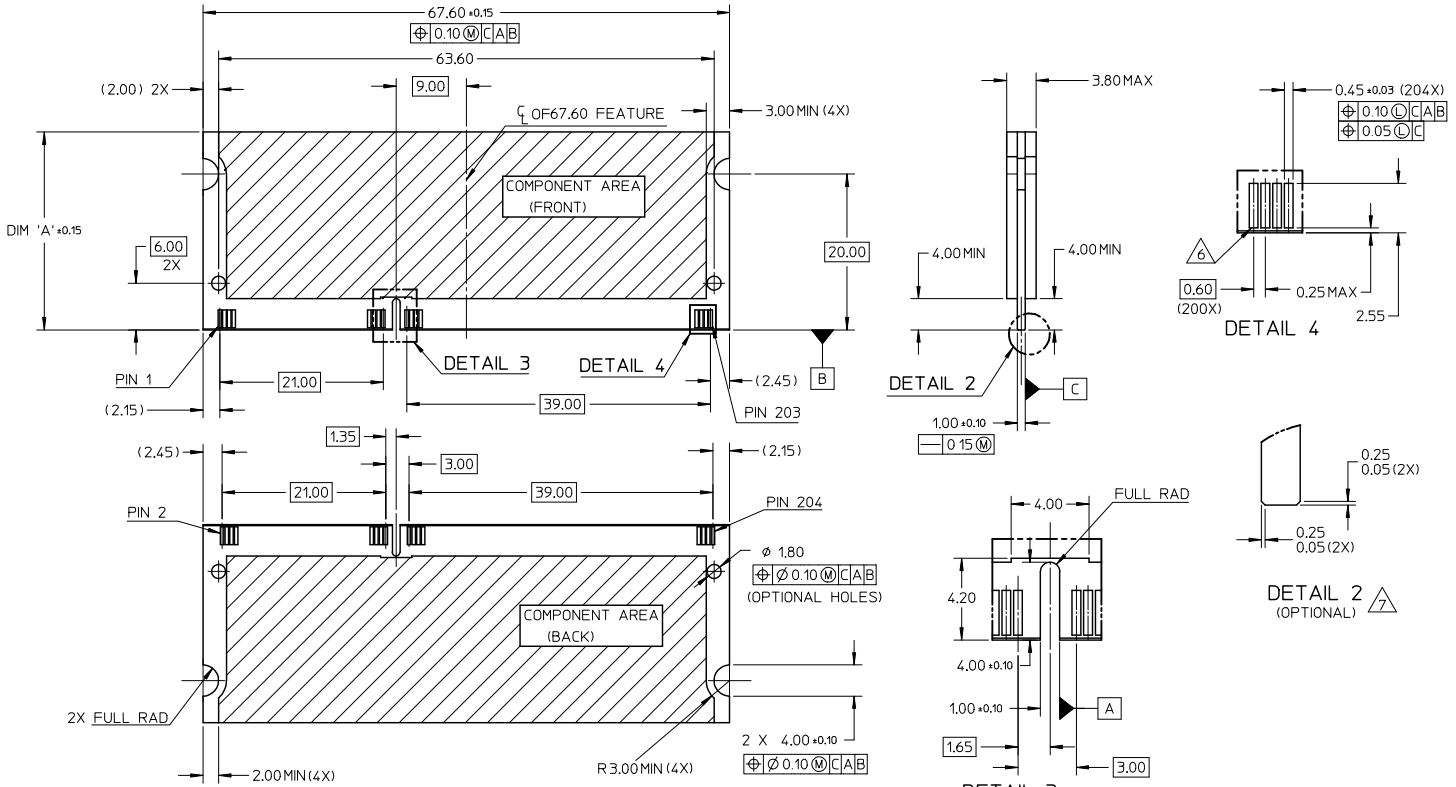
RECOMMENDED PCB LAYOUT FOR STANDARD ORIENTATION (TOP VIEW)



CUST REQ DIM ADD EIC NO: S2010-0146 DRWN:VMANICKAM 2009/08/18 CHYK:CCTEH 2009/08/20 APPR:SHLENI 2009/08/20 A4	QUALITY SYMBOLS ▽=0 ▽=0	GENERAL TOLERANCES (UNLESS SPECIFIED)		DIMENSION STYLE MM ONLY		SCALE NTS	DESIGN UNITS METRIC	THIRD ANGLE PROJECTION		
		4 PLACES ± --- ± ---	3 PLACES ± --- ± ---	DRAWN BY VMANICKAM	DATE 2006/08/08	TITLE DDR3 SO DIMM, 204 CKTS 5.2MM HEIGHT STANDARD ORIENTATION				
		2 PLACES ± 0.2 ± ---	1 PLACE ± --- ± ---	CHECKED BY SHLENI	DATE 2006/09/12	MOLEX INCORPORATED				
		ANGULAR ± 1 °		APPROVED BY GGLEE	DATE 2006/09/12	MATERIAL NO. SEE TABLE		DOCUMENT NO. SD-78121-001	SHEET NO. 2 OF 6	
DRAFT WHERE APPLICABLE MUST REMAIN WITHIN DIMENSIONS				SIZE A3 THIS DRAWING CONTAINS INFORMATION THAT IS PROPRIETARY TO MOLEX INCORPORATED AND SHOULD NOT BE USED WITHOUT WRITTEN PERMISSION						

10 9 8 7 6 5 4 3 2 1

RECOMMENDED MATING PCB CONFIGURATION



SDRAM VARIATIONS FROM JEDEC MO-268			
	AA	BB	CC
DIM 'A'	25.40	31.75	30.00

CUST REQ DIM ADD
 ELC NO: S2010-0146
 DRWN: VMANICKAM
 CHKD: CTEH
 APPR: SHLENI
 2009/08/18
 2009/08/20
 2009/08/20

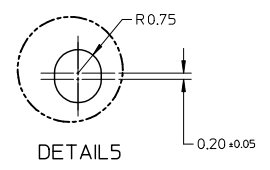
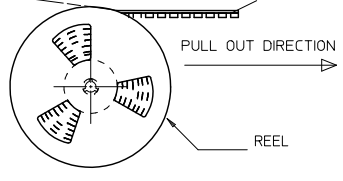
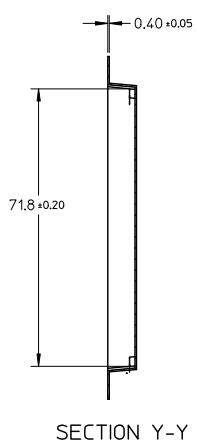
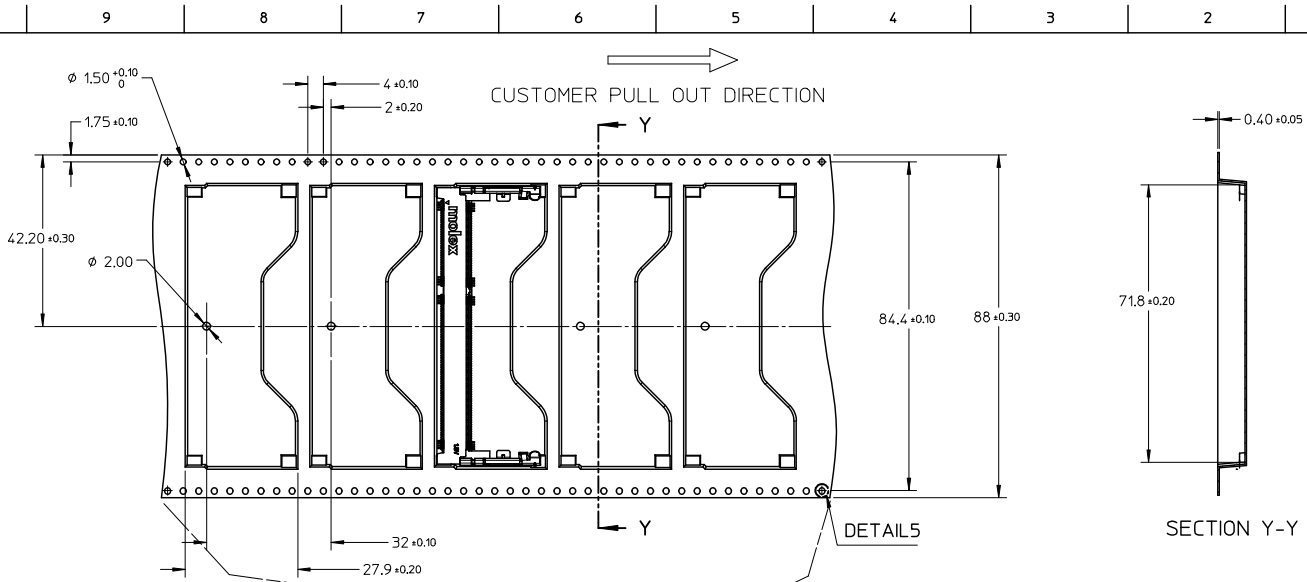
QUALITY SYMBOLS
 ▽=0
 ▽=0
 DESCRIPTION
 REV

GENERAL TOLERANCES (UNLESS SPECIFIED)		
	mm	INCH
4 PLACES	± ---	± ---
3 PLACES	± ---	± ---
2 PLACES	± 0.2	± ---
1 PLACE	± ---	± ---
ANGULAR ± 1°		
DRAFT WHERE APPLICABLE MUST REMAIN WITHIN DIMENSIONS		

DIMENSION STYLE	
MM ONLY	
DRAWN BY	DATE
VMANICKAM	2006/08/08
CHECKED BY	DATE
SHLENI	2006/09/12
APPROVED BY	DATE
GGLEE	2006/09/12
MATERIAL NO.	
SEE TABLE	
SIZE	
A3	

SCALE	DESIGN UNITS	THIRD ANGLE PROJECTION
NTS	METRIC	☉
TITLE		
DDR3 SO DIMM, 204 CKTS 5.2MM HEIGHT STANDARD ORIENTATION		
MOLEX INCORPORATED		
DOCUMENT NO.		SHEET NO.
SD-78121-001		3 OF 6

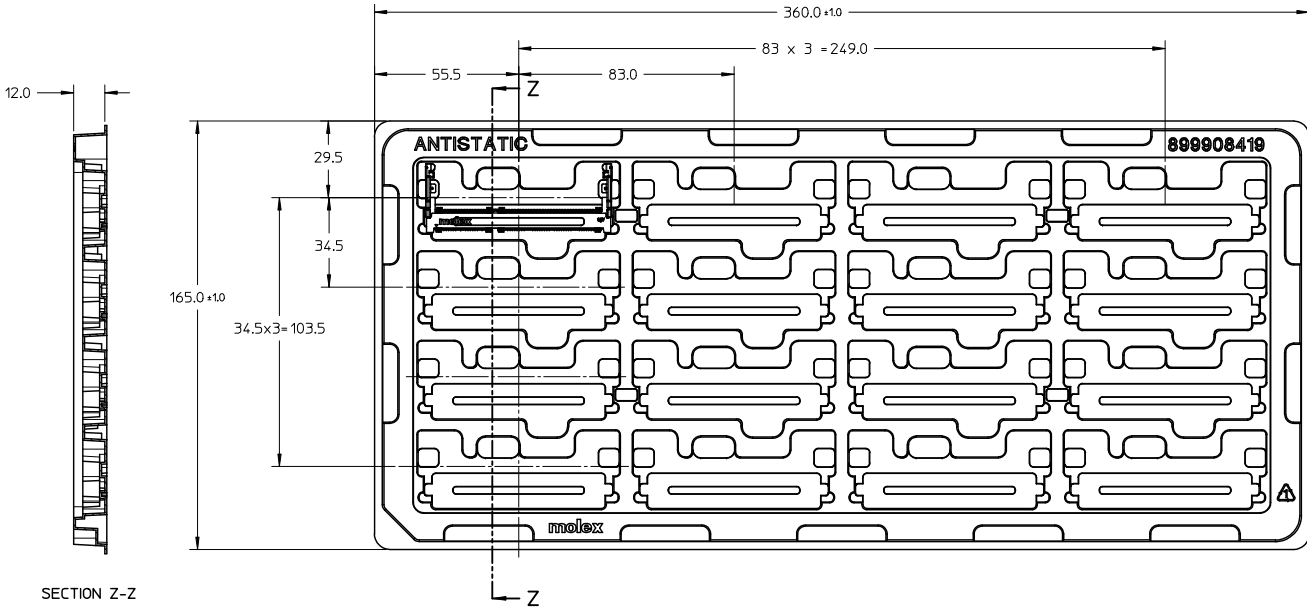
9 8 7 6 5 4 3 2 1



- NOTES:
- LEADER AND TRAILER TAPE
 - PEELING OFF FORCE OF THE TOP TAPE: 10 - 150gf.
 (PEELING DIRECTION AS SHOWN IN FOLLOWING FIGURE)
 - TAPE AND REEL SPECIFICATION IS AS PER EIA-481.
 - TAPE AND REEL QUANTITY : 200 PCS/ REEL.
 - THE TAPE IS TREATED FOR ANTI-STATIC.

CUST REQ DIM ADD EIC NO: SZ2010-0146 DRWN:VMANICKAM 2009/08/18 CHKD:CTEJH 2009/08/20 APPR:SHLENI 2009/08/20 A4	QUALITY SYMBOLS 	GENERAL TOLERANCES (UNLESS SPECIFIED)		DIMENSION STYLE		SCALE	DESIGN UNITS	THIRD ANGLE PROJECTION			
			mm	INCH	MM ONLY	NTS	METRIC				
		4 PLACES	±	---	±	---	DRAWN BY	DATE	TITLE		
		3 PLACES	±	---	±	---	VMANICKAM	2006/08/08	DDR3 SO DIMM, 204 CKTS		
2 PLACES	±	0.2	±	---	CHECKED BY	DATE	5.2MM HEIGHT				
1 PLACE	±	---	±	---	SHLENI	2006/09/12	STANDARD ORIENTATION				
ANGULAR ± 1°		APPROVED BY		DATE	MOLEX INCORPORATED						
DRAFT WHERE APPLICABLE MUST REMAIN WITHIN DIMENSIONS		MATERIAL NO.		SEE TABLE	DOCUMENT NO.		SD-78121-001				
		SIZE		A3	THIS DRAWING CONTAINS INFORMATION THAT IS PROPRIETARY TO MOLEX INCORPORATED AND SHOULD NOT BE USED WITHOUT WRITTEN PERMISSION						
		SHEET NO.		4 OF 6							

10 9 8 7 6 5 4 3 2 1



SECTION Z-Z

NOTES:

- 1. NO OF CAVITY : 4 X 4 = 16
- 2. UNSPECIFIED TOLERANCE FOR TRAY ±0.5

CUST REQ DIM ADD EEC NO: SZ010-0146 DRWN:VMANICKAM 2009/08/18 CHYK:CCTEH 2009/08/20 APPR:SHLENI 2009/08/20 REV A4	QUALITY SYMBOLS ▽=0 ▽=0	GENERAL TOLERANCES (UNLESS SPECIFIED)		DIMENSION STYLE MM ONLY		SCALE NTS	DESIGN UNITS METRIC	THIRD ANGLE PROJECTION	
		mm	INCH	DRAWN BY VMANICKAM	DATE 2006/08/08	TITLE DDR3 SO DIMM, 204 CKTS 5.2MM HEIGHT STANDARD ORIENTATION			
		4 PLACES ±---	±---	CHECKED BY SHLENI	DATE 2006/09/12	MOLEX INCORPORATED			
		3 PLACES ±---	±---	APPROVED BY GGLLEE	DATE 2006/09/12	MATERIAL NO. SEE TABLE	DOCUMENT NO. SD-78121-001	SHEET NO. 5 OF 6	
DRAFT WHERE APPLICABLE MUST REMAIN WITHIN DIMENSIONS		THIS DRAWING CONTAINS INFORMATION THAT IS PROPRIETARY TO MOLEX INCORPORATED AND SHOULD NOT BE USED WITHOUT WRITTEN PERMISSION							

9 8 7 6 5 4 3 2 1

10 9 8 7 6 5 4 3 2 1

PART NO	CONTACT AREA FINISH	SOLDER TAIL FINISH	PACKAGING	PRODUCT SPECIFICATION
78121-0001	3μN GOLD OVER 50μN/1.27μM NICKEL	100 MICRONCH /2.54 MICROMETER MATTE TIN OVER 50 MICEINCH / 1.27 MICROMETER.	TRAY (360X165MM)	PS-78121-003
78121-1501	15μN/0.38μM GOLD OVER 50μN/1.27μM NICKEL			PS-78121-002
78121-3001	30μN/0.76μM GOLD OVER 50μN/1.27μM NICKEL			PS-78121-001
78121-0002	3μN GOLD OVER 50μN/1.27μM NICKEL	GOLD FLASH OVER 50μN/1.27μM NICKEL.		PS-78121-003
78121-1502	15μN/0.38μM GOLD OVER 50μN/1.27μM NICKEL			PS-78121-002
78121-3002	30μN/0.76μM GOLD OVER 50μN/1.27μM NICKEL			PS-78121-001
78121-0011	3μN GOLD OVER 50μN/1.27μM NICKEL	100 MICRONCH /2.54 MICROMETER MATTE TIN OVER 50 MICEINCH / 1.27 MICROMETER.	TAPE&REEL	PS-78121-003
78121-1511	15μN/0.38μM GOLD OVER 50μN/1.27μM NICKEL			PS-78121-002
78121-3011	30μN/0.76μM GOLD OVER 50μN/1.27μM NICKEL			PS-78121-001
78121-0012	3μN GOLD OVER 50μN/1.27μM NICKEL	GOLD FLASH OVER 50μN/1.27μM NICKEL.		PS-78121-003
78121-1512	15μN/0.38μM GOLD OVER 50μN/1.27μM NICKEL			PS-78121-002
78121-3012	30μN/0.76μM GOLD OVER 50μN/1.27μM NICKEL			PS-78121-001

CUST REQ DIM ADD EEC NO: S2010-0146 DRWN:VMANICKAM 2009/08/18 CHYK:CCIEH 2009/08/20 APPR:SHLENI 2009/08/20 A4	DESCRIPTION REV	QUALITY SYMBOLS	GENERAL TOLERANCES (UNLESS SPECIFIED)	DIMENSION STYLE	SCALE	DESIGN UNITS	THIRD ANGLE PROJECTION															
		$\blacktriangledown = 0$ $\nabla = 0$	<table border="1"> <tr> <th></th> <th>mm</th> <th>INCH</th> </tr> <tr> <td>4 PLACES</td> <td>± ---</td> <td>± ---</td> </tr> <tr> <td>3 PLACES</td> <td>± ---</td> <td>± ---</td> </tr> <tr> <td>2 PLACES</td> <td>± 0.2</td> <td>± ---</td> </tr> <tr> <td>1 PLACE</td> <td>± ---</td> <td>± ---</td> </tr> </table>		mm	INCH	4 PLACES	± ---	± ---	3 PLACES	± ---	± ---	2 PLACES	± 0.2	± ---	1 PLACE	± ---	± ---	MM ONLY	NTS	METRIC	
			mm	INCH																		
		4 PLACES	± ---	± ---																		
3 PLACES	± ---	± ---																				
2 PLACES	± 0.2	± ---																				
1 PLACE	± ---	± ---																				
DRAWN BY: VMANICKAM CHECKED BY: SHLENI APPROVED BY: GGLEE DATE: 2006/08/08 DATE: 2006/09/12 DATE: 2006/09/12	TITLE DDR3 SO DIMM, 204 CKTS 5.2MM HEIGHT STANDARD ORIENTATION MOLEX INCORPORATED	MATERIAL NO. SEE TABLE	DOCUMENT NO. SD-78121-001	SHEET NO. 6 OF 6																		
DRAFT WHERE APPLICABLE MUST REMAIN WITHIN DIMENSIONS		THIS DRAWING CONTAINS INFORMATION THAT IS PROPRIETARY TO MOLEX INCORPORATED AND SHOULD NOT BE USED WITHOUT WRITTEN PERMISSION																				

tb_frame_A3_P_AM_T
Rev. E 2006/04/15

9 8 7 6 5 4 3 2 1