
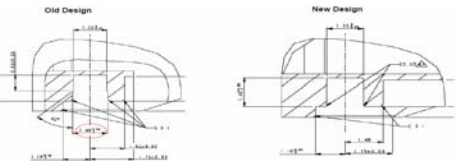
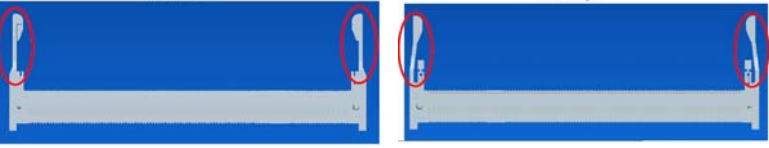




PCN - 10 153

Issue Date: December 20 2010

Product Name:	DDR2 SO DIMM			
	10033853/10033854/10086891/59355/59355 series			
Product Manager:	James Wang			
Subject:	Product Change Notification			
Distribution:	General customer distribution			
Type of Change:	Product Design Change			
Change Description:	<p>To Change SO-DIMM housing profile with the following action</p> <p>1. To change the dimension A from 10.7mm to 13.4 mm</p>  <p>2. To change the width of hole from 1.40mm to 1.35mm</p>  <p>3. To change the shape of housing, the new Design have already been used in 10086891Series.</p> 			
Reason for Change:	To continually improve the product performance by improving the retention force of hold down in housing			
Affected Parts:	10033853/10033854/10086891/59355/59355 series			
Effective Date of Change:	April	25	2011	<i>The sample is available on Jan 25 2011</i>
Last Time Buy Date:	N/A	N/A	N/A	
Last Disty Return Date:	N/A	N/A	N/A	
Datasheet Attached?	No			
Qual/Test Data Attached?	No			
Samples Availability Date:	January	25	2011	<i>The sample is available on Jan 25 2011</i>
Available Alternatives?	N/A			
Questions?	<p>Contact your local FCI Representative, or</p> <p>James Wang / Product manager</p> <p>Phone number: 86 513 80167254 / e-mail address: James.wang@fci.com</p>			