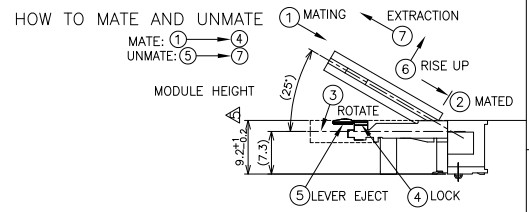
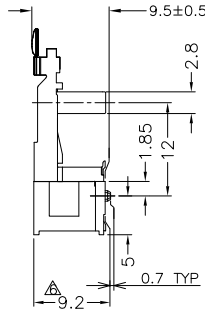
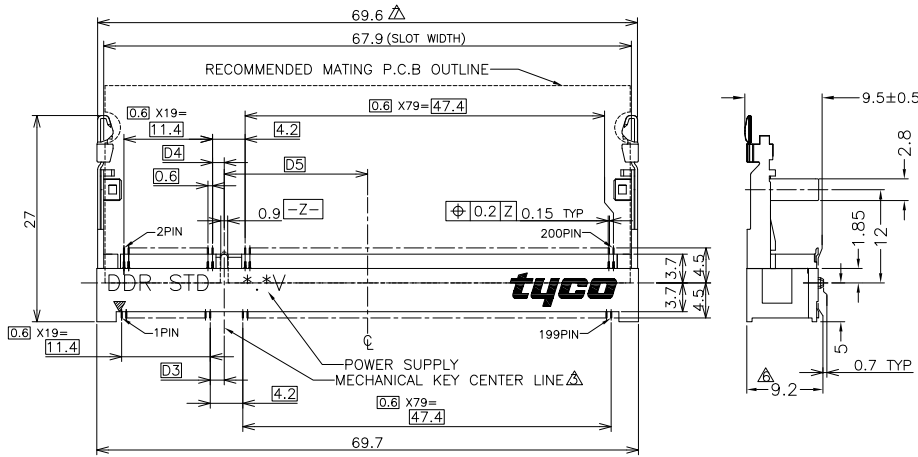
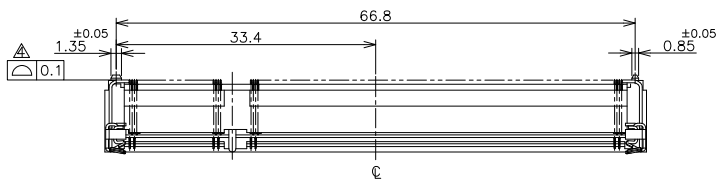


THIS DRAWING IS UNPUBLISHED. RELEASED FOR PUBLICATION MAR. 2007.  
 COPYRIGHT 2007 BY TYCO ELECTRONICS CORPORATION. ALL RIGHTS RESERVED.

LOC	DIST	REVISIONS				
P	LTR	DESCRIPTION	DATE	DWN	APVD	
B		REVISED PER ECR-07-016171	10JUL07	SA.Y	S.Y	



- (APPLIED TO SHEET 1-2)
- MATERIAL ; HOUSING: HIGH TEMPERATURE THERMO PLASTIC UL94V-0  
 CONTACT: COPPER ARROY  
 LOCK LEVER: STAINLESS STEEL
  - FINISH ; CONTACT AREA: GOLD PLATING ON ALL OVER NICKEL.  
 SOLDERING AREA: GOLD PLATING ON ALL OVER NICKEL.  
 LOCK LEVER: TIN PLATING.
- △ MECHANICAL KEY POSITION OF CONNECTOR SEE TABLE.
  - △ COPLANARITY : 0.1 MAX.
  - △ THE FLOATING VALUE BY SOLDERING IS NOT INCLUDED.
  - △ NOT MATING CONDITION.
  - △ IN CASE OF MODULE BOARD LOCK AND EJECT, LATCH MAXIMUM WIDTH: 75mm.
  - △ TOLERANCES NON-CUMULATIVE.
  - △ CARD GUIDE AND STRUT COMPONENT KEEP-OUT ZONE.
  - △ □ INSIDE MUST BE RESIST COAT EXCEPT SOLDER PATTERN.

THIS DRAWING IS A CONTROLLED DOCUMENT.		1.8V (DDR2)		17.55	2.4	2.7	200	1981284-4
DIMENSIONS: MM		POWER SUPPLY (TYPE)		D5	D4	D3	POS	PART NO.
TOLERANCES UNLESS OTHERWISE SPECIFIED:		DWN LEO ZHOU 07MAR07		Tyco Electronics Corporation Kawasaki, Japan				
0 PLC ±		CHK T.FUMIKURA 07MAR07		NAME				
1 PLC ±		APVD K.IKEGAMI 07MAR07		DDR SODIMM SOCKET 0.6mm PITCH 200POS				
2 PLC ±		PRODUCT SPEC		9.2H STD TYPE				
3 PLC ±		APPLICATION SPEC		TO FIT AMC APPLICATIONS				
4 PLC ±		108-5701		SIZE		CAGE CODE		DRAWING NO
ANGLES ±		WEIGHT 8.3g		A.3		C-1981284		RESTRICTED TO
MATERIAL FINISH		CUSTOMER DRAWING		SCALE 2:1		SHEET 1 OF 4		REV B

GENERAL TOLERANCE  
 10 ≥ : ±0.2  
 30 ≥ > 10: ±0.3  
 100 ≥ > 30: ±0.5  
 ANGLES: ±3°

4

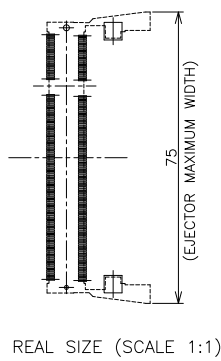
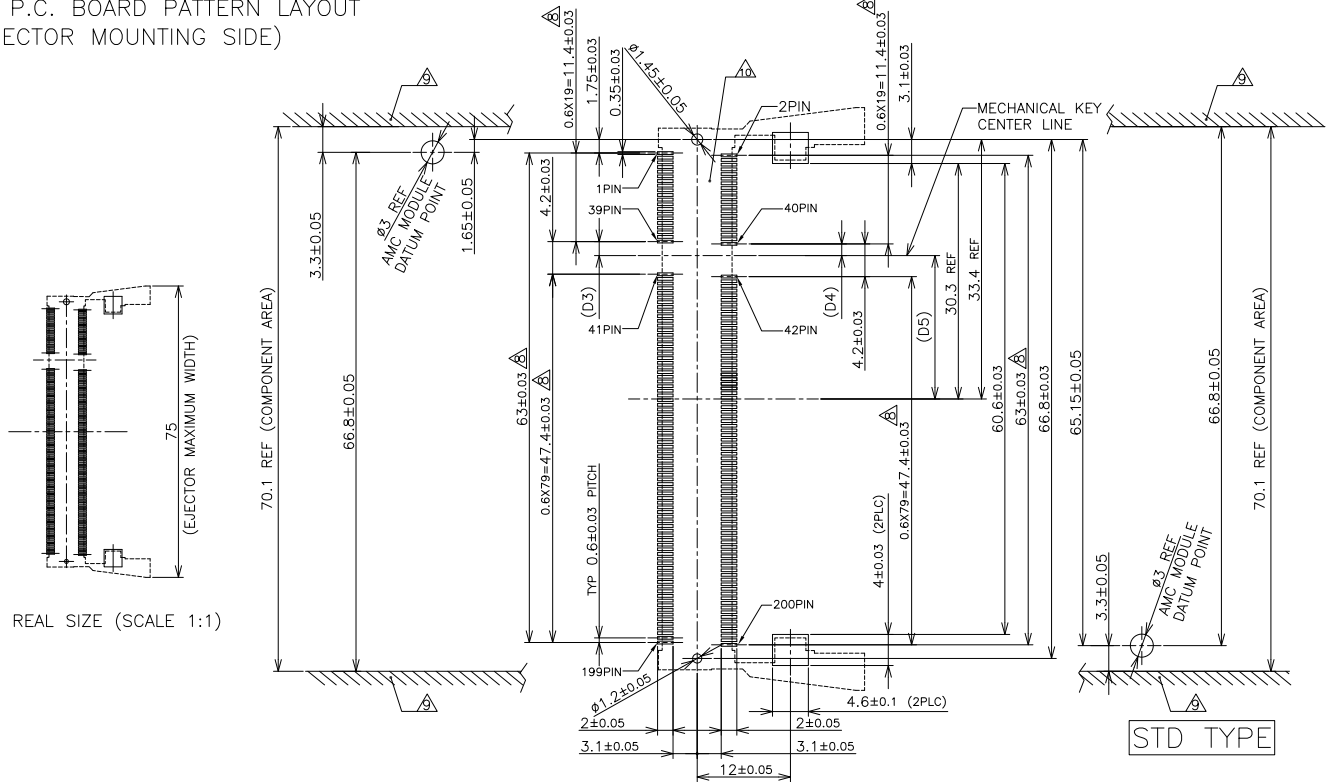
3

2

1

THIS DRAWING IS UNPUBLISHED.		RELEASED FOR PUBLICATION		MAR ,2007.	
COPYRIGHT 2007 BY TYCO ELECTRONICS CORPORATION. ALL RIGHTS RESERVED.		LOC	DIST	REVISIONS	
SEE SHEET 1				DATE	DWN
				DESCRIPTION	APVD

REFERENCE P.C. BOARD PATTERN LAYOUT  
(CONNECTOR MOUNTING SIDE)



1.8V	17.55	2.4	2.7
POWER SUPPLY	D5	D4	D3

THIS DRAWING IS A CONTROLLED DOCUMENT.		DWN		Tyco Electronics		Tyco Electronics Corporation Kawasaki, Japan	
DIMENSIONS: MM		TOLERANCES UNLESS OTHERWISE SPECIFIED:		NAME		DDR SODIMM SOCKET 0.6mm PITCH 200POS	
0 PLC ±		1 PLC ±		PRODUCT SPEC		9.2H STD TYPE	
2 PLC ±		3 PLC ±		APPLICATION SPEC		TO FIT AMC APPLICATIONS	
4 PLC ±		ANGLES ±		SIZE		DRAWING NO	
FINISH		MATERIAL		WEIGHT		CAGE CODE	
				CUSTOMER DRAWING		DRAWING NO	
				SCALE		RESTRICTED TO	
				2:1		1981284	
				SHEET		REV	
				2		4 B	

4

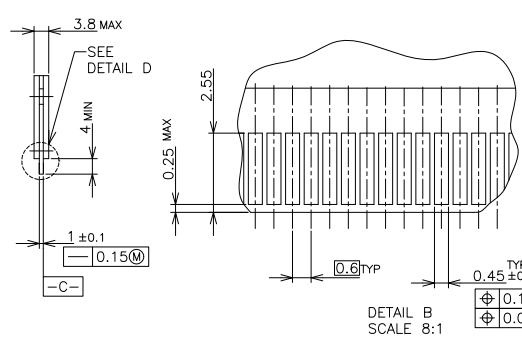
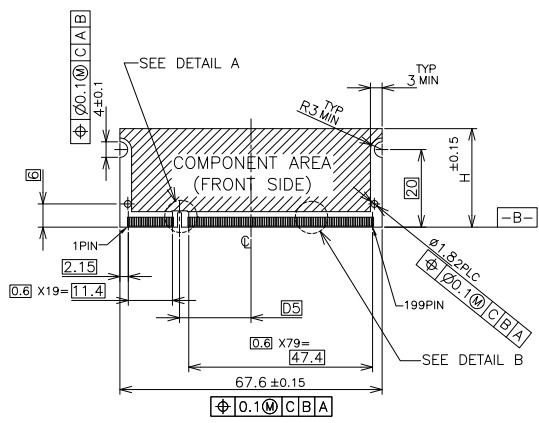
3

2

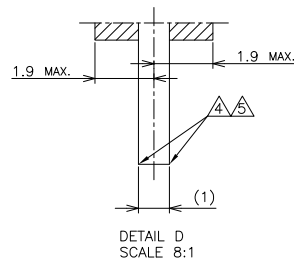
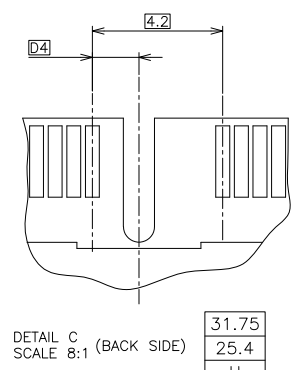
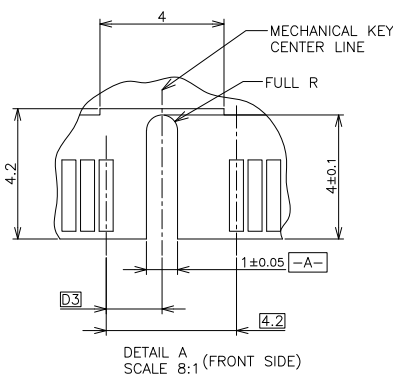
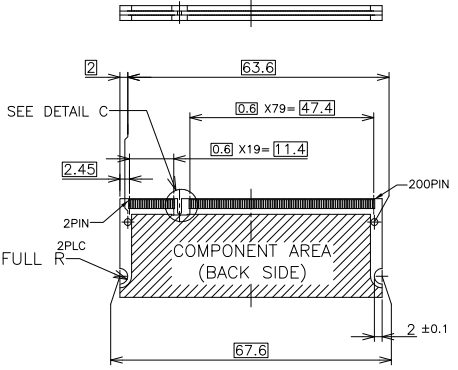
1

THIS DRAWING IS UNPUBLISHED. RELEASED FOR PUBLICATION MAR. 2007.  
 © COPYRIGHT 2007 BY TYCO ELECTRONICS CORPORATION. ALL RIGHTS RESERVED.

LOC	DIST	REVISIONS			
P	LTR	DESCRIPTION	DATE	DWN	APVD
		SEE SHEET 1			



- (APPLIED TO SHEET 3)
- 1 TOLERANCES ON ALL DIMENSIONS ±0.15 UNLESS OTHERWISE SPECIFIED.
  - 2 P.C. BOARD THICKNESS APPLIES ACROSS TABS AND INCLUDES PLATING AND/OR METALIZATION.
  - 3 FINISH OF PAD : GOLD PLATING 0.00076 MIN. OVER Ni PLATING 0.002MIN.
- ▲ NO BURR.  
 ▲ CHAMFER 0.25 MAX x 45° IF EXIST.

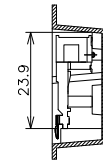
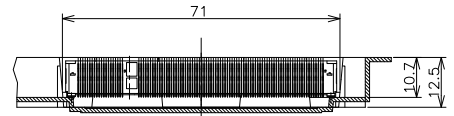
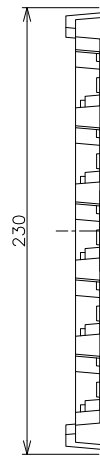
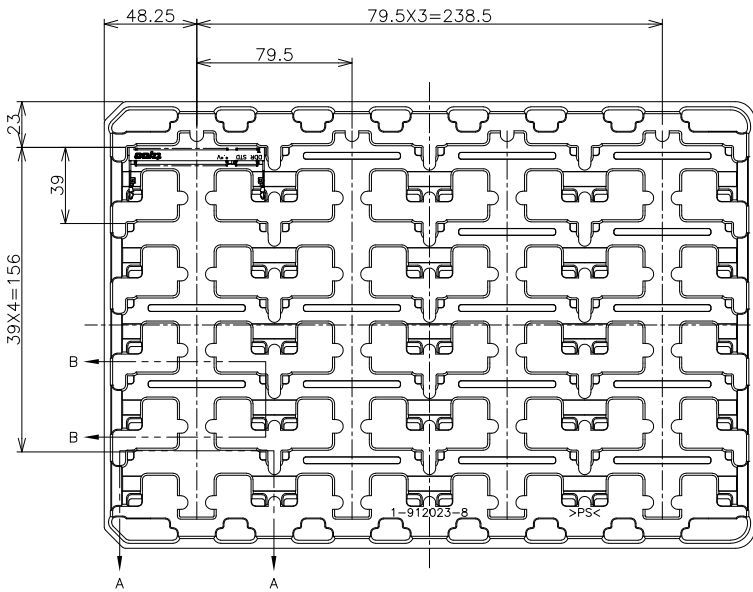


RECOMMENDED MATING P.C.B CONFIGURATION

THIS DRAWING IS A CONTROLLED DOCUMENT.		DWN	31.75																	
DIMENSIONS:		CHK	25.4	1.8V	17.55															
MM	TOLERANCES UNLESS OTHERWISE SPECIFIED:	APVD	H	POWER SUPPLY	D5															
0 PLC	±	PRODUCT SPEC		2.4	2.7															
1 PLC	±	APPLICATION SPEC		D4	D3															
2 PLC	±	WEIGHT																		
3 PLC	±	<table border="1"> <tr> <td colspan="2">Tyco Electronics</td> <td colspan="3">Tyco Electronics Corporation</td> </tr> <tr> <td colspan="2"></td> <td colspan="3">Kawasaki, Japan</td> </tr> </table>				Tyco Electronics		Tyco Electronics Corporation					Kawasaki, Japan							
Tyco Electronics		Tyco Electronics Corporation																		
		Kawasaki, Japan																		
4 PLC	±	<table border="1"> <tr> <td colspan="2">NAME</td> <td colspan="3">DDR SODIMM SOCKET 0.6mm PITCH 200POS</td> </tr> <tr> <td colspan="2"></td> <td colspan="3">9.2H STD TYPE</td> </tr> <tr> <td colspan="2"></td> <td colspan="3">TO FIT AMC APPLICATIONS</td> </tr> </table>				NAME		DDR SODIMM SOCKET 0.6mm PITCH 200POS					9.2H STD TYPE					TO FIT AMC APPLICATIONS		
NAME		DDR SODIMM SOCKET 0.6mm PITCH 200POS																		
		9.2H STD TYPE																		
		TO FIT AMC APPLICATIONS																		
ANGLES	±	SIZE	A3	CAGE CODE	DRAWING NO															
FINISH		C=1981284		RESTRICTED TO																
		CUSTOMER DRAWING	SCALE	1:1	SHEET															
				3	OF															
				4	REV															
					B															

THIS DRAWING IS UNPUBLISHED. RELEASED FOR PUBLICATION MAR, 2007.  
 © COPYRIGHT 2007 BY TYCO ELECTRONICS CORPORATION. ALL RIGHTS RESERVED.

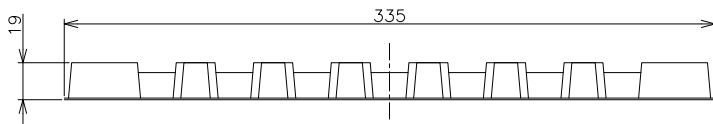
LOC	DIST	REVISIONS				
P	LTR	DESCRIPTION	DATE	DWN	APVD	
		SEE SHEET 1				



B-B  
SCALE 1:1

(APPLIED TO SHEET 4)

1. THE DIRECTION OF EACH CONNECTOR ON A TRAY IS REFERRED TO THIS DRAWING.
2. GENERAL TOLERANCE:  $\pm 0.5$



20EA/TRAY	1981284-4
QTY	P/N

THIS DRAWING IS A CONTROLLED DOCUMENT.		DWN	Tyco Electronics		Tyco Electronics Corporation	
DIMENSIONS:		CHK	Kawasaki, Japan			
MM	TOLERANCES UNLESS OTHERWISE SPECIFIED:	APVD	NAME			
	0 PLC $\pm 0.5$	PRODUCT SPEC	DDR SODIMM SOCKET 0.6mm PITCH 200POS			
	1 PLC $\pm 0.5$	APPLICATION SPEC	9.2H STD TYPE			
	2 PLC $\pm 0.5$	WEIGHT	TO FIT AMC APPLICATIONS			
	3 PLC $\pm 0.5$	CUSTOMER DRAWING	SIZE	CAGE CODE	DRAWING NO	RESTRICTED TO
	4 PLC $\pm 0.5$		A3		1981284	
	ANGLES $\pm 0.5$					
MATERIAL	FINISH		SCALE 1:2		SHEET 4 OF 4	REV B