



4

3

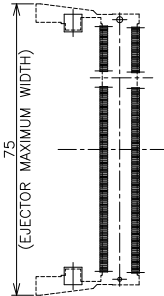
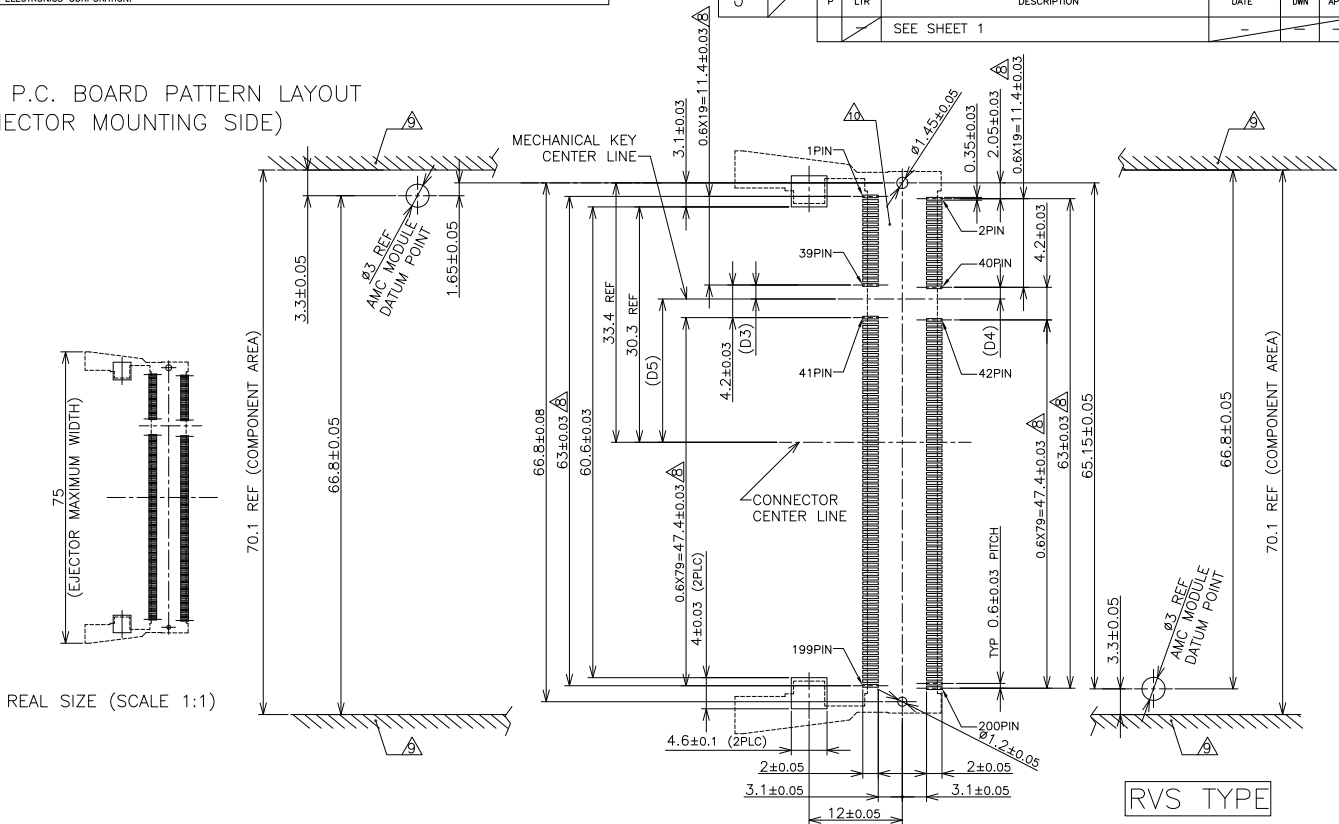
2

1

THIS DRAWING IS UNPUBLISHED. RELEASED FOR PUBLICATION MAR. 2007.  
 COPYRIGHT 2007 BY TYCO ELECTRONICS CORPORATION. ALL RIGHTS RESERVED.

LOC	DIST	REVISIONS			
P	LTR	DESCRIPTION	DATE	DWN	APVD
SEE SHEET 1					

REFERENCE P.C. BOARD PATTERN LAYOUT  
 (CONNECTOR MOUNTING SIDE)



REAL SIZE (SCALE 1:1)

1.8V	17.55	2.4	2.7
POWER SUPPLY	D5	D4	D3

THIS DRAWING IS A CONTROLLED DOCUMENT.		DWN	Tyco Electronics		Tyco Electronics Corporation Kawasaki, Japan	
DIMENSIONS: MM		CHK	NAME			
TOLERANCES UNLESS OTHERWISE SPECIFIED:		APVD	DDR SODIMM SOCKET 0.6mm PITCH 200POS			
0 PLC ±		PRODUCT SPEC	5.2H RVS TYPE			
1 PLC ±		APPLICATION SPEC	TO FIT AMC APPLICATIONS			
2 PLC ±		WEIGHT	SIZE	CAGE CODE	DRAWING NO	RESTRICTED TO
3 PLC ±			A3		1981281	
4 PLC ±			CUSTOMER DRAWING		SCALE	SHEET
ANGLES ±					2:1	2 of 4
FINISH					REV	B

4

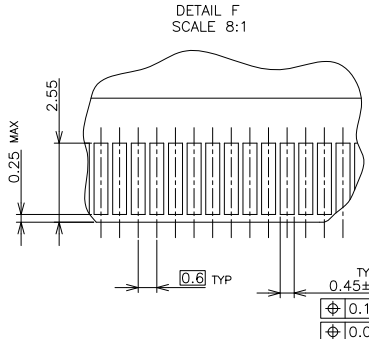
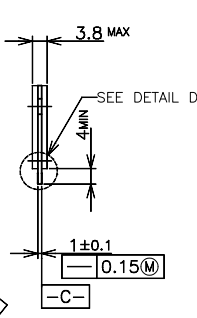
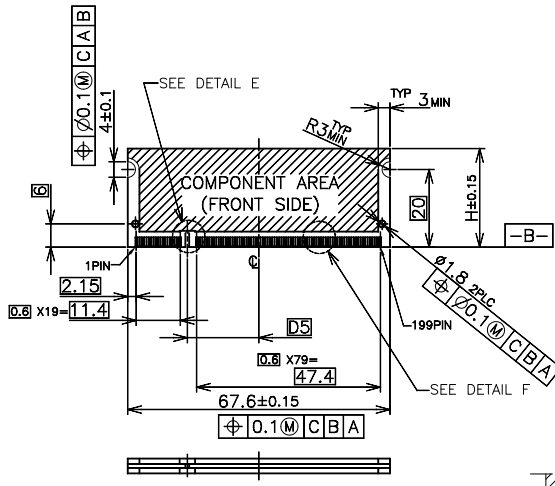
3

2

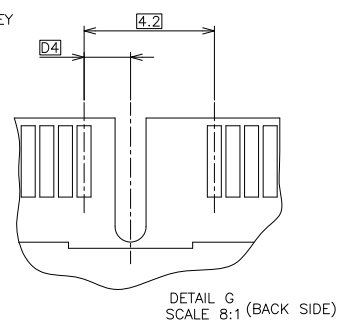
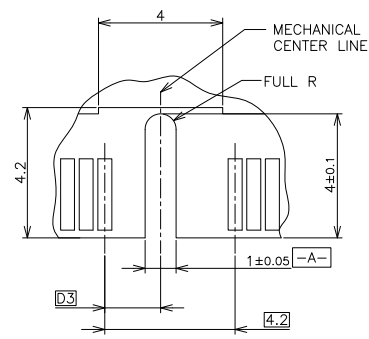
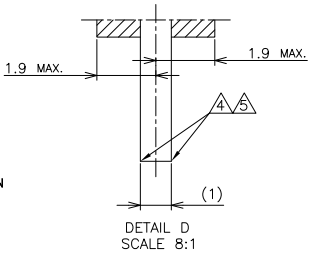
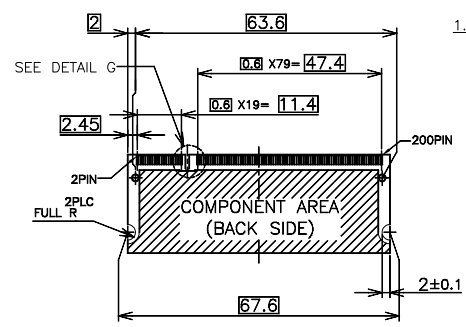
1

THIS DRAWING IS UNPUBLISHED. RELEASED FOR PUBLICATION MAR, 2007.  
 COPYRIGHT 2007 BY TYCO ELECTRONICS CORPORATION. ALL RIGHTS RESERVED.

LOC	DIST	REVISIONS			
P	LTR	DESCRIPTION	DATE	DWN	APVD
		SEE SHEET 1			



- (APPLIED TO SHEET 3)
1. TOLERANCES ON ALL DIMENSIONS ±0.15 UNLESS OTHERWISE SPECIFIED.
  2. P.C. BOARD THICKNESS APPLIES ACROSS TABS AND INCLUDES PLATING AND/OR METALIZATION.
  3. FINISH OF PAD : GOLD PLATING 0.00076 MIN. OVER Ni PLATING 0.002MIN.
- ▲ NO BURR  
 ▲ CHAMFER 0.25 MAX x 45° IF EXIST.

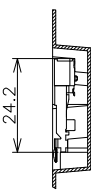
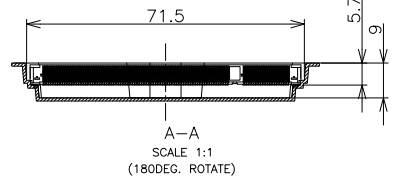
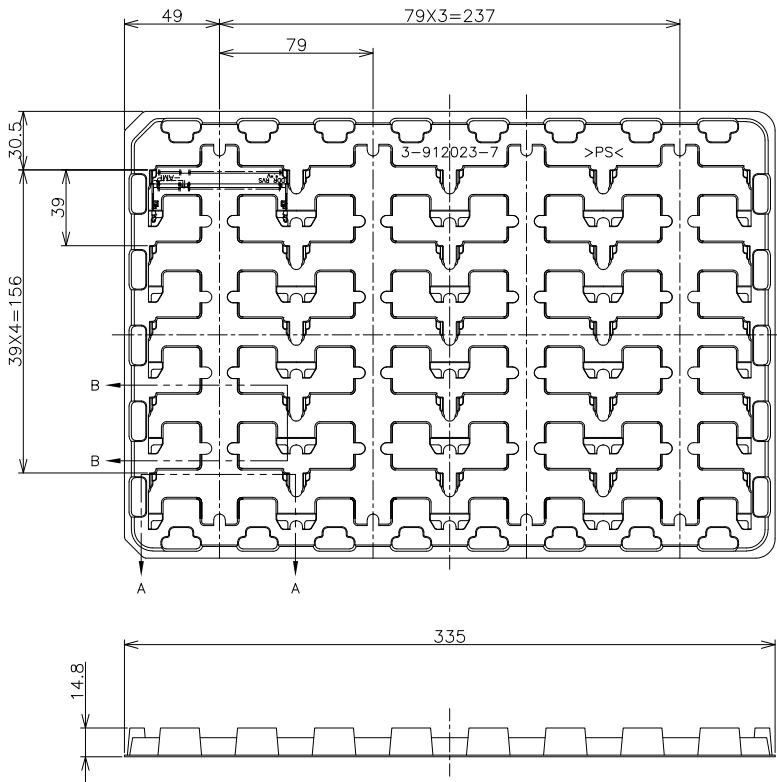


RECOMMENDED MATING P.C.B CONFIGURATION

THIS DRAWING IS A CONTROLLED DOCUMENT.		DWN	31.75	1.8V	17.55	2.4	2.7
DIMENSIONS: MM		CHK	25.4	POWER SUPPLY			
TOLERANCES UNLESS OTHERWISE SPECIFIED:		APVD	H	D5	D4	D3	
0 PLC	±	PRODUCT SPEC	Tyco Electronics Corporation Kawasaki, Japan				
1 PLC	±	APPLICATION SPEC	NAME				
2 PLC	±	WEIGHT	DDR SODIMM SOCKET 0.6mm PITCH 200POS				
3 PLC	±		5.2H RVS TYPE				
4 PLC	±		TO FIT AMC APPLICATIONS				
4 PCC ANGLES	±		SIZE	CAGE CODE	DRAWING NO	RESTRICTED TO	
			A3		C=1981281		
MATERIAL	FINISH		CUSTOMER DRAWING		SCALE	SHEET	REV
					1:1	3 OF 4	B

THIS DRAWING IS UNPUBLISHED. RELEASED FOR PUBLICATION MAR. 2007.  
 © COPYRIGHT 2007 BY TYCO ELECTRONICS CORPORATION. ALL RIGHTS RESERVED.

LOC	DIST	REVISIONS				
P	LTR	DESCRIPTION	DATE	DWN	APVD	
		SEE SHEET 1				



- (APPLIED TO SHEET 4)  
 1. THE DIRECTION OF EACH CONNECTOR ON A TRAY IS REFERRED TO THIS DRAWING.  
 2. GENERAL TOLERANCE:  $\pm 0.5$

20EA/TRAY	1981281-4
QTY	P/N

THIS DRAWING IS A CONTROLLED DOCUMENT.		DWN	
DIMENSIONS:		CHK	
MM	TOLERANCES UNLESS OTHERWISE SPECIFIED:	APVD	
	0. PLC $\pm 0.5$	PRODUCT SPEC	
	1. PLC $\pm 0.5$	APPLICATION SPEC	
	2. PLC $\pm 0.5$	WEIGHT	
	3. PLC $\pm 0.5$		
	4. PLC $\pm 0.5$		
	ANGLES $\pm 0.5$		
MATERIAL	FINISH		

Tyco Electronics		Tyco Electronics Corporation Kawasaki, Japan	
NAME		DDR SODIMM SOCKET 0.6mm PITCH 200POS 5.2H RVS TYPE TO FIT AMC APPLICATIONS	
SIZE	CAGE CODE	DRAWING NO	RESTRICTED TO
A.3		1981281	
CUSTOMER DRAWING		SCALE 1:2	SHEET 4 OF 4 REV B