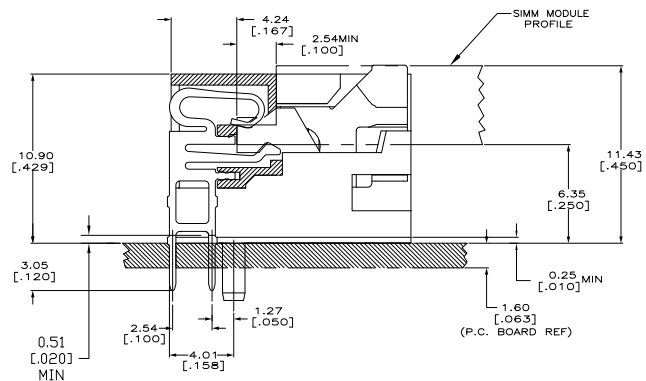
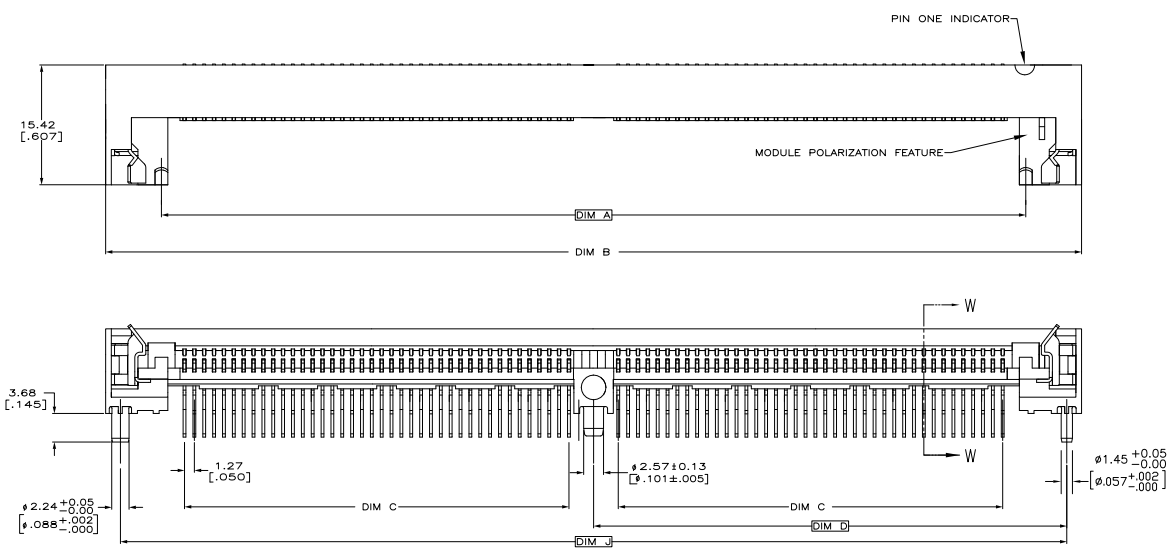


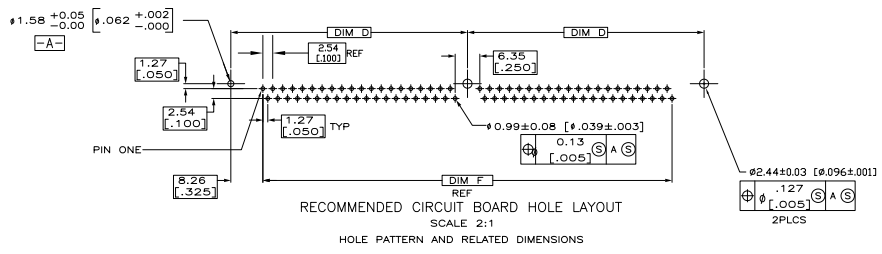
THIS DRAWING IS UNPUBLISHED
 ALL RIGHTS RESERVED

REV	DATE	DESCRIPTION	BY	CHK
00				
01		REVISED PER ECO-11-004835	11MMR11	RK HMR



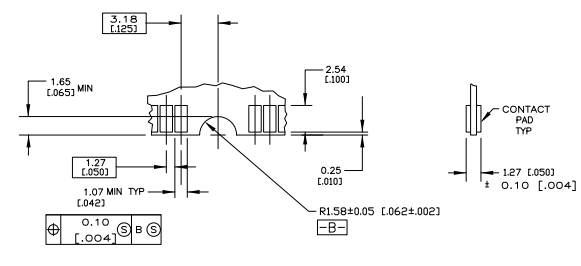
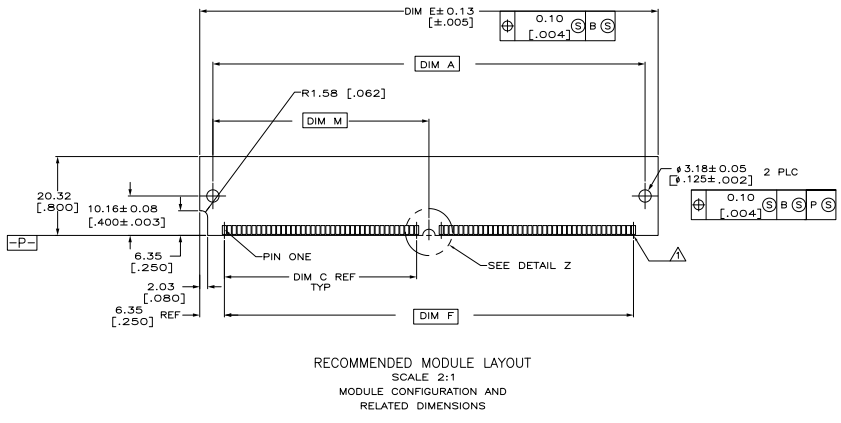
THIS DRAWING IS A CONTROLLED DOCUMENT.		BY: J. MILLER	DATE: 11-19-90	
DRAWN BY: J. MILLER		DATE: 11-19-90	DATE: 11-19-90	
DIMENSIONS: A: DEC B: DEC C: DEC D: DEC E: DEC F: DEC G: DEC H: DEC I: DEC J: DEC K: DEC L: DEC M: DEC N: DEC O: DEC P: DEC Q: DEC R: DEC S: DEC T: DEC U: DEC V: DEC W: DEC X: DEC Y: DEC Z: DEC AA: DEC AB: DEC AC: DEC AD: DEC AE: DEC AF: DEC AG: DEC AH: DEC AI: DEC AJ: DEC AK: DEC AL: DEC AM: DEC AN: DEC AO: DEC AP: DEC AQ: DEC AR: DEC AS: DEC AT: DEC AU: DEC AV: DEC AW: DEC AX: DEC AY: DEC AZ: DEC BA: DEC BB: DEC BC: DEC BD: DEC BE: DEC BF: DEC BG: DEC BH: DEC BI: DEC BJ: DEC BK: DEC BL: DEC BM: DEC BN: DEC BO: DEC BP: DEC BQ: DEC BR: DEC BS: DEC BT: DEC BU: DEC BV: DEC BW: DEC BX: DEC BY: DEC BZ: DEC CA: DEC CB: DEC CC: DEC CD: DEC CE: DEC CF: DEC CG: DEC CH: DEC CI: DEC CJ: DEC CK: DEC CL: DEC CM: DEC CN: DEC CO: DEC CP: DEC CQ: DEC CR: DEC CS: DEC CT: DEC CU: DEC CV: DEC CW: DEC CX: DEC CY: DEC CZ: DEC DA: DEC DB: DEC DC: DEC DD: DEC DE: DEC DF: DEC DG: DEC DH: DEC DI: DEC DJ: DEC DK: DEC DL: DEC DM: DEC DN: DEC DO: DEC DP: DEC DQ: DEC DR: DEC DS: DEC DT: DEC DU: DEC DV: DEC DW: DEC DX: DEC DY: DEC DZ: DEC EA: DEC EB: DEC EC: DEC ED: DEC EE: DEC EF: DEC EG: DEC EH: DEC EI: DEC EJ: DEC EK: DEC EL: DEC EM: DEC EN: DEC EO: DEC EP: DEC EQ: DEC ER: DEC ES: DEC ET: DEC EU: DEC EV: DEC EW: DEC EX: DEC EY: DEC EZ: DEC FA: DEC FB: DEC FC: DEC FD: DEC FE: DEC FF: DEC FG: DEC FH: DEC FI: DEC FJ: DEC FK: DEC FL: DEC FM: DEC FN: DEC FO: DEC FP: DEC FQ: DEC FR: DEC FS: DEC FT: DEC FU: DEC FV: DEC FW: DEC FX: DEC FY: DEC FZ: DEC GA: DEC GB: DEC GC: DEC GD: DEC GE: DEC GF: DEC GG: DEC GH: DEC GI: DEC GJ: DEC GK: DEC GL: DEC GM: DEC GN: DEC GO: DEC GP: DEC GQ: DEC GR: DEC GS: DEC GT: DEC GU: DEC GV: DEC GW: DEC GX: DEC GY: DEC GZ: DEC HA: DEC HB: DEC HC: DEC HD: DEC HE: DEC HF: DEC HG: DEC HH: DEC HI: DEC HJ: DEC HK: DEC HL: DEC HM: DEC HN: DEC HO: DEC HP: DEC HQ: DEC HR: DEC HS: DEC HT: DEC HU: DEC HV: DEC HW: DEC HX: DEC HY: DEC HZ: DEC IA: DEC IB: DEC IC: DEC ID: DEC IE: DEC IF: DEC IG: DEC IH: DEC II: DEC IJ: DEC IK: DEC IL: DEC IM: DEC IN: DEC IO: DEC IP: DEC IQ: DEC IR: DEC IS: DEC IT: DEC IU: DEC IV: DEC IW: DEC IX: DEC IY: DEC IZ: DEC JA: DEC JB: DEC JC: DEC JD: DEC JE: DEC JF: DEC JG: DEC JH: DEC JI: DEC JJ: DEC JK: DEC JL: DEC JM: DEC JN: DEC JO: DEC JP: DEC JQ: DEC JR: DEC JS: DEC JT: DEC JU: DEC JV: DEC JW: DEC JX: DEC JY: DEC JZ: DEC KA: DEC KB: DEC KC: DEC KD: DEC KE: DEC KF: DEC KG: DEC KH: DEC KI: DEC KJ: DEC KK: DEC KL: DEC KM: DEC KN: DEC KO: DEC KP: DEC KQ: DEC KR: DEC KS: DEC KT: DEC KU: DEC KV: DEC KW: DEC KX: DEC KY: DEC KZ: DEC LA: DEC LB: DEC LC: DEC LD: DEC LE: DEC LF: DEC LG: DEC LH: DEC LI: DEC LJ: DEC LK: DEC LL: DEC LM: DEC LN: DEC LO: DEC LP: DEC LQ: DEC LR: DEC LS: DEC LT: DEC LU: DEC LV: DEC LW: DEC LX: DEC LY: DEC LZ: DEC MA: DEC MB: DEC MC: DEC MD: DEC ME: DEC MF: DEC MG: DEC MH: DEC MI: DEC MJ: DEC MK: DEC ML: DEC MN: DEC MO: DEC MP: DEC MQ: DEC MR: DEC MS: DEC MT: DEC MU: DEC MV: DEC MW: DEC MX: DEC MY: DEC MZ: DEC NA: DEC NB: DEC NC: DEC ND: DEC NE: DEC NF: DEC NG: DEC NH: DEC NI: DEC NJ: DEC NK: DEC NL: DEC NM: DEC NN: DEC NO: DEC NP: DEC NQ: DEC NR: DEC NS: DEC NT: DEC NU: DEC NV: DEC NW: DEC NX: DEC NY: DEC NZ: DEC OA: DEC OB: DEC OC: DEC OD: DEC OE: DEC OF: DEC OG: DEC OH: DEC OI: DEC OJ: DEC OK: DEC OL: DEC OM: DEC ON: DEC OO: DEC OP: DEC OQ: DEC OR: DEC OS: DEC OT: DEC OU: DEC OV: DEC OW: DEC OX: DEC OY: DEC OZ: DEC PA: DEC PB: DEC PC: DEC PD: DEC PE: DEC PF: DEC PG: DEC PH: DEC PI: DEC PJ: DEC PK: DEC PL: DEC PM: DEC PN: DEC PO: DEC PP: DEC PQ: DEC PR: DEC PS: DEC PT: DEC PU: DEC PV: DEC PW: DEC PX: DEC PY: DEC PZ: DEC QA: DEC QB: DEC QC: DEC QD: DEC QE: DEC QF: DEC QG: DEC QH: DEC QI: DEC QJ: DEC QK: DEC QL: DEC QM: DEC QN: DEC QO: DEC QP: DEC QQ: DEC QR: DEC QS: DEC QT: DEC QU: DEC QV: DEC QW: DEC QX: DEC QY: DEC QZ: DEC RA: DEC RB: DEC RC: DEC RD: DEC RE: DEC RF: DEC RG: DEC RH: DEC RI: DEC RJ: DEC RK: DEC RL: DEC RM: DEC RN: DEC RO: DEC RP: DEC RQ: DEC RR: DEC RS: DEC RT: DEC RU: DEC RV: DEC RW: DEC RX: DEC RY: DEC RZ: DEC SA: DEC SB: DEC SC: DEC SD: DEC SE: DEC SF: DEC SG: DEC SH: DEC SI: DEC SJ: DEC SK: DEC SL: DEC SM: DEC SN: DEC SO: DEC SP: DEC SQ: DEC SR: DEC SS: DEC ST: DEC SU: DEC SV: DEC SW: DEC SX: DEC SY: DEC SZ: DEC TA: DEC TB: DEC TC: DEC TD: DEC TE: DEC TF: DEC TG: DEC TH: DEC TI: DEC TJ: DEC TK: DEC TL: DEC TM: DEC TN: DEC TO: DEC TP: DEC TQ: DEC TR: DEC TS: DEC TT: DEC TU: DEC TV: DEC TW: DEC TX: DEC TY: DEC TZ: DEC UA: DEC UB: DEC UC: DEC UD: DEC UE: DEC UF: DEC UG: DEC UH: DEC UI: DEC UJ: DEC UK: DEC UL: DEC UM: DEC UN: DEC UO: DEC UP: DEC UQ: DEC UR: DEC US: DEC UT: DEC UY: DEC UZ: DEC VA: DEC VB: DEC VC: DEC VD: DEC VE: DEC VF: DEC VG: DEC VH: DEC VI: DEC VJ: DEC VK: DEC VL: DEC VM: DEC VN: DEC VO: DEC VP: DEC VQ: DEC VR: DEC VS: DEC VT: DEC VU: DEC VV: DEC VW: DEC VX: DEC VY: DEC VZ: DEC WA: DEC WB: DEC WC: DEC WD: DEC WE: DEC WF: DEC WG: DEC WH: DEC WI: DEC WJ: DEC WK: DEC WL: DEC WM: DEC WN: DEC WO: DEC WP: DEC WQ: DEC WR: DEC WS: DEC WT: DEC WU: DEC WV: DEC WW: DEC WX: DEC WY: DEC WZ: DEC XA: DEC XB: DEC XC: DEC XD: DEC XE: DEC XF: DEC XG: DEC XH: DEC XI: DEC XJ: DEC XK: DEC XL: DEC XM: DEC XN: DEC XO: DEC XP: DEC XQ: DEC XR: DEC XS: DEC XT: DEC XU: DEC XV: DEC XW: DEC XX: DEC XY: DEC XZ: DEC YA: DEC YB: DEC YC: DEC YD: DEC YE: DEC YF: DEC YG: DEC YH: DEC YI: DEC YJ: DEC YK: DEC YL: DEC YM: DEC YN: DEC YO: DEC YP: DEC YQ: DEC YR: DEC YS: DEC YT: DEC YU: DEC YV: DEC YW: DEC YX: DEC YZ: DEC ZA: DEC ZB: DEC ZC: DEC ZD: DEC ZE: DEC ZF: DEC ZG: DEC ZH: DEC ZI: DEC ZJ: DEC ZK: DEC ZL: DEC ZM: DEC ZN: DEC ZO: DEC ZP: DEC ZQ: DEC ZR: DEC ZS: DEC ZT: DEC ZU: DEC ZV: DEC ZW: DEC ZX: DEC ZY: DEC ZZ: DEC	SIMM II RTANG 1.27[.050] 1.27 [.500] CL ASSY., 6.350 [.250] HEIGHT	SIZE: A1 DATE: 100779 DRAWING NO: 382486	REVISIONS: 1 2 3 4 5 6 7 8 9 10 11 12 13 14 15 16 17 18 19 20 21 22 23 24 25 26 27 28 29 30 31 32 33 34 35 36 37 38 39 40 41 42 43 44 45 46 47 48 49 50 51 52 53 54 55 56 57 58 59 60 61 62 63 64 65 66 67 68 69 70 71 72 73 74 75 76 77 78 79 80 81 82 83 84 85 86 87 88 89 90 91 92 93 94 95 96 97 98 99 100	

488 (2/11)



△ FOR OPTIMUM PERFORMANCE, CONTACT PAD PLATING SHOULD BE SMOOTH AND FLAT. COPPER CONTACT PADS ARE TO BE OVERPLATED WITH .00127[.00050] MIN THK NICKEL FOLLOWED WITH 0.00254[.000100] MIN THK TIN-LEAD PLATING.

△ 0.00381 [0.00150] MIN. THK TIN-LEAD OVER 0.00127 [0.00050] MIN. THK NICKEL OVER ENTIRE CONTACT.



OBSOLETE	58.22 [2.292]	127.00 [5.000]	110.49 [4.350]	123.19 [4.850]	63.50 [2.500]	52.07 [2.050]	130.81 [5.150]	116.43 [4.584]	84	8-382486-4
	55.68 [2.192]	121.92 [4.800]	105.41 [4.150]	118.11 [4.650]	60.96 [2.400]	49.53 [1.950]	125.73 [4.950]	111.35 [4.384]	80	8-382486-0
	50.60 [1.992]	111.76 [4.400]	95.25 [3.750]	107.95 [4.250]	55.88 [2.200]	44.45 [1.750]	115.57 [4.550]	101.19 [3.984]	72	7-382486-2
OBSOLETE	48.06 [1.892]	106.68 [4.200]	90.17 [3.550]	102.87 [4.050]	53.34 [2.100]	41.91 [1.650]	110.49 [4.350]	96.11 [3.784]	68	6-382486-B
OBSOLETE	45.52 [1.792]	101.60 [4.000]	85.09 [3.350]	97.79 [3.850]	50.80 [2.000]	39.37 [1.550]	105.41 [4.150]	91.03 [3.584]	64	6-382486-4
OBSOLETE	30.28 [1.192]	71.12 [2.800]	54.61 [2.150]	67.31 [2.650]	35.56 [1.400]	24.13 [0.950]	74.93 [2.950]	60.55 [2.384]	40	4-382486-0
	DIM M	DIM J	DIM F	DIM E	DIM D	DIM C	DIM B	DIM A	POSN	

THIS DRAWING IS A CONTROLLED DOCUMENT.

DESIGNED BY: J. MILLER
 DRAWN BY: J. MILLER
 CHECKED BY: J. MILLER
 DATE: 11-18-88

TE Connectivity

SYMM IL, RTANG, 1.27 [050] CL ASSY, 6.35 [250] HCT

DATE: 11-18-88
 DRAWING NO: A100779
 CUSTOMER DRAWING: Q=382486

REV: 1
 SHEET: 2 OF 2