

4

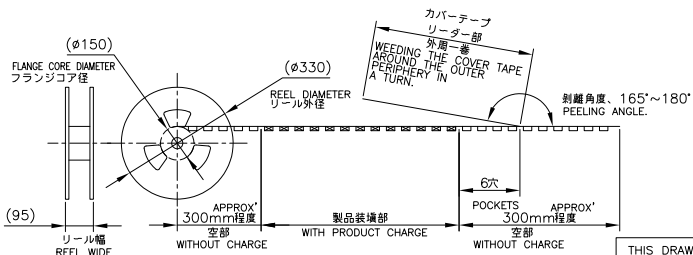
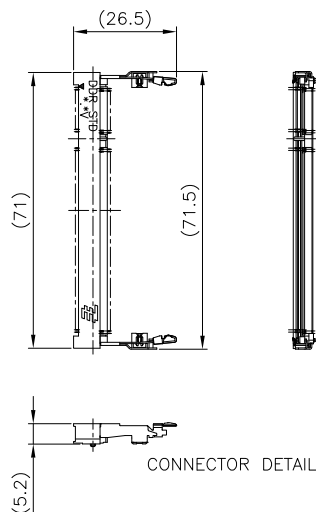
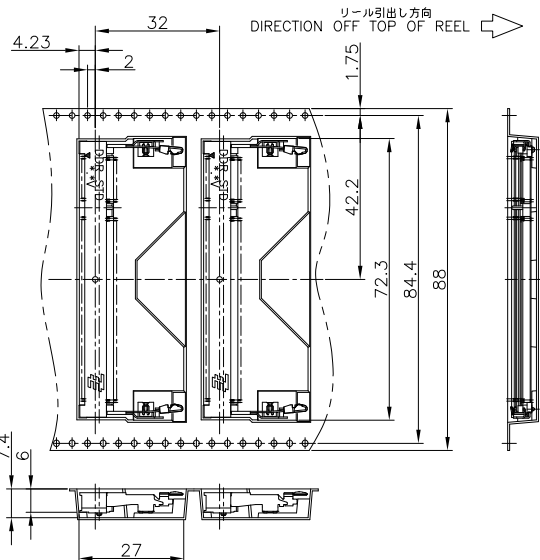
3

2

1

THIS DRAWING IS UNPUBLISHED. RELEASED FOR PUBLICATION DEC. 2001.  
 © COPYRIGHT 2001 BY TYCO ELECTRONICS CORPORATION. ALL RIGHTS RESERVED.

LOC	DIST	REVISIONS					
J		P	LTR	DESCRIPTION	DATE	DWN	APVD
		D1		ECR-10-014684	22JUL10	B.W	S.Y



鉛フリー  
LEAD FREE

1.8V (DDR2)	150EA/REEL	1565711-4	1565917-4
2.5V (DDR1)	150EA/REEL	1565711-3	1565917-1
POWER SUPPLY (TYPE)	QTY	CONNECTOR P/N	P/N

THIS DRAWING IS A CONTROLLED DOCUMENT.

DIMENSIONS: 単位: 概 MM	TOLERANCES UNLESS OTHERWISE SPECIFIED: 一般公差	DWN T.FUMIKURA 14DEC01	14DEC01	Tyco Electronics Tyco Electronics AMP K.K. Kawasaki, Japan
0 PLC ± 0.3 1 PLC ± 0.3 2 PLC ± 0.3 3 PLC ± 0.3 4 PLC ± 0.3 ANGLES ± 5°	FINISH 仕上	CHK T.KUSUHARA 14DEC01	14DEC01	
MATERIAL		APVD T.KUSUHARA 14DEC01	NAME 名称	EMBOSS ASSEMBLY DDR1 & DDR2 SODIMM SOCKET 200P STANDARD PROFILE STANDARD TYPE
		PRODUCT SPEC 製品規格 108-5701	SIZE	RESTRICTED TO
		APPLICATION SPEC 取付適用規格	CAGE CODE A300779	DRAWING NO 番号 1565917
		WEIGHT	CUSTOMER DRAWING	SCALE 尺度 1:1
				SHEET 1 OF 1 REV D1

AMP 1470-19 REV 31MAR2000

24JUL02 FJ031480