

9181 COMPACT FLASH TYPE II KIT



AVX/Elco is able to offer a COMPACT FLASH(C/F) TYPE II Card Kit that comes with a standard plastic extension.

The C/F TYPE II Card Kit can be used for various wireless related applications, including:

- PDA (personal digital assistance)
- Pagers
- Digital camera

The C/F TYPE II Card Kit consists of stainless steel covers, 50-position connector, plastic extensions and a plastic frame. The C/F TYPE II Card Kit obtains its rigidity from a unique snap feature design that locks the metal covers onto the plastic frame. The metal covers have an insulating film applied to them; this ensures that there is no short circuit between the components and the metal covers.

The unique design of the kit can easily be assembled using a very simple and inexpensive bench press tool, which allows the covers to snap into the plastic frame.

AVX/Elco can also offer custom solutions that allows the Design Engineer to incorporate SIM card reader, antenna, LEDs and plastic extensions to develop Cards for applications relating to; GPRS, WLAN or Edge technology (see custom option). AVX/Elco can support custom design solutions by offering 3D CAD solid modelling and SLA (stereolithography), this allows the creation of prototype samples in a matter of weeks for customer evaluation.

AVX/Elco has many years of experience in offering standard and custom solution cards and has manufacturing capabilities that can meet low to high production requirements of the end user.

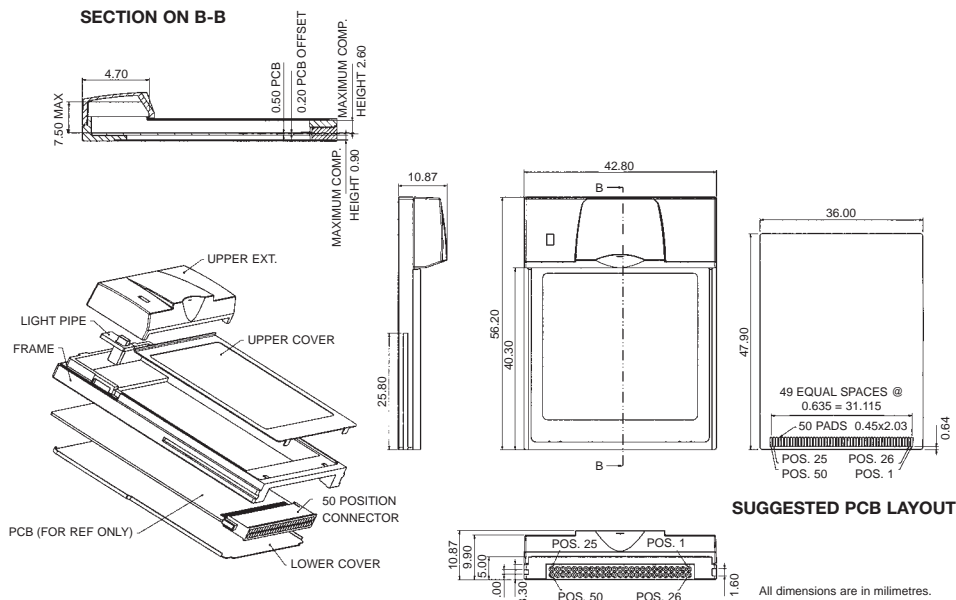
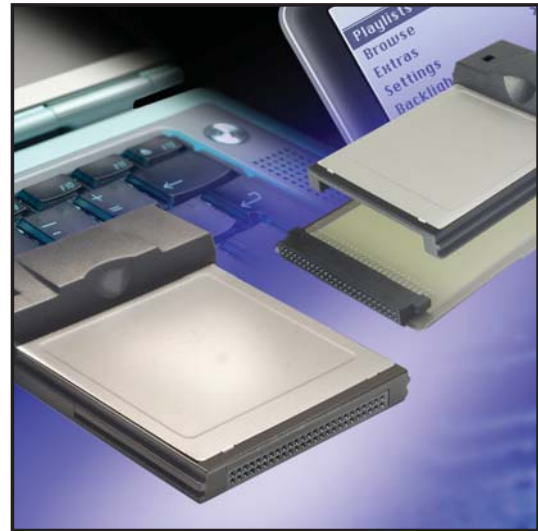
KEY FEATURES AND BENEFITS

Standard plastic extensions.

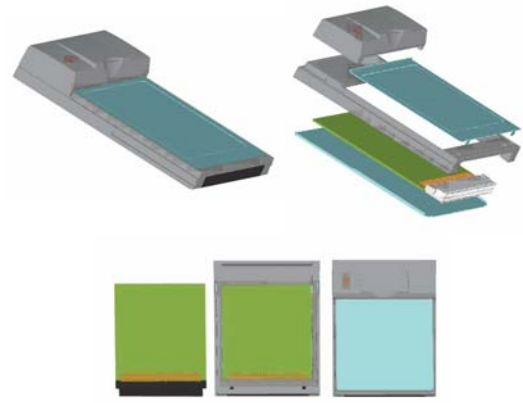
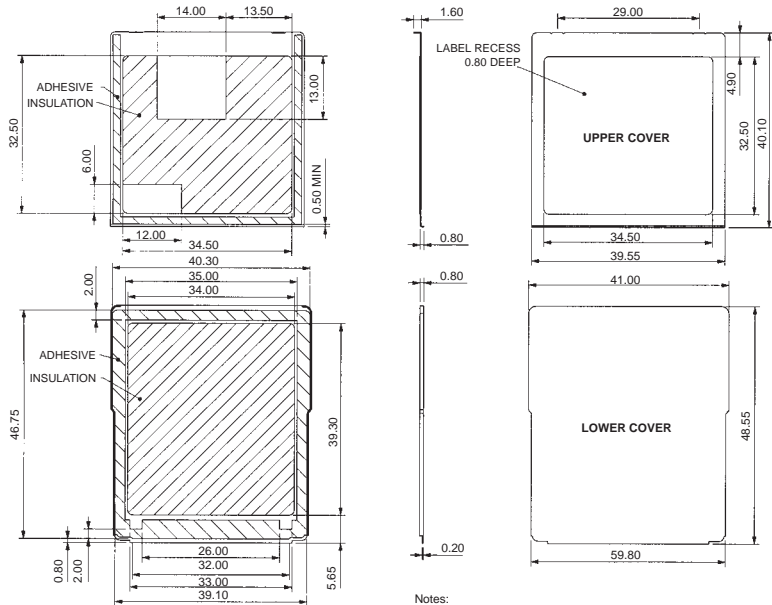
Easy to assemble using a simple bench press tooling.

Metal covers supplied with plastic insulating film.

Able to customise the kit so that SIM card reader, antenna or a plastic extension can be incorporated into the kit.

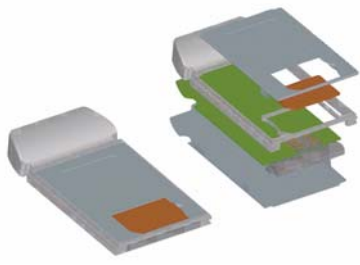


9181 COMPACT FLASH TYPE II KIT



Notes:
 1. Stainless steel covers 0.2mm thick.
 2. Dimensions shown are reference dimensions.
 3. 3m Adhesive to attach covers to frame
 4. 3m insulation, Mylar.

CUSTOM SOLUTION



HOW TO ORDER

58
T

9181
T

000
T

000
T

003
T

- Standard Kit consists of
- 50 position connector
 - Top/bottom metal cover
 - Plastic frame
 - Plastic extension



USA

AVX Myrtle Beach, SC
 Corporate Offices
 Tel: 843-448-9411
 Fax: 843-448-1943

EUROPE

AVX Limited, England
 European Headquarters
 Tel: +44 (0)1252 770000
 Fax: +44 (0)1252 770001

ASIA-PACIFIC

AVX/Kyocera, Singapore
 Asia-Pacific Headquarters
 Tel: (656) 6286-7555
 Fax: (656) 6488-9880

<http://www.avxcorp.com>

JB91811004