

4

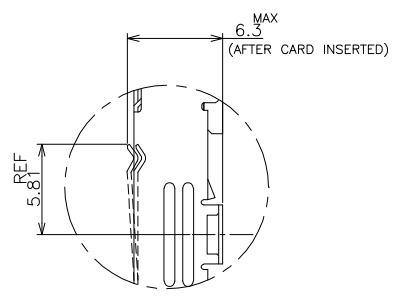
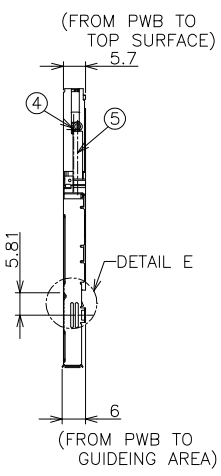
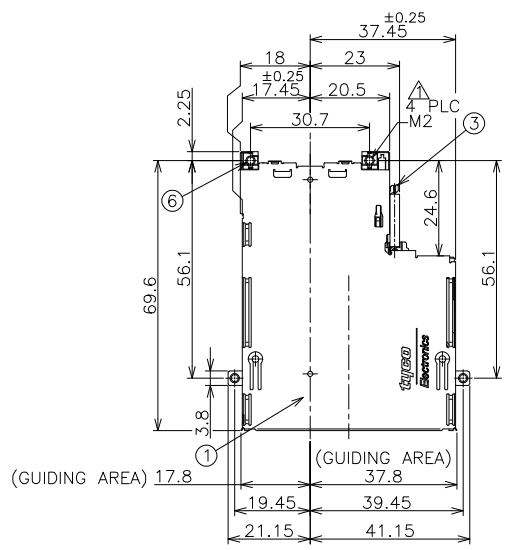
3

2

1

THIS DRAWING IS UNPUBLISHED. RELEASED FOR PUBLICATION  
 © COPYRIGHT - BY TYCO ELECTRONICS CORPORATION. ALL RIGHTS RESERVED.

LOC	DIST	REVISIONS				
P	LTR	DESCRIPTION	DATE	DWN	APVD	
A		REVISED (ECR-06-020181)	17AUG06	M.C	H.K	



1759010-1 : AS SHOWN

QTY	NAME	ITEM
2	NUT	⑥
1	COIL SPRING	⑤
1	CAM ROD	④
1	SLIDER	③
1	GUIDE RAIL HSG	②
1	SHIELD FRAME	①

THIS DRAWING IS A CONTROLLED DOCUMENT.

DIMENSIONS: mm	TOLERANCES UNLESS OTHERWISE SPECIFIED:	DWN: M. CHAO 16FEB05	Tyco Holdings (Bermuda) VII LTD, Taiwan Branch	
	0 PLC ± 0.5	CHK: T. FUTATSUGI 16FEB05	SHIELD FRAME ASSY, TOP MOUNT CARD PUSH TYPE ExpressCARD CONNECTOR	
	1 PLC ± 0.5	APVD: H. KODAMA 16FEB05	SIZE: A3	CAGE CODE: 00779
MATERIAL	FINISH	PRODUCT SPEC: 108-99000	DRAWING NO: 1759010	RESTRICTED TO
		APPLICATION SPEC: 501-99000	WEIGHT	SCALE: NON
		CUSTOMER DRAWING	SHEET: 1 OF 3	REV: A

4

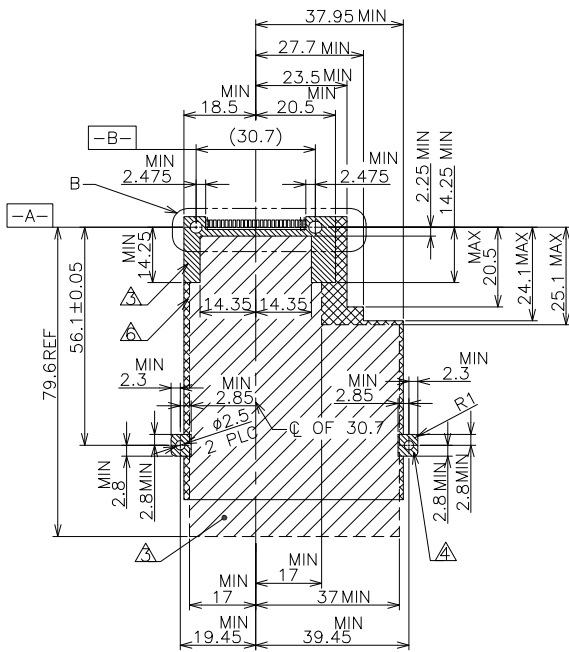
3

2

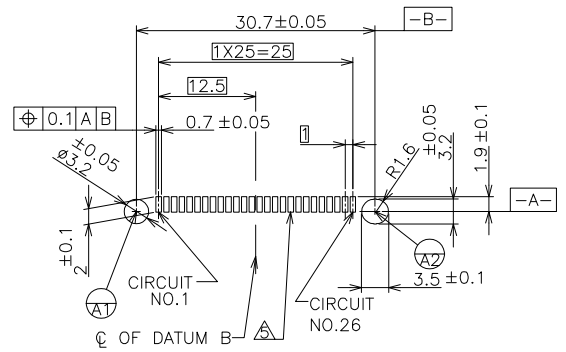
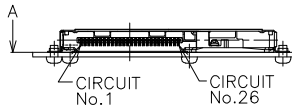
1

THIS DRAWING IS UNPUBLISHED. RELEASED FOR PUBLICATION  
 © COPYRIGHT - BY TYCO ELECTRONICS CORPORATION. ALL RIGHTS RESERVED.

LOC	DIST	REVISIONS			
P	LTR	DESCRIPTION	DATE	DWN	APVD
		SEE SHEET 1			



VIEW A(TOLERANCES : ±0.05)  
 REFERENCE P.C.BOARD LAYOUT



DETAIL B  
 (SCALE: 2:1)  
 (HEADER CONNECTOR MOUNTING LAYOUT DETAIL)

THIS DRAWING IS A CONTROLLED DOCUMENT.		DWN	Tyco Electronics		Tyco Holdings (Bermuda) VII LTD, Taiwan Branch
DIMENSIONS:	TOLERANCES UNLESS OTHERWISE SPECIFIED:	CHK	NAME	SHIELD FRAME ASSY, TOP MOUNT CARD PUSH TYPE ExpressCARD CONNECTOR	
mm	0 PLC ± 0.5 1 PLC ± 0.5 2 PLC ± 0.5 3 PLC ± 0.5 4 PLC ± 0.5 ANGLES ± 1°	APVD	SIZE	CAGE CODE	DRAWING NO
		PRODUCT SPEC	A3	00779	C=1759010
MATERIAL	FINISH	APPLICATION SPEC	WEIGHT	CUSTOMER DRAWING	RESTRICTED TO
				SCALE NON	SHEET 2 OF 3 REV A

4

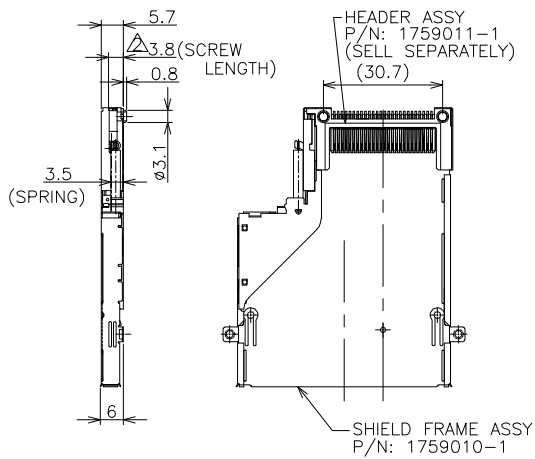
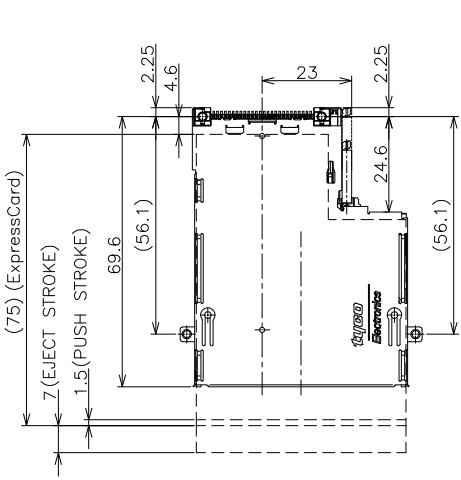
3

2

1

THIS DRAWING IS UNPUBLISHED. RELEASED FOR PUBLICATION  
 © COPYRIGHT BY TYCO ELECTRONICS CORPORATION. ALL RIGHTS RESERVED.

LOC	DIST	REVISIONS			
P	LTR	DESCRIPTION	DATE	DWN	APVD
DW		SEE SHEET 1			



- ⚠ RECOMENDED TIGHTENING TORQUE 0.10Nm MAX
- ⚠ SCREW LENGTH(FROM MOUNT SURFACE)
- ⚠ NO COMPONENT AND NO SIGNAL LINE AREA
- ⚠ GROUNDING PAD
- ⚠ SOLDERING PAD
- ⚠ CONNECTOR AREA (NO COMPONENT AREA)

REFERENCE FIGURE WHICH ATTACHED  
 HEADER ASSEMBLY



THIS DRAWING IS A CONTROLLED DOCUMENT.		OWN	Tyco Holdings (Bermuda)	
DIMENSIONS: mm		CHK	VII LTD, Taiwan Branch	
TOLERANCES UNLESS OTHERWISE SPECIFIED:		APVD	NAME	
0 PLC ± 0.5		PRODUCT SPEC	SHIELD FRAME ASSY, TOP MOUNT	
1 PLC ± 0.5		APPLICATION SPEC	CARD PUSH TYPE	
2 PLC ± 0.5		WEIGHT	ExpressCARD CONNECTOR	
3 PLC ± 0.5		CUSTOMER DRAWING	SIZE	RESTRICTED TO
4 PLC ± 0.5			A3	
ANGLES ± 1°			CAGE CODE	DRAWING NO
FINISH			00779	C=1759010
		SCALE	NON	SHEET 3 of 3
				REV A