

4

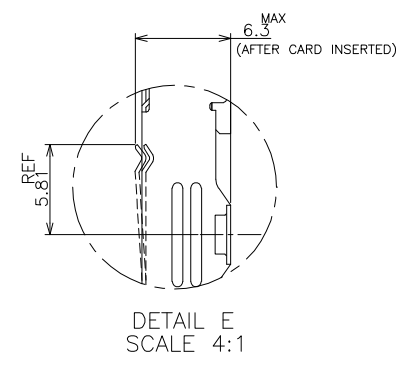
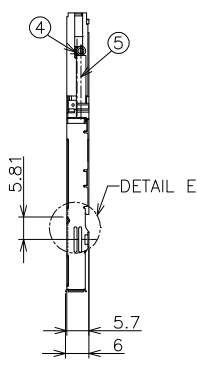
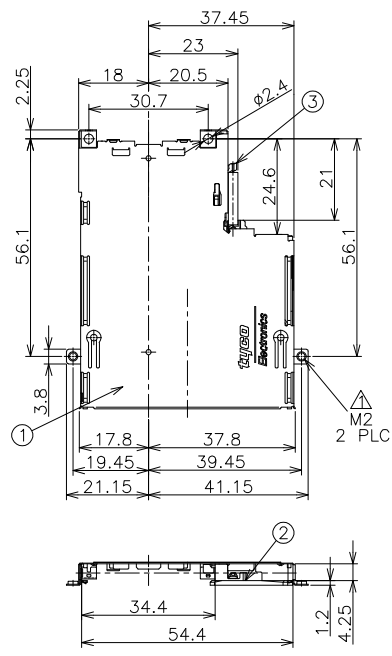
3

2

1

THIS DRAWING IS UNPUBLISHED. RELEASED FOR PUBLICATION
 © COPYRIGHT - BY TYCO ELECTRONICS CORPORATION. ALL RIGHTS RESERVED.

LOC	DIST	REVISIONS				
P	LTR	DESCRIPTION	DATE	DWN	APVD	
DW		RELEASE	13APR05	M.C	H.K	



1759066-1 : AS SHOWN

QTY	NAME	ITEM
1	COIL SPRING	⑤
1	CAM ROD	④
1	SLIDER	③
1	GUIDE RAIL HSG	②
1	SHELL	①

THIS DRAWING IS A CONTROLLED DOCUMENT.		DWN M. CHAO 13APR05	Tyco Holdings (Bermuda) VII LTD, Taiwan Branch	
DIMENSIONS: mm	TOLERANCES UNLESS OTHERWISE SPECIFIED:	CHK T. FUTATSUGI 13APR05	APVD H. KODAMA 13APR05	
	0 PLC ± 0.5 1 PLC ± 0.5 2 PLC ± 0.5 3 PLC ± 0.5 4 PLC ± 0.5 ANGLES ± 1°	PRODUCT SPEC 108-99000	NAME SHIELD FRAME ASSY, TOP MOUNT CARD PUSH TYPE ExpressCARD CONNECTOR	
MATERIAL	FINISH	APPLICATION SPEC	SIZE A3	CAGE CODE 00779
		WEIGHT	DRAWING NO C=1759066	RESTRICTED TO
CUSTOMER DRAWING			SCALE 1:1	SHEET 1 OF 4
			REV A	

AMP 1470-19 REV 31MAR2000

4

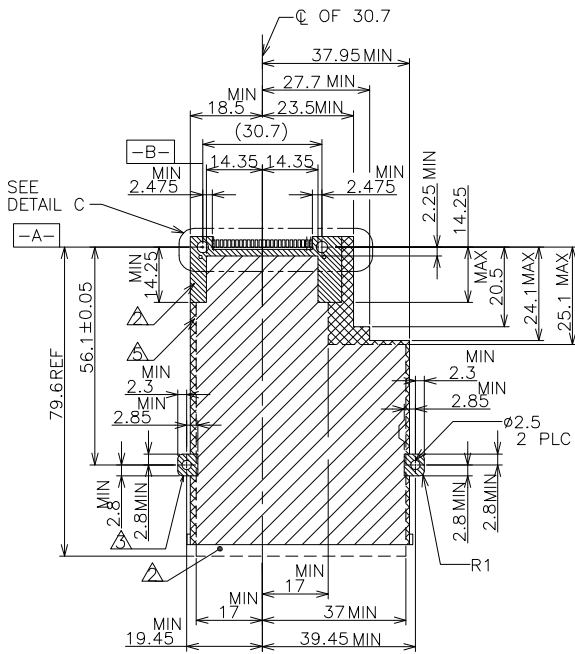
3

2

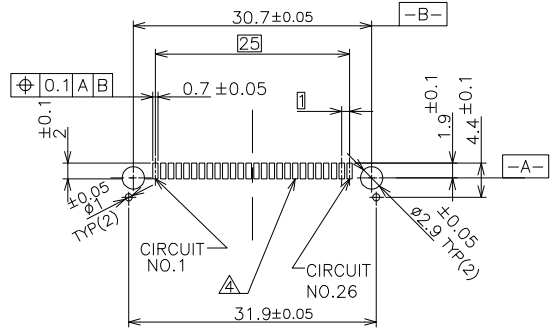
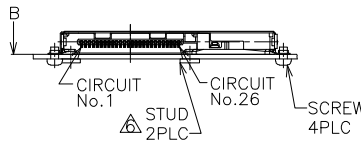
1

THIS DRAWING IS UNPUBLISHED. RELEASED FOR PUBLICATION
 © COPYRIGHT BY TYCO ELECTRONICS CORPORATION. ALL RIGHTS RESERVED.

LOC	DIST	REVISIONS			
P	LTR	DESCRIPTION	DATE	DWN	APVD
DW		SEE SHEET 1			

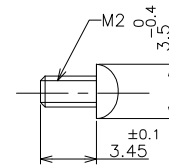


VIEW B (TOLERANCES : ±0.05)
 REFERENCE P.C. BOARD LAYOUT



DETAIL C
 (SCALE; 2:1)

(HEADER CONNECTOR MOUNTING LAYOUT DETAIL
 PWB THICKNESS: 1.4±0.15)



REFERENCE SCREW DIMENSION
 (APPLIED FOR 4 HOLES)
 (PREPARED BY CUSTOMER)

THIS DRAWING IS A CONTROLLED DOCUMENT.		OWN	Tyco Holdings (Bermuda)	
DIMENSIONS: mm		CHK	VII LTD, Taiwan Branch	
TOLERANCES UNLESS OTHERWISE SPECIFIED:		APVD	NAME	
0 PLC ±0.5	1 PLC ±0.5	PRODUCT SPEC	SHIELD FRAME ASSY, TOP MOUNT	
2 PLC ±0.5	3 PLC ±0.5	APPLICATION SPEC	CARD PUSH TYPE	
4 PLC ±0.5	ANGLES ±1°	WEIGHT	ExpressCARD CONNECTOR	
MATERIAL	FINISH	SIZE	CAGE CODE	DRAWING NO
		A3	00779	C=1759066
CUSTOMER DRAWING		SCALE	SHEET	REV
		1:1	2 OF 4	A

4

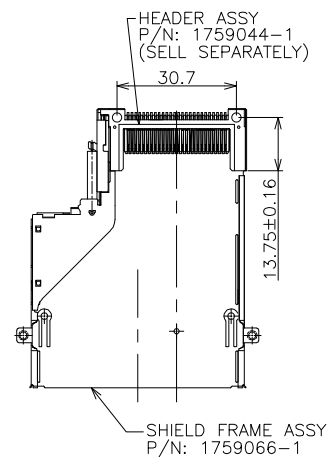
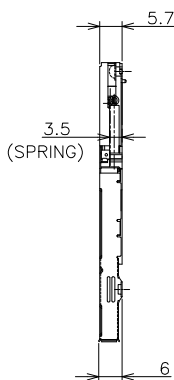
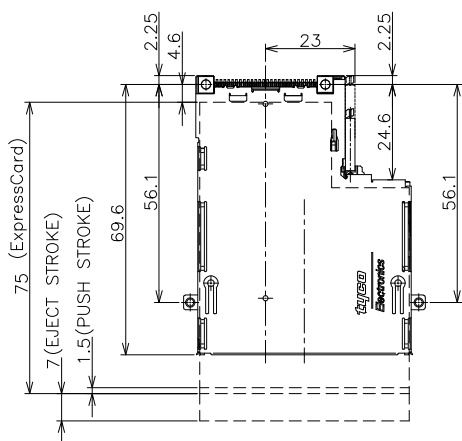
3

2

1

THIS DRAWING IS UNPUBLISHED. RELEASED FOR PUBLICATION
 © COPYRIGHT BY TYCO ELECTRONICS CORPORATION. ALL RIGHTS RESERVED.

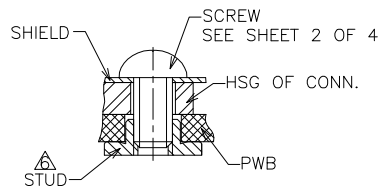
LOC	DIST	REVISIONS			
P	LTR	DESCRIPTION	DATE	DWN	APVD
-	-	SEE SHEET 1	-	-	-



REFERENCE FIGURE WHICH ATTACHED
 HEADER ASSEMBLY



8. FIXING OF REAR END:



NOTE.

- ▲ RECOMENDED TIGHTENING TORQUE 0.1Nm MAX.
- ▲ NO COMPONENT AND NO SIGNAL LINE AREA
- ▲ GROUNDING PAD
- ▲ SOLDERING PAD
- ▲ CONNECTOR AREA (NO COMPONENT AREA)
- ▲ P/N OF STUD: 1759068-1
- 7. SHIELD FRAME THICKNESS 0.25mm

THIS DRAWING IS A CONTROLLED DOCUMENT.		DWN	Tyco Holdings (Bermuda)	
DIMENSIONS: mm		CHK	Tyco Electronics VII LTD, Taiwan Branch	
TOLERANCES UNLESS OTHERWISE SPECIFIED:		APVD	NAME	
0 PLC ± 0.5		PRODUCT SPEC	SHIELD FRAME ASSY, TOP MOUNT	
1 PLC ± 0.5		APPLICATION SPEC	CARD PUSH TYPE	
2 PLC ± 0.5		WEIGHT	ExpressCARD CONNECTOR	
3 PLC ± 0.5		CUSTOMER DRAWING	SIZE A3	RESTRICTED TO
4 PLC ± 0.5			CAGE CODE 00779	DRAWING NO C-1759066
ANGLES ± 1°		SCALE 1:1	SHEET 3 OF 4	REV A

4

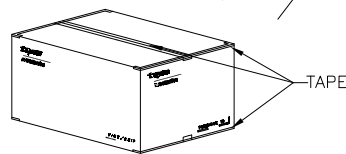
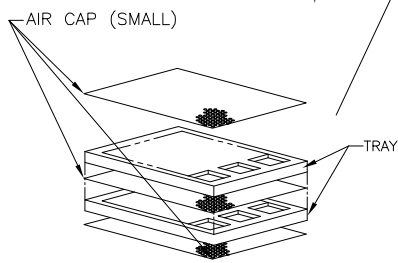
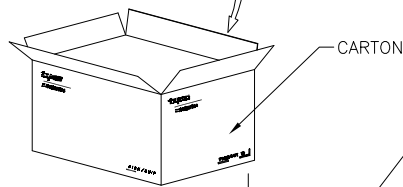
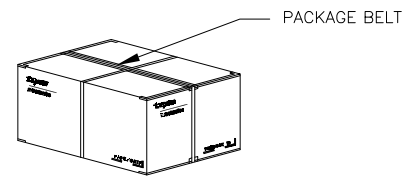
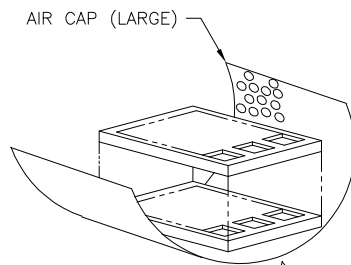
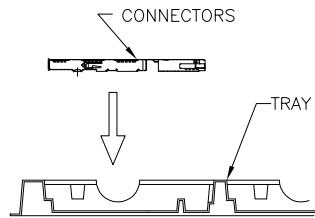
3

2

1

THIS DRAWING IS UNPUBLISHED. RELEASED FOR PUBLICATION
 © COPYRIGHT - BY TYCO ELECTRONICS CORPORATION. ALL RIGHTS RESERVED.

LOC		DIST		REVISIONS			
P	LTR	DESCRIPTION	DATE	DWN	APVD		
-	-	SEE SHEET 1	-	-	-		



NOTE
 1. CARTON DIMENSIONS: 387X315X170

16	10	160
PCS/TRAY	TRAYS/CARTON	QUANTITY

THIS DRAWING IS A CONTROLLED DOCUMENT.		DWN
DIMENSIONS:		CHK
mm	TOLERANCES UNLESS OTHERWISE SPECIFIED:	APVD
	0 PLC ± 0.5	PRODUCT SPEC
	1 PLC ± 0.5	APPLICATION SPEC
	2 PLC ± 0.5	WEIGHT
	3 PLC ± 0.5	CUSTOMER DRAWING
	4 PLC ± 0.5	SCALE
MATERIAL	FINISH	RESTRICTED TO
		ANGLE

Tyco Holdings (Bermuda)		VII LTD, Taiwan Branch	
NAME			
SHIELD FRAME ASSY, TOP MOUNT			
CARD PUSH TYPE			
ExpressCARD CONNECTOR			
SIZE	CAGE CODE	DRAWING NO	RESTRICTED TO
A3	00779	C-1759066	-
SCALE		SHEET	REV
FREE		4	4 A