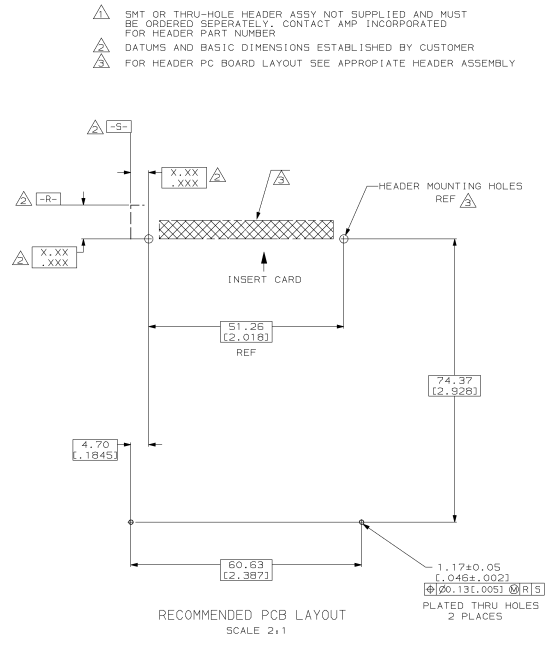
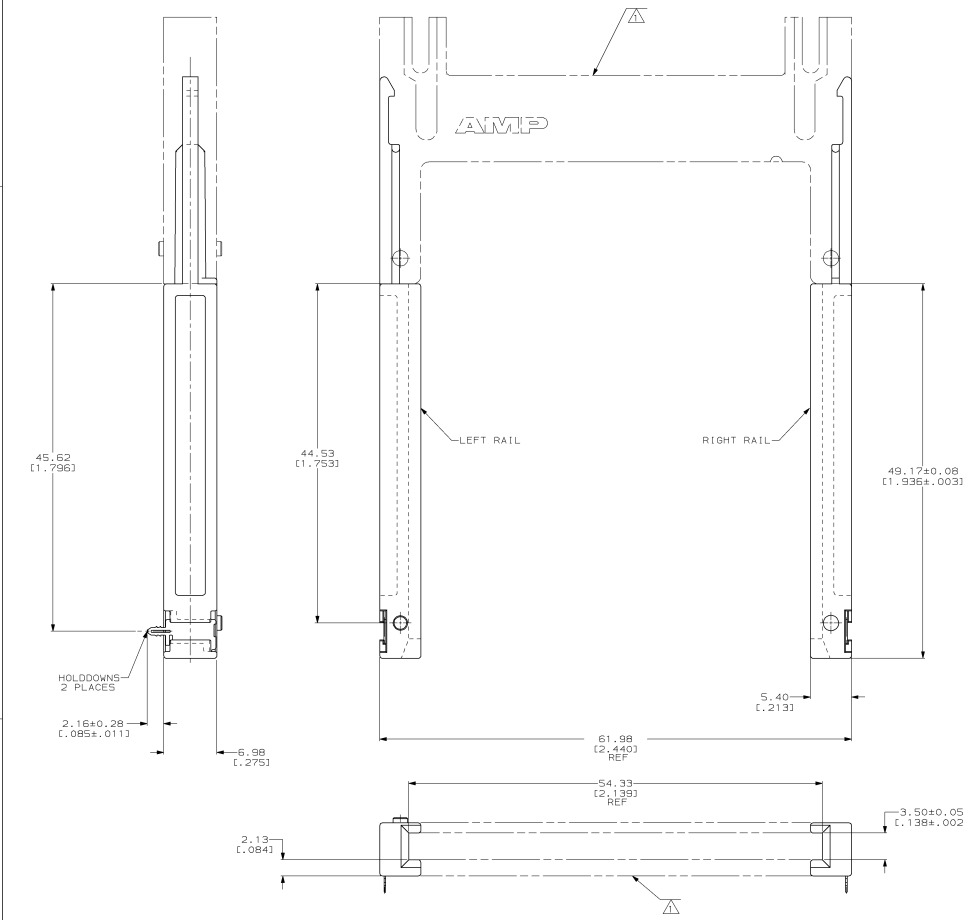


DRAWING MADE IN THIS OFFICE PRODUCTION  
 THIS DRAWING IS UNPUBLISHED. RELEASED FOR PUBLICATION  
 © Copyright 1988 BY AMP INCORPORATED. ALL INTERNATIONAL RIGHTS RESERVED.

REV	DATE	DESCRIPTION	BY	APP
AD 39		RELEASED PER PFR		3/8/93 BE



RIGHT GUIDE RAIL WITH HOLDDOWN		535664-2
LEFT GUIDE RAIL WITH HOLDDOWN		535664-1
DESCRIPTION		PART NO
DO NOT SCALE PRINT, UNLESS SPECIFIED DIMENSIONS IN MM (INCHES) TOLERANCES: UN 2 P.L.C. DEC 48.13 (1.892) 3 P.L.C. DEC # - ANGLES # - MATERIAL: RAIL, LCP - COLOR: BLACK; HOLD DOWNS, PHOSPHOR BRONZE FINISH: HOLD DOWNS: TIN		<b>AMP</b> Incorporated Harrisburg, PA 17105-3608 NAME: GUIDE RAILS, EXTENDED, WITH THRU-HOLE HOLDDOWNS, AMP MEMORY CARD DR 3/8/93 CJK 3/8/93 APPD 3/8/93 B ELI/TKR APPD 3/8/93 B PL/INCH/BAUGH PRODUCT SPEC APPLICATION SPEC SIZE: 00779 CASE CODE: 00779 DRAWING NO: 00779 WEIGHT: 2.1 GRAMS SCALE: 4:1

09 MAR 1993 12:15:51 amp25716 /home/sd026a/dep11321/amp25716/drawing/thead

CUSTOMER DRAWING