

4

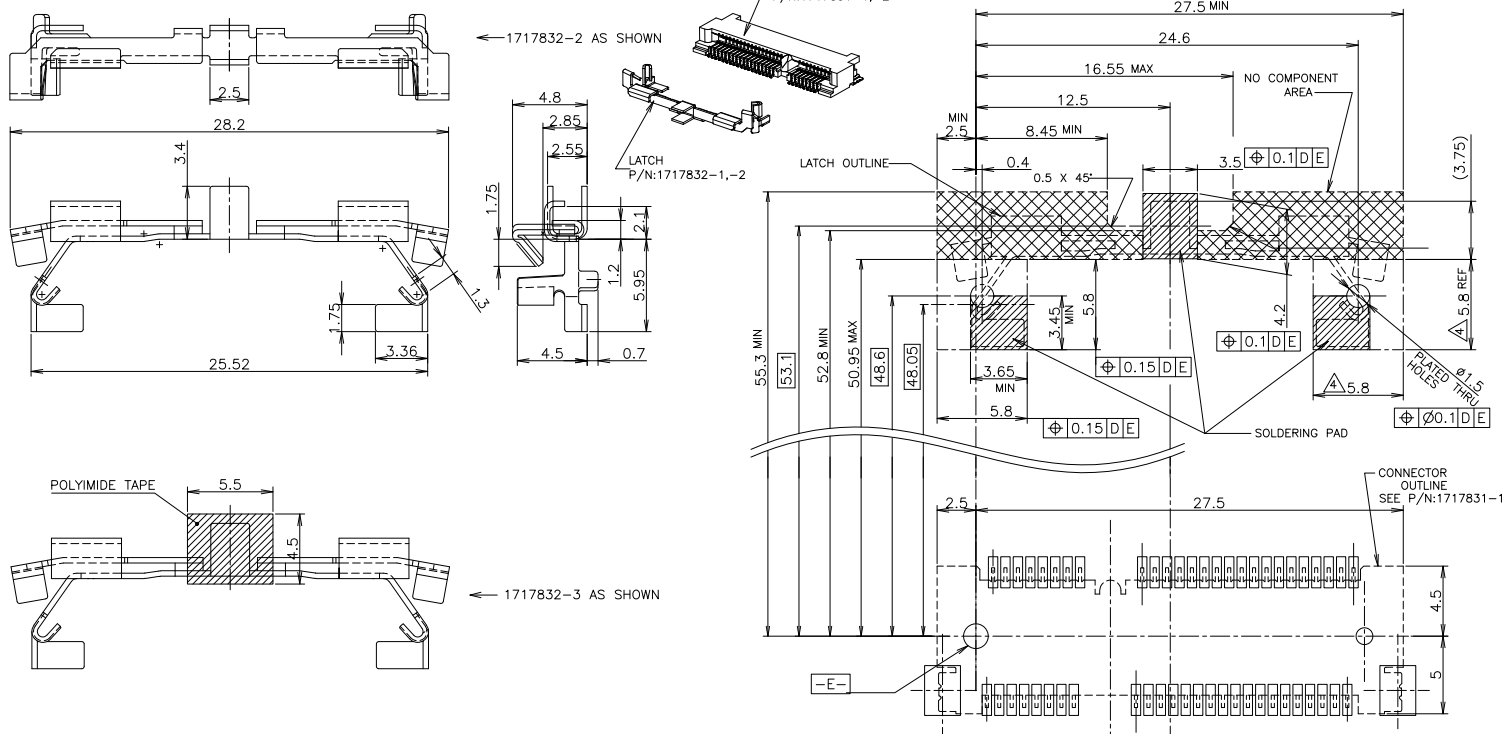
3

2

1

THIS DRAWING IS UNPUBLISHED. RELEASED FOR PUBLICATION OCT. 2003.  
 COPYRIGHT 2003 By - ALL RIGHTS RESERVED.

LOC	DIST	REVISIONS				
P	LTR	DESCRIPTION	DATE	DWN	APVD	
C1		REVISED PER ECO-11-005030	11MAR11	RK	HMR	



NOTE  
 1. MATERIAL : COPPER ALLOY  
 2. FINISH : TIN PLATING ALL OVER NICKEL  
 3. [D] IS THE TOP SURFACE OF PCB.  
 4. COMPONENT KEEP OUT AREA BASED ON MINI PCI EXPRESS SPECIFICATION 1.0 CANDIDATE DRAFT (v1)

TOLERANCES UNLESS OTHERWISE SPECIFIED	
10 ≥ : ±0.2	
30 ≥ > 10: ±0.25	
100 ≥ > 10: ±0.3	
ANGLES : ±3°	

THIS DRAWING IS A CONTROLLED DOCUMENT.

DIMENSIONS: MM	TOLERANCES UNLESS OTHERWISE SPECIFIED: 0 PLC ± 1 PLC ± 2 PLC ± 3 PLC ± 4 PLC ± ANGLES ±	DWN: J.TANIGAWA 10OCT03 CHK: Y.YAMAMOTO 10OCT03 APVD: Y.YAMAMOTO 10OCT03	TE Connectivity	
MATERIAL: SEE NOTE	FINISH: SEE NOTE	PRODUCT SPEC: 108-5899 APPLICATION SPEC	NAME: SEMI HARD TRAY & EMBOSS TAPE SUPPLY MINI PCI EXPRESS CONNECTOR LATCH	
		WEIGHT: 0.6g	SIZE: A3	RESTRICTED TO: -
		CUSTOMER DRAWING	CAGE CODE: 00779	DRAWING NO: C-1717832
			SCALE: 4:1	SHEET: 1 OF 4
				REV: C1

4

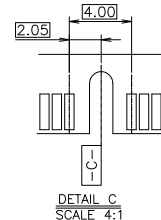
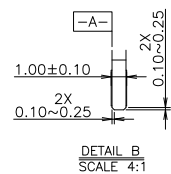
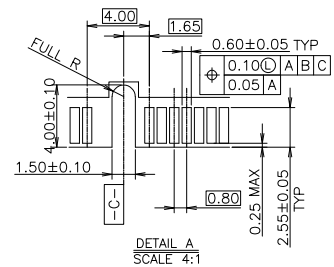
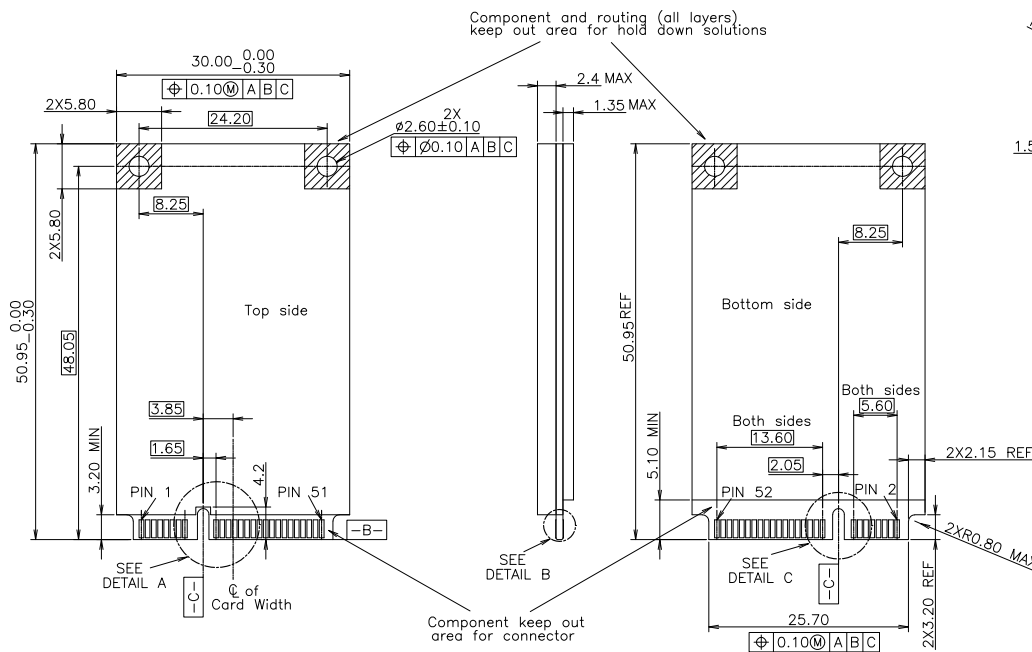
3

2

1

THIS DRAWING IS UNPUBLISHED. RELEASED FOR PUBLICATION OCT. 2003.  
 © COPYRIGHT 2003 By - ALL RIGHTS RESERVED.

LOC	DIST	REVISIONS				
P	LTR	DESCRIPTION	DATE	DWN	APVD	
-	-	SEE SHEET 1	-	-	-	



- NOTES  
 1. PCI EXPRESS MINI CARD, PCB THICKNESS 1.0MM.  
 2. CARD THICKNESS APPLIES ACROSS TABS AND INCLUDES PLATING AND/OR METALIZATION.  
 3. BEVEL MUST BE FREE OF CUTTING BURRS.

THIS DRAWING IS A CONTROLLED DOCUMENT.		DWN	TE Connectivity		
DIMENSIONS: MM		CHK			
TOLERANCES UNLESS OTHERWISE SPECIFIED:		APVD	NAME		
0 PLC	±	PRODUCT SPEC	SEMI HARD TRAY & EMBOSS TAPE SUPPLY		
1 PLC	±	108-5899	MINI PCI EXPRESS CONNECTOR LATCH		
2 PLC	±	APPLICATION SPEC	SIZE	CAGE CODE	DRAWING NO
3 PLC	±		A3	00779	C-1717832
4 PLC	±		RESTRICTED TO		
ANGLES	±	WEIGHT	-		
MATERIAL	FINISH	CUSTOMER DRAWING	SCALE	SHEET	REV
			2:1	2 of 4	C1

4

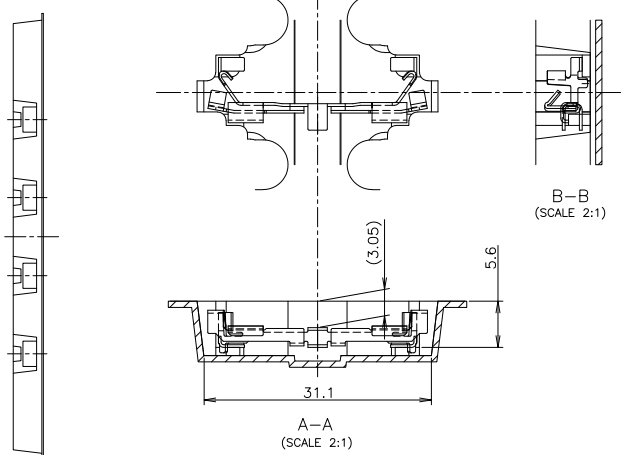
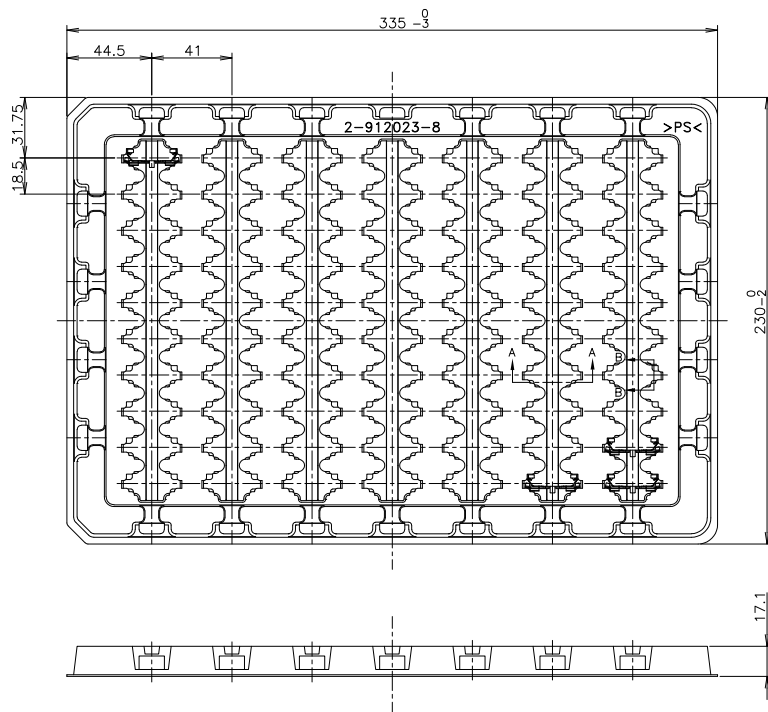
3

2

1

THIS DRAWING IS UNPUBLISHED. RELEASED FOR PUBLICATION OCT. 2003.  
 © COPYRIGHT 2003 By - ALL RIGHTS RESERVED.

LOC		DIST		REVISIONS				
P	LTR	DESCRIPTION	DATE	DWN	APVD			
-	-	SEE SHEET 1	-	-	-			



NOTE  
 1. THE DIRECTION OF EACH LATCH ON A TRAY IS REFERRED TO THIS DWG.

70EA/TRAY	2-912023-8	1717832-1
QTY	TRAY P/N	P/N

THIS DRAWING IS A CONTROLLED DOCUMENT.

DIMENSIONS:	TOLERANCES UNLESS OTHERWISE SPECIFIED:	DWN
MM	0 PLC ±	CHK
	1 PLC ±	APVD
	2 PLC ±	PRODUCT SPEC
	3 PLC ±	108-5899
	4 PLC ±	APPLICATION SPEC
	ANGLES ±	WEIGHT
		CUSTOMER DRAWING

TOLERANCES UNLESS OTHERWISE SPECIFIED  
 ±0.5

<b>STE</b> TE Connectivity			
NAME SEMI HARD TRAY & EMBOSS TAPE SUPPLY MINI PCI EXPRESS CONNECTOR LATCH			
SIZE	CAGE CODE	DRAWING NO	RESTRICTED TO
A3	00779	C-1717832	
SCALE NTS		SHEET 3 of 4	REV C1

4

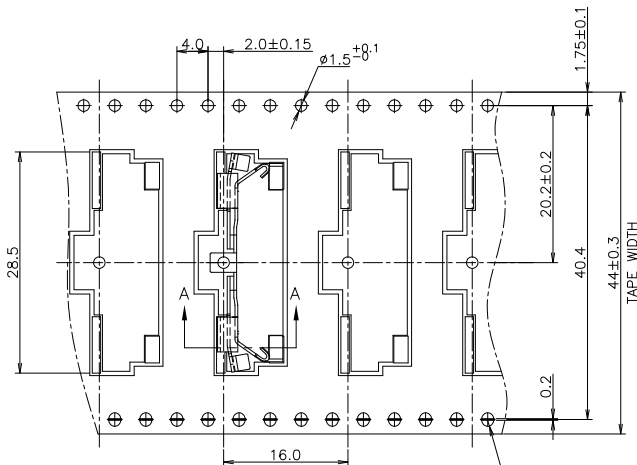
3

2

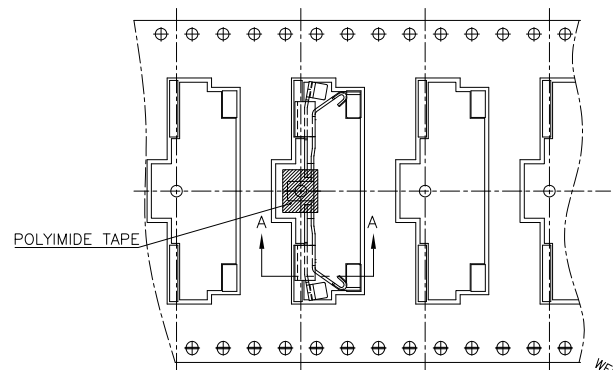
1

THIS DRAWING IS UNPUBLISHED. RELEASED FOR PUBLICATION OCT. 2003.  
 © COPYRIGHT 2003 By - ALL RIGHTS RESERVED.

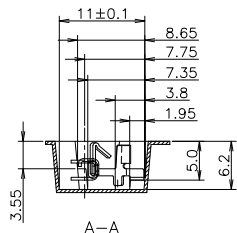
LOC	DIST	REVISIONS			
P	LTR	DESCRIPTION	DATE	DWN	APVD
-	-	SEE SHEET 1	-	-	-



1717832-2 AS SHOWN

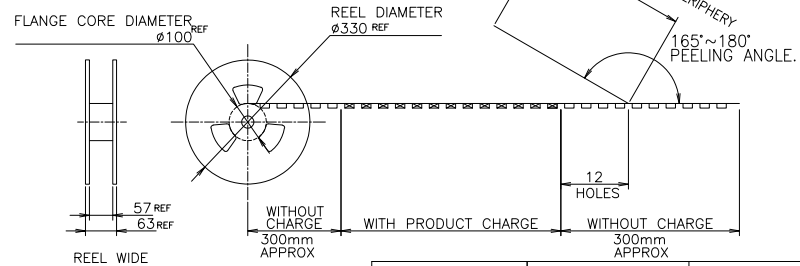


1717832-3 AS SHOWN



A-A

TOP OF REEL →



500EA	6-912103-0	1717832-3
500EA	6-912103-0	1717832-2
QTY/REEL	EMBOSS TAPE P/N	P/N

1 PEELING RESISTANCE : 0.1N~1.3N  
 (10gf~130gf)  
 SPEED : 300mm/min

THIS DRAWING IS A CONTROLLED DOCUMENT.

DIMENSIONS: MM	TOLERANCES UNLESS OTHERWISE SPECIFIED: 0. PLC ± 1. PLC ± 2. PLC ± 3. PLC ± 4. PLC ± ANGLES ±	DWN CHK APVD	TE Connectivity NAME SEMI HARD TRAY & EMBOSS TAPE SUPPLY MINI PCI EXPRESS CONNECTOR LATCH	
MATERIAL	FINISH	PRODUCT SPEC 108-5899	SIZE A3	RESTRICTED TO
		APPLICATION SPEC	CAGE CODE 00779	DRAWING NO 1717832
		WEIGHT	SCALE 2:1	SHEET 4 of 4
		CUSTOMER DRAWING	REV C1	