

4

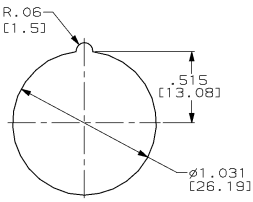
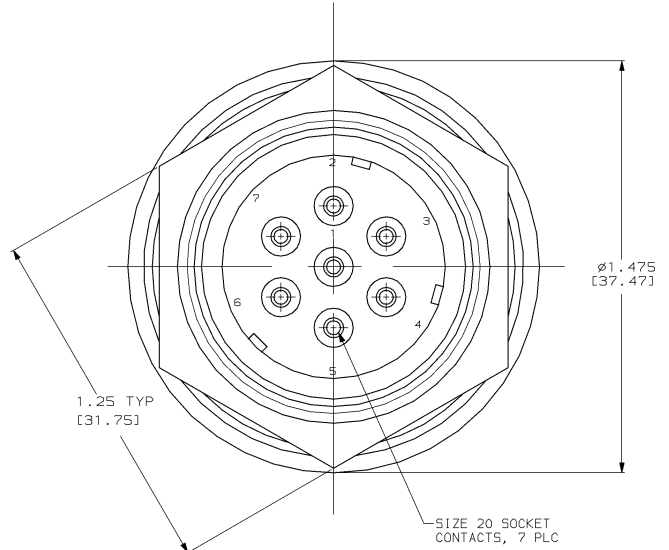
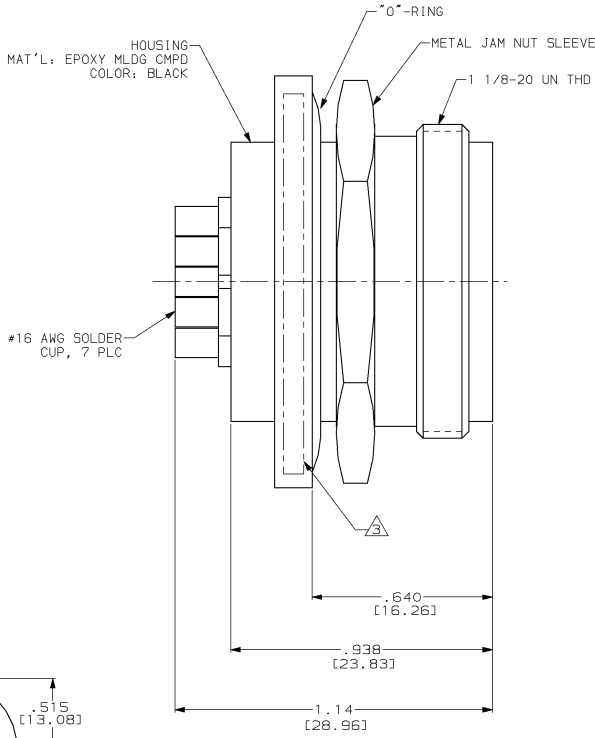
3

2

1

THIS DRAWING IS UNPUBLISHED. RELEASED FOR PUBLICATION
 BY AMP INCORPORATED. ALL RIGHTS RESERVED.

LOC	DIST	REV	DESCRIPTION	DATE	BY	APP'D
DF	SO	A	REV & REDRAWN, 0600-5547-96	7-96	CT	SG



RECOMMENDED PANEL CUTOUT
 SCALE 2:1

- 1. MAX PANEL THICKNESS: .125 [3.18].
- 2. THIS RECEPTACLE IS HERMETICALLY SEALED.
- 3. MARKED PER MIL-STD-130.

866182-1
 PART NO.

THIS DRAWING IS A CONTROLLED DOCUMENT.		DN C. C. THOMAS 7-29-96	AMP Incorporated Harrisburg, PA 17105-3608
DIMENSIONS INCHES (mm)		CHK S. SLATER/ELTER 8-13-96	AMP
TOLERANCES UNLESS SPECIFIED		APP'D S. SLATER/ELTER 8-13-96	NAME
Ø PLC	±.001	PRODUCT SPEC	7 PIN MINIATURE RCPT KIT, LGH
Ø PLC	±.001 (0.31)	APPLICATION SPEC	SIZE
Ø PLC	±.010 (0.25)	HEIGHT	CAGE CODE
Ø PLC	±.001	ANGLE	DRAWING NO
ANGLE	±.001	SEE CALLOUTS	A2 00779
MATERIAL	SEE CALLOUTS	CUSTOMER DRAWING	SCALE
FINISH	SEE CALLOUTS		4:1
			SHEET 1 OF 1
			REV A