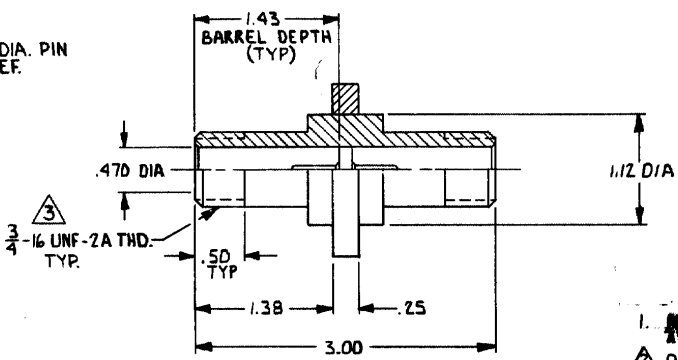
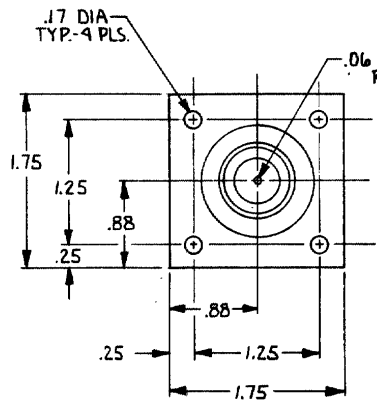


DRAWING MADE IN THIRD ANGLE PROJECTION

© COPYRIGHT 1968 BY AMP INCORPORATED, HARRISBURG, PA. ALL INTERNATIONAL RIGHTS RESERVED. AMP INCORPORATED PRODUCTS COVERED BY U.S. AND FOREIGN PATENTS AND/OR PATENTS PENDING.

REVISIONS						
P	F	ZONE	LTR	DESCRIPTION	DATE	APPROVED
			B	REDRAWN	9-13-79	M.B.
			C	OBSOLETE -2 ECN 53622	11-13-86	R.S.
			D	REV PER E.C.N. S-3960	4-13-87	R.S.



1. RECEPTACLE TO MATE WITH AMP LGH -2 LEAD ASSEMBLY AVAILABLE SEPARATELY.
 2. OBSOLETE PART NUMBER.
 3. PER FEDERAL STANDARD H-28 3WIRE METHOD - DIMENSION OVER WIRES TO BE: .7474-.7654.

P/N	DESCRIPTION	QTY REQD	FINAL ASSY	NEXT ASSY	USED ON	APPLICATION	UNLESS OTHERWISE SPECIFIED DIMENSIONS ARE IN INCHES. TOLERANCES: .00 ± .03 .000 ± .015 ANGLES ±	CONTRACT NO	DR	CHK	APPD	APPO	DESIGN APPD	OTHER APPD	NAME	SIZE	CODE IDENT NO	DRAWING NO	PART NO
850735-2	RECEPTACLE (PIN - GOLD PLATED)														AMP INCORPORATED Elizabethtown, Pa.	B	00779	850735	
850735-1	RECEPTACLE (PIN - TIN PLATED)																		

AMP 1470-14 REV 10-73

CUSTOMER DRAWING