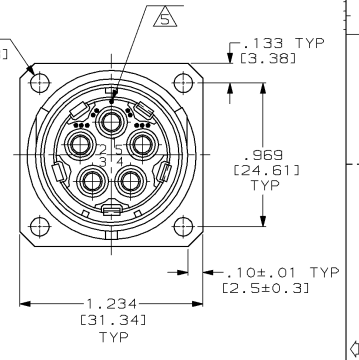
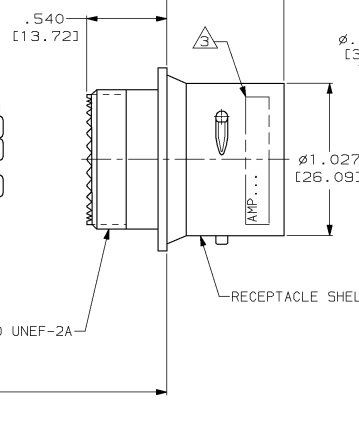
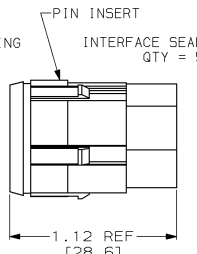
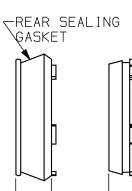
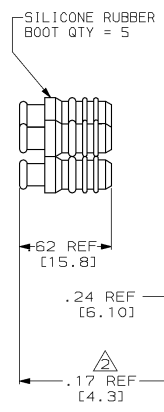
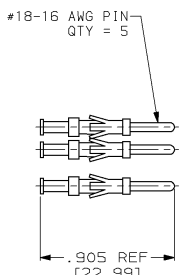


DRAWING MADE IN THIRD ANGLE PROJECTION
THIS DRAWING IS UNPUBLISHED. RELEASED FOR PUBLICATION .19
© COPYRIGHT 19 BY AMP INCORPORATED. ALL INTERNATIONAL RIGHTS RESERVED.

PROD		LOC		DIST		REV		REVISIONS		
CODE	DF	P	F	ZONE	LTR	J	REV PER	DESCRIPTION	DATE	APPD
4061				50				REV PER 0600-7385-98 JY	9-98	DE



- THIS RECEPTACLE REQUIRES A SIZE 16 MIL-C-38999F BACKSHELL OR EQUIVALENT STRAIN RELIEF.
 - THE INDICATED DIMENSIONS APPLY AFTER ASSEMBLY. COMPLETE OVERALL DIMENSIONS AFTER ASSEMBLY DEPEND UPON THE SPECIFIC BACKSHELL OR STRAIN RELIEF USED.
 - MARKED PER MIL-STD-130 USING BLACK INK. .09 [2.3] HIGH CHARS FOR -1 ONLY. .060 [1.52] HIGH CHARS FOR ALL OTHER DASH NUMBERS. SEE TABLE FOR SPECIAL MARKING.
 - TO ASSEMBLE SEE INSTRUCTION SHEET #864886-3.
- △ SINGLE DOT POLARIZATION SHOWN FOR REFERENCE ONLY.

(00779/AMP,863755-4) DATE CODE	49956-848285-3B REV M	863755-4
(00779/AMP,863755-3) DATE CODE	49956-848285-3A REV M	863755-3
(00779/AMP,863755-2) DATE CODE	49956-848285-3 REV M	863755-2
(00779/AMP,863755-1) DATE CODE	-	863755-1
AMP INFO		PART NO.
MARKING		

DO NOT SCALE PRINT. UNLESS SPECIFIED DIMENSIONS IN INCHES [mm] TOLERANCES ON: 2 PLC DEC ± .02 (0.5) 3 PLC DEC ± .010 (0.25) ANGLES ± -	DR 11-19-96 C.C.THOMAS CHK 11-26-96 C.SHELLY APPD 11-26-96 C.SHELLY	AMP Incorporated Harrisburg, PA 17105-3608
MATERIAL	RLSE 11-26-96 C.C.THOMAS	
FINISH	APPLICATION SPEC	NAME RCPT KIT, 5 POSN., LGH
WEIGHT	SIZE C 00779	CAGE CODE C=863755
	SCALE 2:1	DRAWING NO C=863755
		SHEET 1 OF 1

THIS DRAWING IS A CONTROLLED DOCUMENT FOR AMP INCORPORATED. IT IS SUBJECT TO CHANGE AND THE CONTROLLING ENGINEERING ORGANIZATION SHOULD BE CONTACTED FOR THE LATEST REVISION.

CUSTOMER DRAWING

AMP 1471-6 REV 3-92
30-52P-98 11-25-92 amp/302 Psm/amp/302/rtmcd