

4

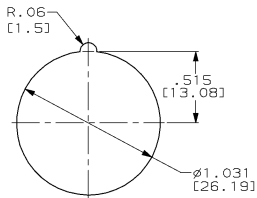
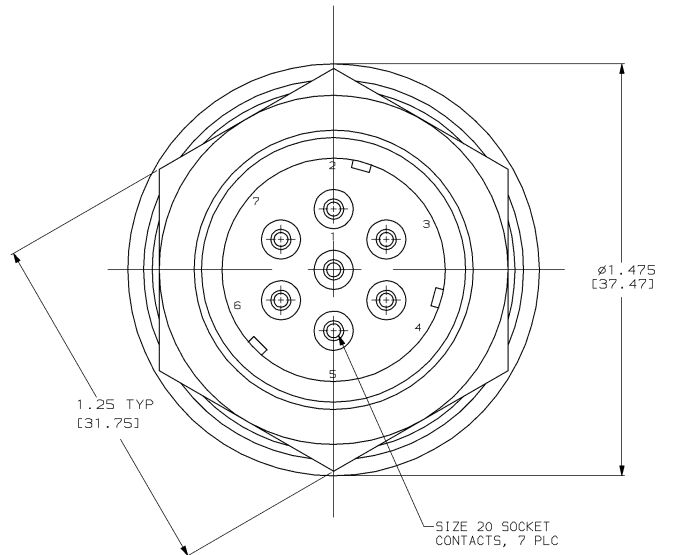
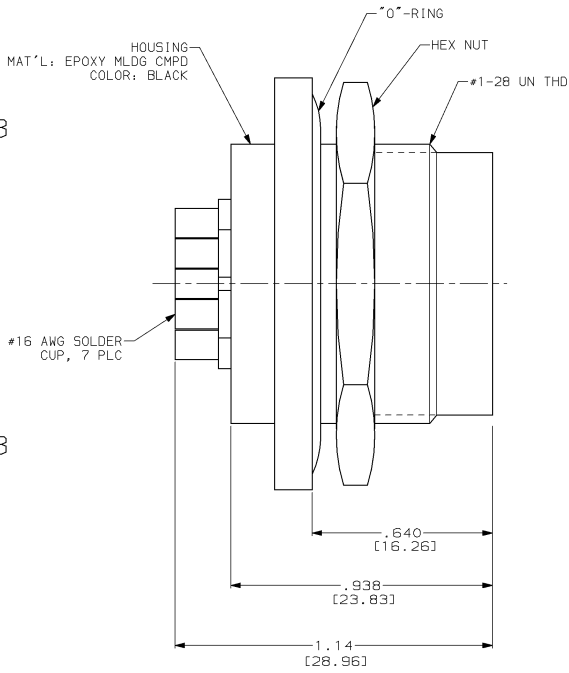
3

2

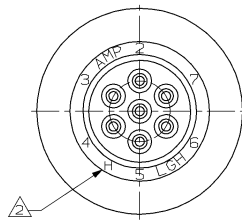
1

THIS DRAWING IS UNPUBLISHED. RELEASED FOR PUBLICATION
 © COPYRIGHT 19 BY AMP INCORPORATED. ALL RIGHTS RESERVED.

LOC		DISTR		REVISIONS			
DF	SO	F	LWR	DESCRIPTION	DATE	OWN	APPD
		B		REDRAWN PER 0600-6253-97	CT	7-97	CT SG



RECOMMENDED PANEL CUTOUT
 SCALE 2:1
 MAX PANEL THICKNESS: .125 [3.18]



1. MARKED PER MIL-STD-130.
 HERMETIC SEAL IDENTIFICATION CODE.

862794-1
 PART NUMBER

THIS DRAWING IS A CONTROLLED DOCUMENT.		DN C. C. THOMAS 7-18-97	AMP Incorporated Harrisburg, PA 17105-3608
DIMENSIONS: INCHES (mm)	DESIGNER'S SPECIFIED	CHK S. SLATER/ELTER 9-4-97	NAME S. SLATER/ELTER 9-4-97
9 PLC ±.01	±.01 (0.31)	APPRO S. SLATER/ELTER 9-4-97	7 PIN MINIATURE RCPT KIT, LGH HERMETICALLY SEALED
10 PLC ±.010 (0.25)	±.010 (0.25)	APPRO S. SLATER/ELTER 9-4-97	SIZE A2
11 PLC ±.015 (0.38)	±.015 (0.38)	APPRO S. SLATER/ELTER 9-4-97	SCALE CODE 00779
12 PLC ±.020 (0.51)	±.020 (0.51)	APPRO S. SLATER/ELTER 9-4-97	DRAWING NO 862794
13 PLC ±.025 (0.64)	±.025 (0.64)	APPRO S. SLATER/ELTER 9-4-97	SCALE 4:1
14 PLC ±.030 (0.76)	±.030 (0.76)	APPRO S. SLATER/ELTER 9-4-97	SHEET 1 OF 1
15 PLC ±.035 (0.89)	±.035 (0.89)	APPRO S. SLATER/ELTER 9-4-97	REV B
16 PLC ±.040 (1.02)	±.040 (1.02)	APPRO S. SLATER/ELTER 9-4-97	
17 PLC ±.045 (1.14)	±.045 (1.14)	APPRO S. SLATER/ELTER 9-4-97	
18 PLC ±.050 (1.27)	±.050 (1.27)	APPRO S. SLATER/ELTER 9-4-97	
19 PLC ±.055 (1.40)	±.055 (1.40)	APPRO S. SLATER/ELTER 9-4-97	
20 PLC ±.060 (1.52)	±.060 (1.52)	APPRO S. SLATER/ELTER 9-4-97	
21 PLC ±.065 (1.65)	±.065 (1.65)	APPRO S. SLATER/ELTER 9-4-97	
22 PLC ±.070 (1.78)	±.070 (1.78)	APPRO S. SLATER/ELTER 9-4-97	
23 PLC ±.075 (1.91)	±.075 (1.91)	APPRO S. SLATER/ELTER 9-4-97	
24 PLC ±.080 (2.03)	±.080 (2.03)	APPRO S. SLATER/ELTER 9-4-97	
25 PLC ±.085 (2.16)	±.085 (2.16)	APPRO S. SLATER/ELTER 9-4-97	
26 PLC ±.090 (2.29)	±.090 (2.29)	APPRO S. SLATER/ELTER 9-4-97	
27 PLC ±.095 (2.41)	±.095 (2.41)	APPRO S. SLATER/ELTER 9-4-97	
28 PLC ±.100 (2.54)	±.100 (2.54)	APPRO S. SLATER/ELTER 9-4-97	
29 PLC ±.105 (2.67)	±.105 (2.67)	APPRO S. SLATER/ELTER 9-4-97	
30 PLC ±.110 (2.80)	±.110 (2.80)	APPRO S. SLATER/ELTER 9-4-97	
31 PLC ±.115 (2.93)	±.115 (2.93)	APPRO S. SLATER/ELTER 9-4-97	
32 PLC ±.120 (3.05)	±.120 (3.05)	APPRO S. SLATER/ELTER 9-4-97	
33 PLC ±.125 (3.18)	±.125 (3.18)	APPRO S. SLATER/ELTER 9-4-97	
34 PLC ±.130 (3.30)	±.130 (3.30)	APPRO S. SLATER/ELTER 9-4-97	
35 PLC ±.135 (3.43)	±.135 (3.43)	APPRO S. SLATER/ELTER 9-4-97	
36 PLC ±.140 (3.55)	±.140 (3.55)	APPRO S. SLATER/ELTER 9-4-97	
37 PLC ±.145 (3.68)	±.145 (3.68)	APPRO S. SLATER/ELTER 9-4-97	
38 PLC ±.150 (3.81)	±.150 (3.81)	APPRO S. SLATER/ELTER 9-4-97	
39 PLC ±.155 (3.94)	±.155 (3.94)	APPRO S. SLATER/ELTER 9-4-97	
40 PLC ±.160 (4.06)	±.160 (4.06)	APPRO S. SLATER/ELTER 9-4-97	
41 PLC ±.165 (4.19)	±.165 (4.19)	APPRO S. SLATER/ELTER 9-4-97	
42 PLC ±.170 (4.32)	±.170 (4.32)	APPRO S. SLATER/ELTER 9-4-97	
43 PLC ±.175 (4.44)	±.175 (4.44)	APPRO S. SLATER/ELTER 9-4-97	
44 PLC ±.180 (4.57)	±.180 (4.57)	APPRO S. SLATER/ELTER 9-4-97	
45 PLC ±.185 (4.70)	±.185 (4.70)	APPRO S. SLATER/ELTER 9-4-97	
46 PLC ±.190 (4.83)	±.190 (4.83)	APPRO S. SLATER/ELTER 9-4-97	
47 PLC ±.195 (4.95)	±.195 (4.95)	APPRO S. SLATER/ELTER 9-4-97	
48 PLC ±.200 (5.08)	±.200 (5.08)	APPRO S. SLATER/ELTER 9-4-97	
49 PLC ±.205 (5.21)	±.205 (5.21)	APPRO S. SLATER/ELTER 9-4-97	
50 PLC ±.210 (5.33)	±.210 (5.33)	APPRO S. SLATER/ELTER 9-4-97	
51 PLC ±.215 (5.46)	±.215 (5.46)	APPRO S. SLATER/ELTER 9-4-97	
52 PLC ±.220 (5.59)	±.220 (5.59)	APPRO S. SLATER/ELTER 9-4-97	
53 PLC ±.225 (5.71)	±.225 (5.71)	APPRO S. SLATER/ELTER 9-4-97	
54 PLC ±.230 (5.84)	±.230 (5.84)	APPRO S. SLATER/ELTER 9-4-97	
55 PLC ±.235 (5.97)	±.235 (5.97)	APPRO S. SLATER/ELTER 9-4-97	
56 PLC ±.240 (6.10)	±.240 (6.10)	APPRO S. SLATER/ELTER 9-4-97	
57 PLC ±.245 (6.23)	±.245 (6.23)	APPRO S. SLATER/ELTER 9-4-97	
58 PLC ±.250 (6.35)	±.250 (6.35)	APPRO S. SLATER/ELTER 9-4-97	
59 PLC ±.255 (6.48)	±.255 (6.48)	APPRO S. SLATER/ELTER 9-4-97	
60 PLC ±.260 (6.60)	±.260 (6.60)	APPRO S. SLATER/ELTER 9-4-97	
61 PLC ±.265 (6.73)	±.265 (6.73)	APPRO S. SLATER/ELTER 9-4-97	
62 PLC ±.270 (6.86)	±.270 (6.86)	APPRO S. SLATER/ELTER 9-4-97	
63 PLC ±.275 (6.99)	±.275 (6.99)	APPRO S. SLATER/ELTER 9-4-97	
64 PLC ±.280 (7.12)	±.280 (7.12)	APPRO S. SLATER/ELTER 9-4-97	
65 PLC ±.285 (7.25)	±.285 (7.25)	APPRO S. SLATER/ELTER 9-4-97	
66 PLC ±.290 (7.38)	±.290 (7.38)	APPRO S. SLATER/ELTER 9-4-97	
67 PLC ±.295 (7.50)	±.295 (7.50)	APPRO S. SLATER/ELTER 9-4-97	
68 PLC ±.300 (7.62)	±.300 (7.62)	APPRO S. SLATER/ELTER 9-4-97	
69 PLC ±.305 (7.75)	±.305 (7.75)	APPRO S. SLATER/ELTER 9-4-97	
70 PLC ±.310 (7.87)	±.310 (7.87)	APPRO S. SLATER/ELTER 9-4-97	
71 PLC ±.315 (8.00)	±.315 (8.00)	APPRO S. SLATER/ELTER 9-4-97	
72 PLC ±.320 (8.13)	±.320 (8.13)	APPRO S. SLATER/ELTER 9-4-97	
73 PLC ±.325 (8.25)	±.325 (8.25)	APPRO S. SLATER/ELTER 9-4-97	
74 PLC ±.330 (8.38)	±.330 (8.38)	APPRO S. SLATER/ELTER 9-4-97	
75 PLC ±.335 (8.51)	±.335 (8.51)	APPRO S. SLATER/ELTER 9-4-97	
76 PLC ±.340 (8.64)	±.340 (8.64)	APPRO S. SLATER/ELTER 9-4-97	
77 PLC ±.345 (8.76)	±.345 (8.76)	APPRO S. SLATER/ELTER 9-4-97	
78 PLC ±.350 (8.89)	±.350 (8.89)	APPRO S. SLATER/ELTER 9-4-97	
79 PLC ±.355 (9.02)	±.355 (9.02)	APPRO S. SLATER/ELTER 9-4-97	
80 PLC ±.360 (9.14)	±.360 (9.14)	APPRO S. SLATER/ELTER 9-4-97	
81 PLC ±.365 (9.27)	±.365 (9.27)	APPRO S. SLATER/ELTER 9-4-97	
82 PLC ±.370 (9.40)	±.370 (9.40)	APPRO S. SLATER/ELTER 9-4-97	
83 PLC ±.375 (9.53)	±.375 (9.53)	APPRO S. SLATER/ELTER 9-4-97	
84 PLC ±.380 (9.65)	±.380 (9.65)	APPRO S. SLATER/ELTER 9-4-97	
85 PLC ±.385 (9.78)	±.385 (9.78)	APPRO S. SLATER/ELTER 9-4-97	
86 PLC ±.390 (9.91)	±.390 (9.91)	APPRO S. SLATER/ELTER 9-4-97	
87 PLC ±.395 (10.04)	±.395 (10.04)	APPRO S. SLATER/ELTER 9-4-97	
88 PLC ±.400 (10.17)	±.400 (10.17)	APPRO S. SLATER/ELTER 9-4-97	
89 PLC ±.405 (10.29)	±.405 (10.29)	APPRO S. SLATER/ELTER 9-4-97	
90 PLC ±.410 (10.42)	±.410 (10.42)	APPRO S. SLATER/ELTER 9-4-97	
91 PLC ±.415 (10.55)	±.415 (10.55)	APPRO S. SLATER/ELTER 9-4-97	
92 PLC ±.420 (10.67)	±.420 (10.67)	APPRO S. SLATER/ELTER 9-4-97	
93 PLC ±.425 (10.80)	±.425 (10.80)	APPRO S. SLATER/ELTER 9-4-97	
94 PLC ±.430 (10.93)	±.430 (10.93)	APPRO S. SLATER/ELTER 9-4-97	
95 PLC ±.435 (11.06)	±.435 (11.06)	APPRO S. SLATER/ELTER 9-4-97	
96 PLC ±.440 (11.18)	±.440 (11.18)	APPRO S. SLATER/ELTER 9-4-97	
97 PLC ±.445 (11.31)	±.445 (11.31)	APPRO S. SLATER/ELTER 9-4-97	
98 PLC ±.450 (11.43)	±.450 (11.43)	APPRO S. SLATER/ELTER 9-4-97	
99 PLC ±.455 (11.56)	±.455 (11.56)	APPRO S. SLATER/ELTER 9-4-97	
100 PLC ±.460 (11.69)	±.460 (11.69)	APPRO S. SLATER/ELTER 9-4-97	

862794
 B

A