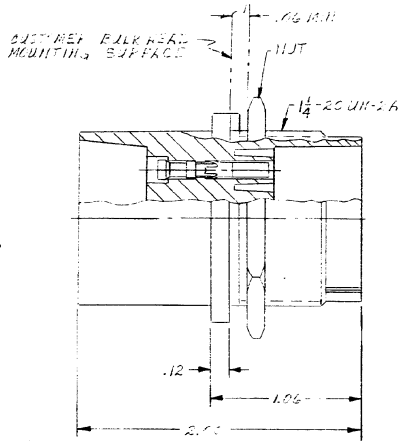


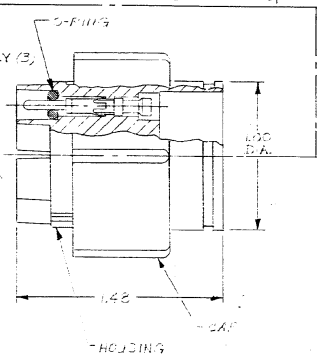
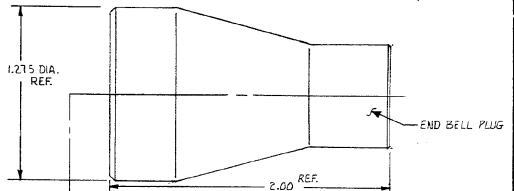
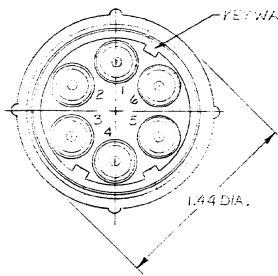
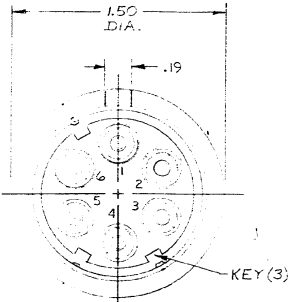
© COPYRIGHT 1976 BY AMP INCORPORATED, HARRISBURG, PA. ALL INTERNATIONAL RIGHTS RESERVED.

THIS DRAWING AND ALL OF THE INFORMATION HEREON IS THE PROPERTY OF AMP INCORPORATED. NO PART OF THIS DRAWING IS TO BE REPRODUCED OR TRANSMITTED IN ANY FORM OR BY ANY MEANS, ELECTRONIC OR MECHANICAL, INCLUDING PHOTOCOPYING, RECORDING, OR BY ANY INFORMATION STORAGE AND RETRIEVAL SYSTEM, WITHOUT THE WRITTEN PERMISSION OF AMP INCORPORATED.

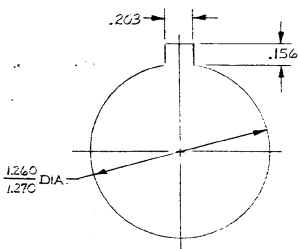
REVISIONS				DATE	APPROVED
P/F	ZONE	LTR	DESCRIPTION		
1	A		RECEPTACLE WIRE CONNECTIONS	04/22/76	WJS
2	B		REV. 861033	07/17/77	WJS



RECEPTACLE  
855527



PLUG  
863023



RECOMMENDED PANEL CUTOUT

AMP P/N	ROPT.	PLUG	WIRE SIZE RANGE	HAND TOOL
863018-1	855527-4	863023-1	20, 22, 24	45055
863018-2	855527-5	863023-2	16, 18	45098
863018-3	855527-6	863023-3	14	45098

5. TYPE II PINS & SOCKETS TO ACCEPT GAGE C14 AMMS STRANDED WIRE.

- NOTE
1. 16 GA PINS & SOCKETS GOLD PLATED PER MIL-G-45204 TYPE II .00005 MIN THK.
  2. TYPE II PINS & SOCKETS TO ACCEPT ONE (1) BE AWG. (18, 20 AWG, 22, 24, 26, 28, 30, 32, 34, 36, 40, 44, 48, 50, 56, 60, 64, 70, 76, 80, 86, 90, 96, 100, 108, 114, 120, 126, 132, 138, 144, 150, 156, 162, 168, 174, 180, 186, 192, 198, 204, 210, 216, 222, 228, 234, 240, 246, 252, 258, 264, 270, 276, 282, 288, 294, 300, 306, 312, 318, 324, 330, 336, 342, 348, 354, 360, 366, 372, 378, 384, 390, 396, 402, 408, 414, 420, 426, 432, 438, 444, 450, 456, 462, 468, 474, 480, 486, 492, 498, 504, 510, 516, 522, 528, 534, 540, 546, 552, 558, 564, 570, 576, 582, 588, 594, 600, 606, 612, 618, 624, 630, 636, 642, 648, 654, 660, 666, 672, 678, 684, 690, 696, 702, 708, 714, 720, 726, 732, 738, 744, 750, 756, 762, 768, 774, 780, 786, 792, 798, 804, 810, 816, 822, 828, 834, 840, 846, 852, 858, 864, 870, 876, 882, 888, 894, 900, 906, 912, 918, 924, 930, 936, 942, 948, 954, 960, 966, 972, 978, 984, 990, 996, 1000).
  3. TYPE II PINS & SOCKETS TO ACCEPT ONE (1) BE AWG. (18, 20 AWG, 22, 24, 26, 28, 30, 32, 34, 36, 40, 44, 48, 50, 56, 60, 64, 70, 76, 80, 86, 90, 96, 100, 108, 114, 120, 126, 132, 138, 144, 150, 156, 162, 168, 174, 180, 186, 192, 198, 204, 210, 216, 222, 228, 234, 240, 246, 252, 258, 264, 270, 276, 282, 288, 294, 300, 306, 312, 318, 324, 330, 336, 342, 348, 354, 360, 366, 372, 378, 384, 390, 396, 402, 408, 414, 420, 426, 432, 438, 444, 450, 456, 462, 468, 474, 480, 486, 492, 498, 504, 510, 516, 522, 528, 534, 540, 546, 552, 558, 564, 570, 576, 582, 588, 594, 600, 606, 612, 618, 624, 630, 636, 642, 648, 654, 660, 666, 672, 678, 684, 690, 696, 702, 708, 714, 720, 726, 732, 738, 744, 750, 756, 762, 768, 774, 780, 786, 792, 798, 804, 810, 816, 822, 828, 834, 840, 846, 852, 858, 864, 870, 876, 882, 888, 894, 900, 906, 912, 918, 924, 930, 936, 942, 948, 954, 960, 966, 972, 978, 984, 990, 996, 1000).
  4. PINS & SOCKETS SUPPLIED SEPARATELY IN A PLASTIC BAG.

QTY REQD	QTY REQD	ITEM NO.	QNG SIZE	PART OR IDENTIFYING NO.	NOMENCLATURE OR DESCRIPTION	SYMBOL
-2	-1				PARTS LIST	
CONTRACT NO.					AMP INCORPORATED	
DR DICK, STONE 3-1-76					CAPTRON DIVISION	
CHK					ELIZABETHTOWN, PENNSYLVANIA	
MATERIAL:					NAME	
MOLDED PLASTIC					6 PIN PLUG & RECEPTACLE KIT	
APPRO APPD					LGH	
FINISH:					SIZE CODE IDENT NO. NUMBER	
BLACK					C 00779 863018	
NEXT ASSY					SCALE 2-1	
QTY REQD					SHEET 701	