

4

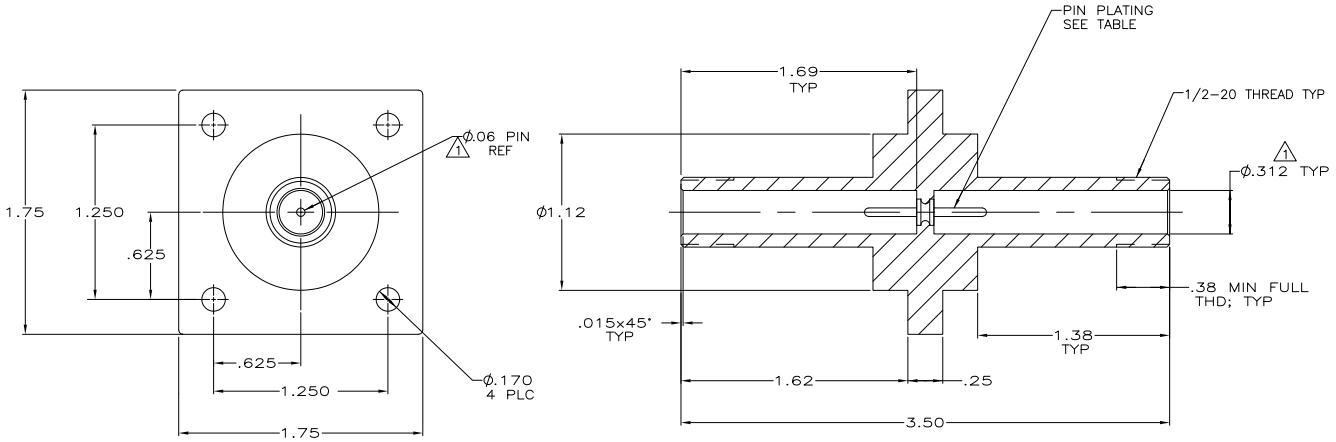
3

2

1

THIS DRAWING IS UNPUBLISHED. RELEASED FOR PUBLICATION
 © COPYRIGHT BY TYCO ELECTRONICS CORPORATION. ALL INTERNATIONAL RIGHTS RESERVED.

LOC	DIST	REVISIONS				
DF	SO	P	LR	DATE	MIN	APD
		F		REVISED PER ECO-10-025046	23DEC10	SK DE



- △ DIAMETERS TO BE CONCENTRIC WITHIN .015 T.I.R.
 2. RECEPTACLE WILL MATE WITH AMP-1L LEAD ASSEMBLY. AVAILABLE SEPARATELY.

GOLD PLATED CENTER PIN	858873-2
TIN PLATED CENTER PIN	858873-1
PIN FINISH	PART NUMBER

THIS DRAWING IS A CONTROLLED DOCUMENT.		DR C. C. THOMAS 2-11-03	Tyco Electronics Corporation Harrisburg, PA 17105-3608
DIMENSIONS: INCHES		OK D. LEARY 2-11-03	
OTHER DIMENSIONS: MILLIMETERS		APD D. LEARY 2-11-03	NAME
MATERIAL: MOLDED GLASS EPOXY		FINISH: BLACK	RECEPTACLE ASSY, FEED-THRU, LGH-1L
FINISH		APPLICATION SPEC	SIZE CASE CODE DRAWING NO
		WEIGHT	A2 00779 C-858873
		CUSTOMER DRAWING	RESTRICTED TO
		SCALE: 2:1	SHEET 1 of 1 REV F

1471-9 (1/08)

us016412 H:\docmod\858873_1_c.dwg