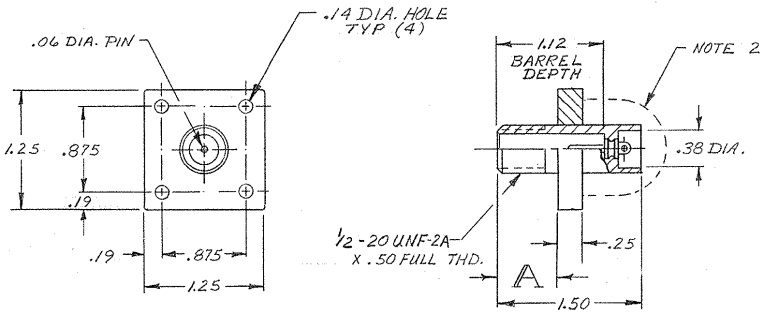


DRAWING MADE IN AMERICAN PROJECTION

©1969 BY AMP INCORPORATED, ALL RIGHTS RESERVED. AMP PRODUCTS COVERED BY PATENTS AND/OR PATENTS PENDING.

THIS PRODUCT DESIGNED AND BUILT BY AMP INCORPORATED. NO LICENSE TO USE THAT DESIGN IN MANUFACTURE, OR TO USE ANY ISSUED OR PENDING PATENTS WHICH ARE INVOLVED, IS IMPLIED.

REVISIONS				
ZONE	LTR	DESCRIPTION	DATE	APPROVED
A		REV. POSITION OF $\bar{A}$ DIM (EON 414)	01/15/73	RE [Signature]
B		REV. PER E.C.N 8678	AG 3-1-79	M [Signature]
C		OBS-RECORD 6976	2/2-89	TW [Signature]
D		REV PER OHM-0192-DS	1-06	PY



NOTE:  
 1. RECEPTACLE TO MATE WITH AMP LGH-1 LEAD ASSEMBLY, AVAILABLE SEPARATELY.  
 2. CUSTOMER MUST PROTECT THE RECEPTACLES BACK END AGAINST ARC OVER & BREAKDOWN.

PART NO.	"A"	TERMINAL PLATING			
		TIN-LEAD	GOLD	TIN	
849611-1	.63	X			
849611-2	.63		X		OBSOLETE
5-849611-1	.63			X	

ITEM NO.	DWG SIZE	PART OR IDENTIFYING NO.	NOMENCLATURE OR DESCRIPTION	SYMBOL
PARTS LIST				
			AMP INCORPORATED CAPITRON DIVISION ELIZABETHTOWN, PENNSYLVANIA	
			NAME LGH-1 FLANGED RECEPTACLE (FOR BULKHEAD APPLICATION)	
			CONTRACT NO. DR 4-17-69	
			MATERIAL: GLASS EPOXY MOLDED	
			FINISH: BLACK	
			SIZE B	
			CODE IDENT NO. 849611	
			NUMBER 849611	
			SCALE 1/4" = 1"	
			WT .10	
			SHEET 1 OF 1	