

4

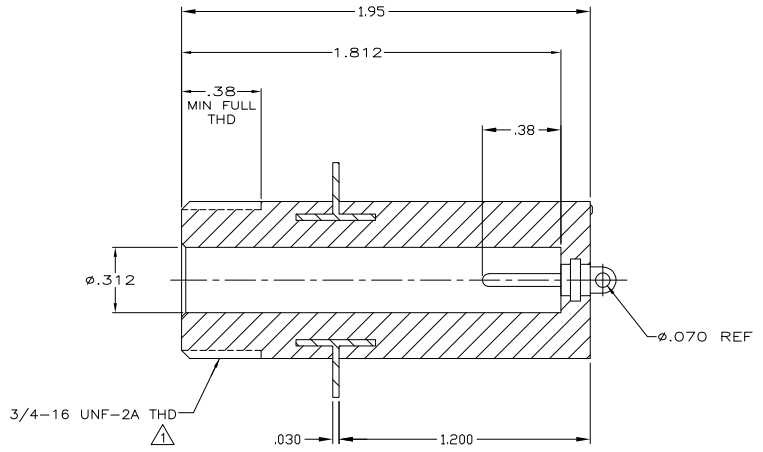
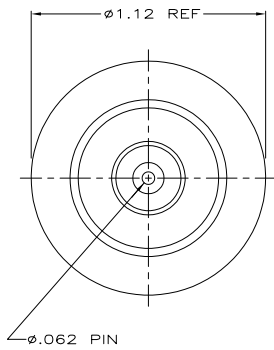
3

2

1

THIS DRAWING IS UNPUBLISHED. RELEASED FOR PUBLICATION
 © COPYRIGHT BY TYCO ELECTRONICS CORPORATION. ALL RIGHTS RESERVED.

LOC	DIST	REVISIONS					
DF	SO	P	LYR	DESCRIPTION	DATE	MIN	APPO
		F		REV PER EDD 06-16414	7-14-06	CT	DE



- △ SCREW THREAD MEASUREMENT IN ACCORDANCE WITH H28 HANDBOOK (3 WIRE METHOD) USING WIRE .03608 DIA MEASUREMENT OVER WIRE SHALL BE .7654/.7474
- 2. THIS RECEPTACLE IS HERMETICALLY SEALED.
- 3. MARKED PER MIL-STD-130.

TIN PLATED	5-861257-1
TIN-LEAD PLATED	861257-1
PIN & FLANGE FINISH	PART NO.

THIS DRAWING IS A CONTROLLED DOCUMENT.		DR. C. THOMAS	7-14-06	Tyco Electronics Corporation Harrisburg, PA 17105-3608
DIMENSIONS: INCHES		OK. D. EARY	7-14-06	
OTHER DIMENSIONS: MILLIMETERS		APPRO. D. EARY	7-14-06	NAME
0 PLC ± .010 1 PLC ± .005 2 PLC ± .011 3 PLC ± .005 4 PLC ± .010 ANGLES ± .1°		PRODUCT SPEC		FLANGED RECEPTACLE, LGH-3
MATERIAL: MOULDED GLASS EPOXY		APPLICATION SPEC		SIZE
FINISH: SEE TABLE		WEIGHT		00779
		CUSTOMER DRAWING		861257
				RESTRICTED TO
				SCALE: 3:1
				SHEET: 1 of 1
				REV: F

AMP 1471-9 REV 31MM2000

14JUL2006 2:27pm us016412 H:\docmod\861257_1_c.dwg