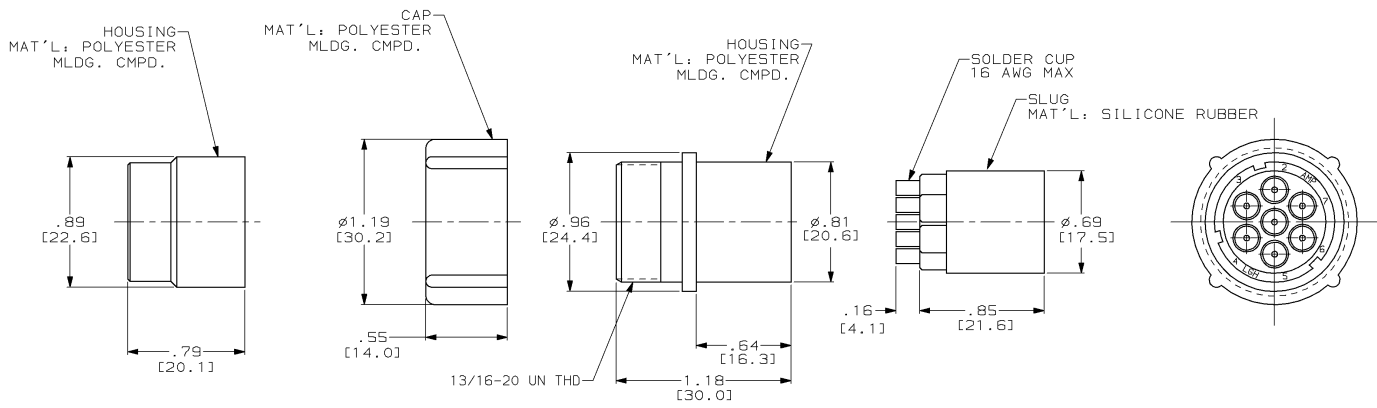


DRAWING MADE IN THIRD ANGLE PROJECTION  
 THIS DRAWING IS UNPUBLISHED. RELEASED FOR PUBLICATION  
 © COPYRIGHT 19 BY AMP INCORPORATED. ALL INTERNATIONAL RIGHTS RESERVED.

REVISIONS										
PROD CODE	LOC	DIST	P	F	ZONE	LTR	DESCRIPTION	DATE	APPD	
4061	DF	50					A REV & REDRAWN PER 0600-6253-97	CT	7-97	SG



865594-1  
 PART NUMBER

DO NOT SCALE PRINT. UNLESS SPECIFIED DIMENSIONS IN INCHES [mm] TOLERANCES ON: 2 PLC DEC ± .03 [0.8] 3 PLC DEC ± .015 [0.38] ANGLES ± -	DR 7-18-97 C.C. THOMAS	AMP INCORPORATED <small>Hamden, Pa. 17105</small>	
	CHK 9-4-97 S. GLATFELTER		
MATERIAL SEE CALLOUTS	APPD 9-4-97 S. GLATFELTER	PLUG KIT, 7 PIN MINIATURE, LGH	
FINISH -	RLSE 9-4-97 C.C. THOMAS	SIZE <b>C</b>	FSCM NO 00779
WEIGHT -	APPLICATION SPEC -	DRAWING NO 865594	SHEET 1 OF 1
		SCALE 2:1	

CUSTOMER DRAWING