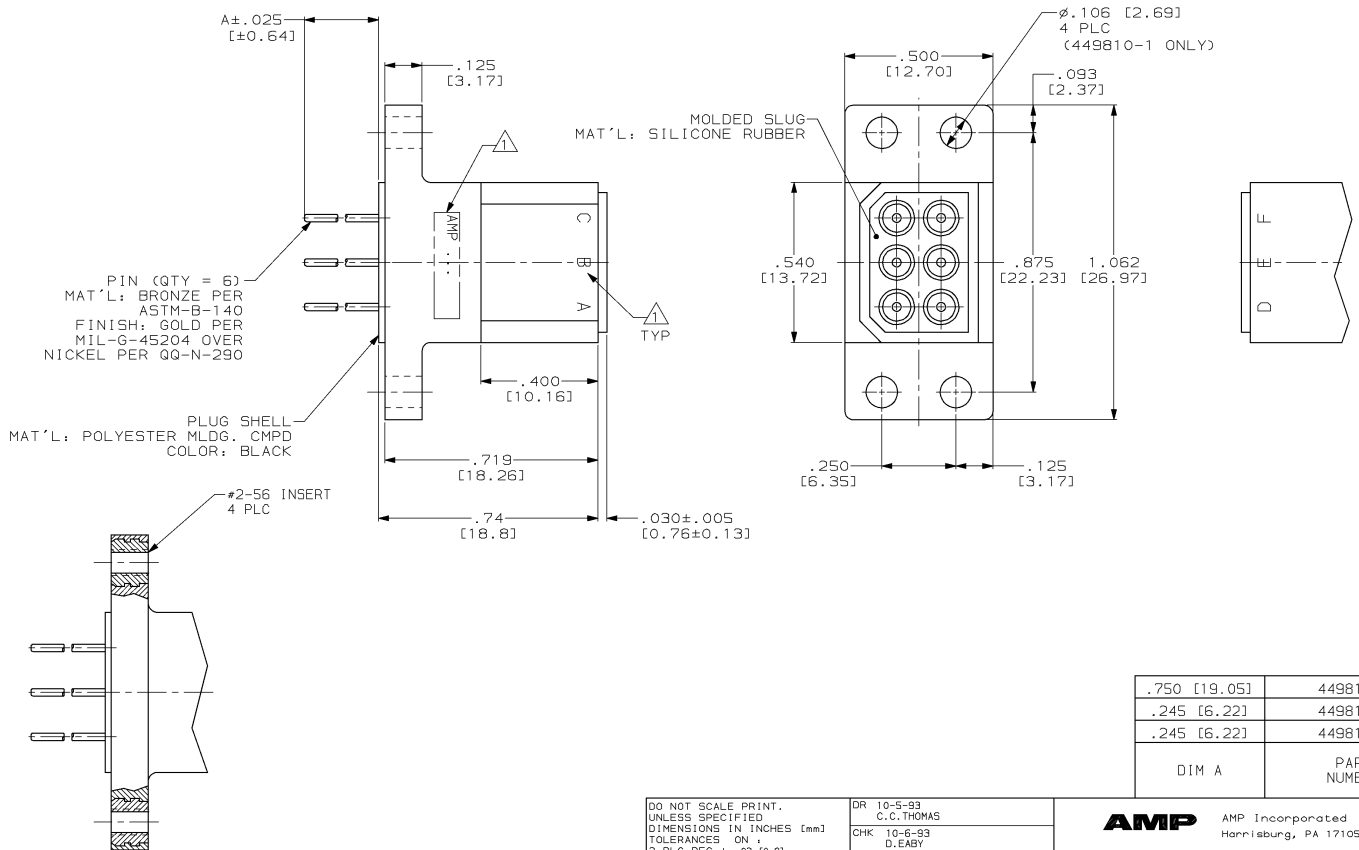


DRAWING MADE IN THIRD ANGLE PROJECTION  
 THIS DRAWING IS UNPUBLISHED. RELEASED FOR PUBLICATION  
 © COPYRIGHT 19 BY AMP INCORPORATED. ALL INTERNATIONAL RIGHTS RESERVED.

REVISIONS									
PROJ	LOC	DIST	P	F	ZONE	LTR	DESCRIPTION	DATE	APPD
4081	DF	50					C ADD -3 PER 0600-7473-98	CT 5-98	DE

⚠ CAVITY I.D. & AMP INFO. MARKED PER MIL-STD-130.



-2 & -3 ONLY

.750 [19.05]	449810-3
.245 [6.22]	449810-2
.245 [6.22]	449810-1
DIM A	PART NUMBER

DO NOT SCALE PRINT. UNLESS SPECIFIED DIMENSIONS IN INCHES [mm] TOLERANCES ON: 2 PLC DEC ±.03 [0.8] 3 PLC DEC ±.010 [0.25] ANGLES ± -	DR 10-5-93 C.C. THOMAS CHK 10-6-93 D.EABY APPD 10-6-93 D.EABY APPD 10-6-93 C. THOMAS	<b>AMP</b> AMP Incorporated Harrisburg, PA 17105-3608	
MATERIAL SEE CALLOUTS	PRODUCT SPEC -	NAME PLUG ASSY WITH ∅.025 POSTS, LGH	
FINISH SEE CALLOUTS	APPLICATION SPEC -	SIZE C 00779	DRAWING NO 449810
WEIGHT -		SCALE 4:1	SHEET 1 OF 1

CUSTOMER DRAWING

AMP 1471-6 REV 9-89

449810