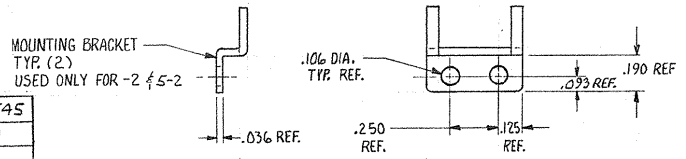
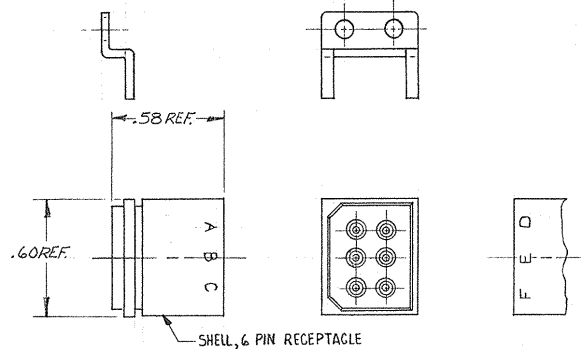
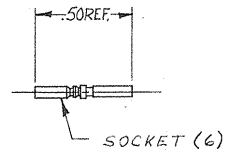
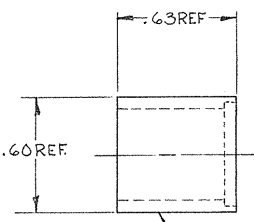


DRAWING MADE IN THIRD ANGLE PROJECTION

© COPYRIGHT 1974 BY AMP INCORPORATED, HARRISBURG, PA. ALL INTERNATIONAL RIGHTS RESERVED. AMP INCORPORATED PRODUCTS COVERED BY U.S. AND FOREIGN PATENTS AND/OR PATENTS PENDING.

REV L 37

REVISIONS						
P	F	ZONE	LTR	DESCRIPTION	DATE	APPROVED
			B	REV. & REDRAWN	CX 5-8-74	[Signature]
			G	ADDED -2	D.S. 2-27-75	[Signature]
			D	REV PER DH14-0192-05	1-06	PY



PART NO.	DESCRIPTION
5-861393-2	WITH MOUNTING BRACKETS TIN PLATED PER ASTM-B-545
861393-2	WITH MOUNTING BRACKETS 93/7 TIN-LEAD PLATED
861393-1	W/O MOUNTING BRACKETS

1. CAVITY LETTERS MARKED IN WHITE INK.
2. SEE 862091-1 FOR ASS'Y INSTRUCTIONS.

NEXT ASSY	FINAL ASSY	NEXT ASSY	USED ON

UNLESS OTHERWISE SPECIFIED DIMENSIONS ARE IN INCHES. TOLERANCES: .00 ± .000 ±		CONTRACT NO DR. KUSTER 5-8-74
MATERIAL	CHK	APPD 5-9-74
FINISH	DESIGN APPD	APPD
	OTHER APPD	

AMP INCORPORATED Elizabethtown, Pa.		
NAME RECEPTACLE ASS'Y KIT LGH		
SIZE B	CODE IDENT NO 00779	NUMBER 861393
SCALE 2:1	WT	SHEET 1 OF 1

AMP 1470-14 (1-73)

CUSTOMER DRAWING