

4

3

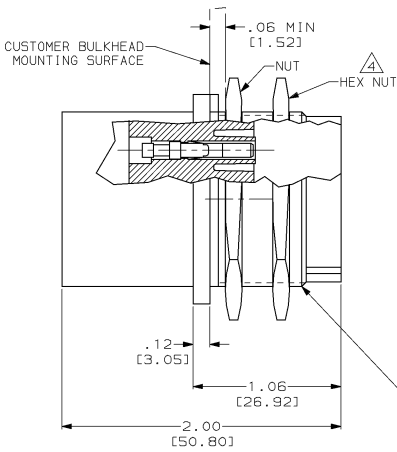
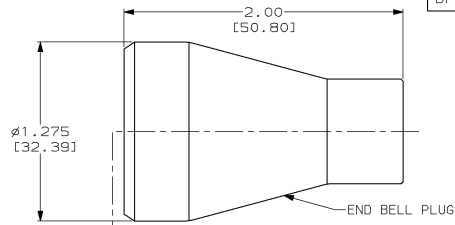
2

1

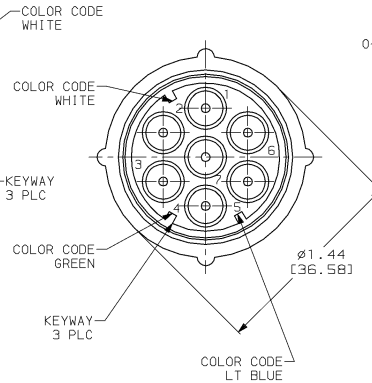
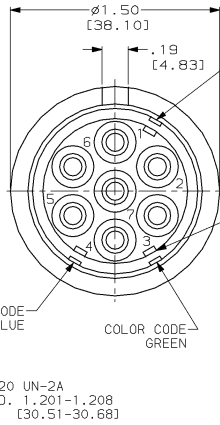
THIS DRAWING IS UNPUBLISHED.
 RELEASED FOR PUBLICATION
 BY AMP INCORPORATED. ALL RIGHTS RESERVED.

LOC	QTY	REV	PER	DATE	BY	APPV
DF	SO					
		H	REV PER 0600-4687-95	10-95	CT	CS

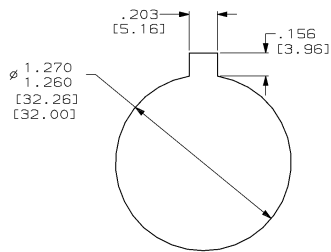
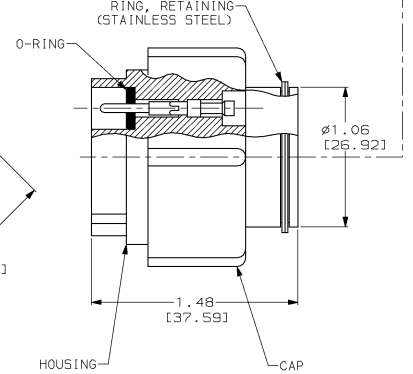
- 1 TYPE 11 PINS & SOCKETS TO ACCEPT ONE #20 AWG, ONE #22 AWG, OR ONE #24 AWG STRANDED WIRE.
- 2 TYPE 11 PINS & SOCKETS TO ACCEPT ONE #16 AWG, ONE #18 AWG STRANDED WIRE.
- 3 TYPE 11 PINS & SOCKETS TO ACCEPT ONE #14 AWG, STRANDED WIRE.
- 4 SECOND HEX NUT IS SUPPLIED WITH -8 & -9 ONLY.



RECEPTACLE



PLUG



RECOMMENDED PANEL CUTOUT

REMARKS	COLOR CODE	HAND TOOL	WIRE SIZE RANGE	PLUG	RECEPTACLE	PART NUMBER
NO	NO	45098	16, 18	863024-2	861647-8	863019-9
NO	NO	45099	20, 22, 24	863024-1	861647-7	863019-8
OBSOLETE	YES	-	-	863024-8	861647-6	863019-7
OBSOLETE	YES	45098	14	863024-7	861647-5	863019-6
OBSOLETE	YES	45098	16, 18	863024-6	861647-2	863019-5
OBSOLETE	YES	45099	22, 24	863024-5	861647-1	863019-4
NO	NO	45098	14	863024-3	861647-9	863019-3
NO	NO	45098	16, 18	863024-2	861647-8	863019-2
NO	NO	45099	20, 22, 24	863024-1	861647-7	863019-1

THIS DRAWING IS UNPUBLISHED. RELEASED FOR PUBLICATION BY AMP INCORPORATED. ALL RIGHTS RESERVED.

DESIGNER: J. THOMPSON	DATE: 03-08-95	AMP AMP Incorporated Harrisburg, PA 17105-3608
CHK: D. EABY	DATE: 04-19-95	
APPV: D. EABY	DATE: 04-19-95	7 PIN PLUG & RECEPTACLE KIT LGH
PRODUCT SPEC: -	APPLICATION SPEC: -	
MATERIAL: MOLDED PLASTIC	COLOR: BLACK	SIZE: A2
RECORD: -	CUSTOMER DRAWING	SCALE: 2:1
DRAWING NO: 863019		SHEET: 1 OF 1

863019

A