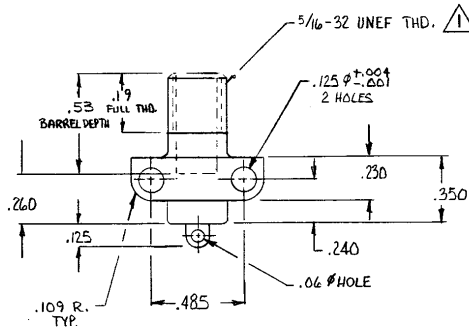
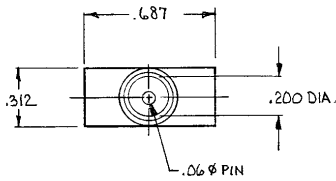


DRAWING MADE IN THIRD ANGLE PROJECTION

© COPYRIGHT 1980 BY AMP INCORPORATED, HARRISBURG, PA. ALL INTERNATIONAL RIGHTS RESERVED. AMP INCORPORATED PRODUCTS COVERED BY U. S. AND FOREIGN PATENTS AND/OR PATENTS PENDING.

REVISIONS						
P	F	ZONE	LTR	DESCRIPTION	DATE	APPROVED
			0	SK-01481-2		
✓		A		REV PER ECN S-3960	4/16/87	RS



△ PER FEDERAL STANDARD H-28 3 WIRE METHOD. DIMENSION OVER WIRES TO BE: .307-.318

866803-1 AS SHOWN

QTY REQD	FINAL ASSY	NEXT ASSY	USED ON

UNLESS OTHERWISE SPECIFIED DIMENSIONS ARE IN INCHES. TOLERANCES: .00 ±.03 .000 ±.010 ANGLES ± MATERIAL FINISH

CONTRACT NO  
 DR *9/3/80*  
 CHK  
 APPD  
 DESIGN APPD  
 OTHER APPD

PART NO  
  
 NAME LGH 1/2 (RECEPTACLE WITH MOUNTING HOLES) LGH  
 SIZE B CODE IDENT NO 00779 DRAWING NO 866803  
 SCALE SHEET 1 OF 1