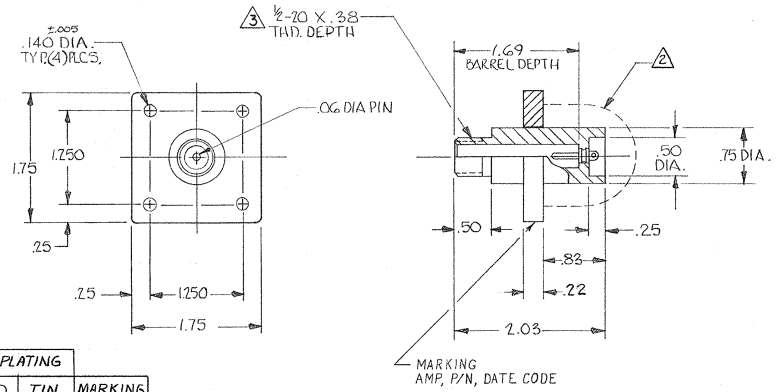


DRAWING MADE IN AMERICAN PROJECTION

© 1977 BY AMP INCORPORATED. ALL RIGHTS RESERVED. AMP PRODUCTS COVERED BY PATENTS AND/OR PATENTS PENDING.

THIS PRODUCT DESIGNED AND BUILT BY AMP INCORPORATED. NO LICENSE TO USE THAT DESIGN IN MANUFACTURE, OR TO USE ANY ISSUED OR PENDING PATENTS WHICH ARE INVOLVED, IS IMPLIED.

REVISIONS				
ZONE	LTR	DESCRIPTION	DATE	APPROVED
C		REVISED DRAWING	BW 11-21-71	[Signature]
D		REV. NOTE 1	UNB 10-17-73	[Signature]
E		.22 WAS .25	11-27-74	[Signature]
F		ADDED MARKING NOTE	KH 8-23-76	[Signature]
G		ADD -3, -4 NPR 16-93	C.D. 1-25-86	[Signature]
H		REV PER ECN S-3960	9/15/87	[Signature]
J		REV PER OH14-0192-05	1-06	PY



1. RECEPTACLE TO MATE WITH AMP LGH-1L LEAD ASSEMBLY. AVAILABLE SEPARATELY.

2. CUSTOMER MUST PROTECT THE RECEPTACLE'S BACK END AGAINST ARC OVER & BREAK-DOWN.

3. PER FEDERAL STANDARD H-28 3 WIRE METHOD. DIMENSION OVER WIRES TO BE .497-.510.

PART NO	TERMINAL PLATING			MARKING
	TIN-LEAD	GOLD	TIN	
846814-1	X	—	—	YES
846814-2	—	X	—	YES
846814-3	X	—	—	NO
846814-4	—	X	—	NO
5-846814-1	—	—	X	YES

QTY REQD	QTY RECD	ITEM NO.	DWG SIZE	PART OR IDENTIFYING NO.	NOMENCLATURE OR DESCRIPTION	SYMBOL
					PARTS LIST	
					UNLESS OTHERWISE SPECIFIED: DIMENSIONS ARE IN INCHES TOLERANCES .00 ± .02 ANGLES ± .000 ± .005	
					MATERIAL: GLASS EPOXY (MOLDED)	
					FINISH: BLACK	
					CONTRACT NO. DR. R.H. STANBAUGH 222-67	
					AMP INCORPORATED CAPITRON DIVISION ELIZABETHTOWN, PENNSYLVANIA	
					NAME LGH-1L FLANGED RECEP. (FOR BULK HEAD APPLICATION) 1.69 BARREL DEPTH	
					APPD J.W.G. 2-22-67	
					DSGN APPD	
					SIZE C CODE IDENT NO. 00779 NUMBER 846814	
					OTHER APPD	
					SCALE WT SHEET 1 OF 1	