

4

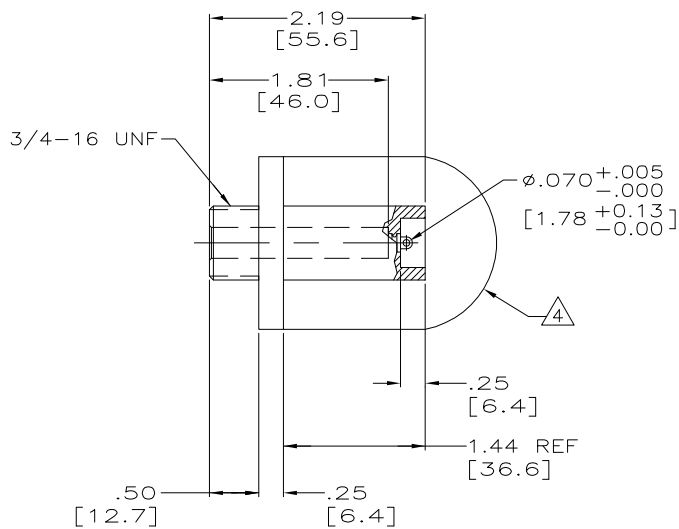
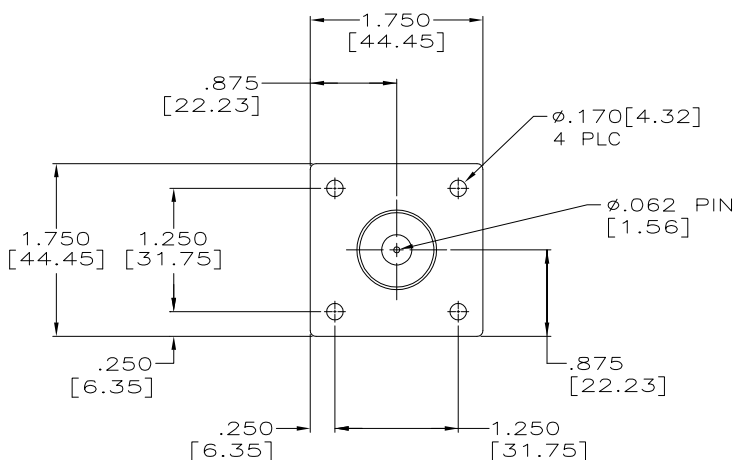
3

2

1

THIS DRAWING IS UNPUBLISHED. RELEASED FOR PUBLICATION - N/A .
 © COPYRIGHT N/A BY TYCO ELECTRONICS CORPORATION. ALL RIGHTS RESERVED.

LOC	DIST	REVISIONS			
P	LTR	DESCRIPTION	DATE	DWN	APVD
J		REV PER 0H14-0191-05	05-05	AA	DE



- 1 PLATED 93/7 TIN-LEAD .0001[0.0025] MIN THK OR TIN PER ASTM-B-545 .0001[0.0025] MIN THK.
- 2 GOLD PLATED .000030[0.00076] MIN THK PER ASTM-B-488, TYPE II.
- 3. RECEPTACLE TO MATE WITH AMP LGH-3 LEAD ASSEMBLY.
- 4 CUSTOMER TO PROTECT BACK END AGAINST ARC OVER & BREAKDOWN.
- 5 PLATED TIN PER ASTM-B-545, TYPE I OR II, .0001[0.0025] MIN THK.

OBSOLETE	5	5-850911-1
	2	850911-2
	1	850911-1
PIN PLATING		PART NUMBER

THIS DRAWING IS A CONTROLLED DOCUMENT.		DWN C.C.THOMAS 20-OCT-98		Tyco Electronics Corporation Harrisburg, Pa 17105-3608	
DIMENSIONS: INCHES		CHK D. EABY 20-OCT-98		NAME	
TOLERANCES UNLESS OTHERWISE SPECIFIED:		APVD D. EABY 20-OCT-98	BULKHEAD RECEPTACLE ASSEMBLY LGH-3		
0 PLC ± -		PRODUCT SPEC	SIZE A3	CAGE CODE 00779	DRAWING NO C-850911
1 PLC ± -		APPLICATION SPEC	RESTRICTED TO		
2 PLC ± .02[0.5]		WEIGHT -	SCALE 1:1 SHEET 1 OF 1 REV J		
3 PLC ± .005[0.13]		CUSTOMER DRAWING			
4 PLC ± -					
ANGLES ± -					
MATERIAL FINISH					
MOLDED GLASS EPOXY					
COLOR: BLACK					

AMP 1470-19 REV 31MAR2000