

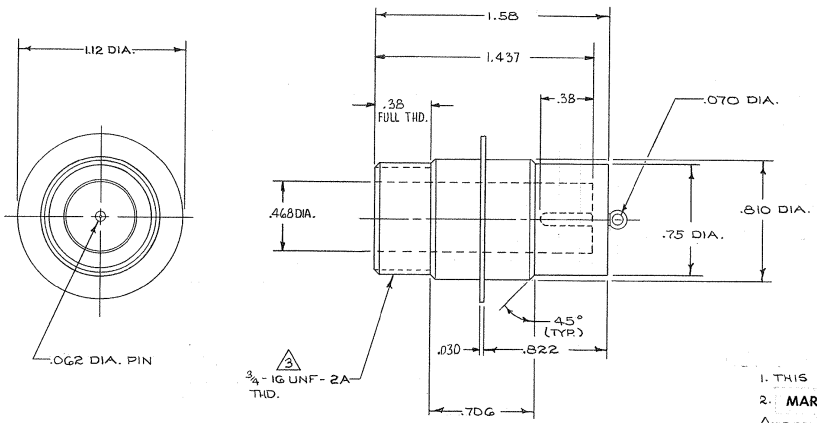
DRAWING MADE IN THIRD ANGLE PROJECTION

© COPYRIGHT 1973 BY AMP INCORPORATED, HARRISBURG, PA. ALL INTERNATIONAL RIGHTS RESERVED. AMP INCORPORATED PRODUCTS COVERED BY U. S. AND FOREIGN PATENTS AND/OR PATENTS PENDING.

Unauthorized copy not without written permission

LOC DIST DF SC

P	F	ZONE	LTR	DESCRIPTION	DATE	APPROVED
		A-1	A	-2 WAS GOLD PLATED FLANGE	7-7-75	M.H.
			B	ADDED .448 DIA. .38 .000, 1.457, ECN 28041, D.S.	5-19-75	M.H.
			C	REMOVED -2 GOLD PIN - TIN FLANGE DS	5-19-76	M.H.
			D	REV PER ECN 5-3960	4-13-87	R.S.
			E	ADDED -5 PER NPR 2021	6-4-87	R.S. M.H.
			F	OBS. -5 PER ECN DFO694	7-15-88	T.W.
			G	REVISED PER OH14-0192-05	1-06	PY



- 1. THIS RECEPTACLE IS HERMETICALLY SEALED
- 2. MARK PER AMP SPEC. 118-36000 (WHITE INK)
- 3. PER FEDERAL STANDARD H-28 3 WIRE METHOD. DIMENSION OVER WIRES TO BE: .7474-.7654.
- 4. 861256-5 IS SAME AS 861256-1 EXCEPT IT REQUIRES SPECIAL PACKAGING.

AS SHOWN WITH TIN PLATED PIN & FLANGE	5-861256-1
AS SHOWN WITH TIN-LEAD PLATED PIN & FLANGE	861256-5
	861256-1
	PART NO

UNLESS OTHERWISE SPECIFIED DIMENSIONS ARE IN INCHES. TOLERANCES: .00 ±.02, .000 ±.010 ANGLES ±		CONTRACT NO	AMP INCORPORATED Elizabethtown, Pa.
MATERIAL MOLDED GLASS EPOXY		DR CHK APPD APPD	
FINISH BLACK		DSGN APPD OTHER APPD	NAME <b>RECEPTACLE, FLANGED LGH-2</b>
NEXT ASSY QTY REQD	FINAL ASSY APPLICATION		SIZE CODE IDENT NO NUMBER <b>C 00779 861256</b>
		SCALE 2:1	WT SHEET / OF

CUSTOMER DRAWING

AMP 1471-S (1-73)

UP-DATE