

4

3

2

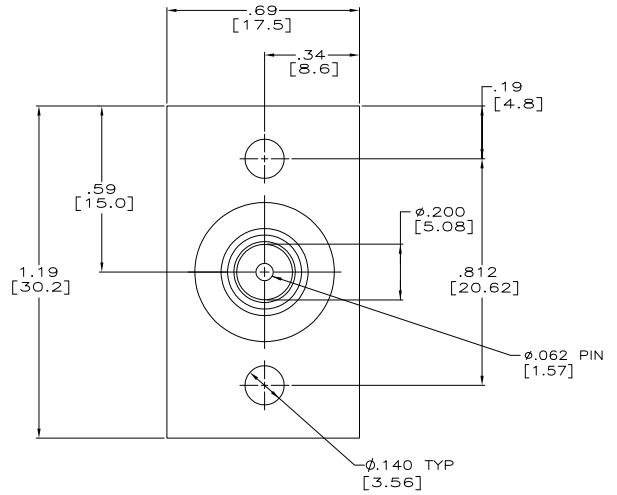
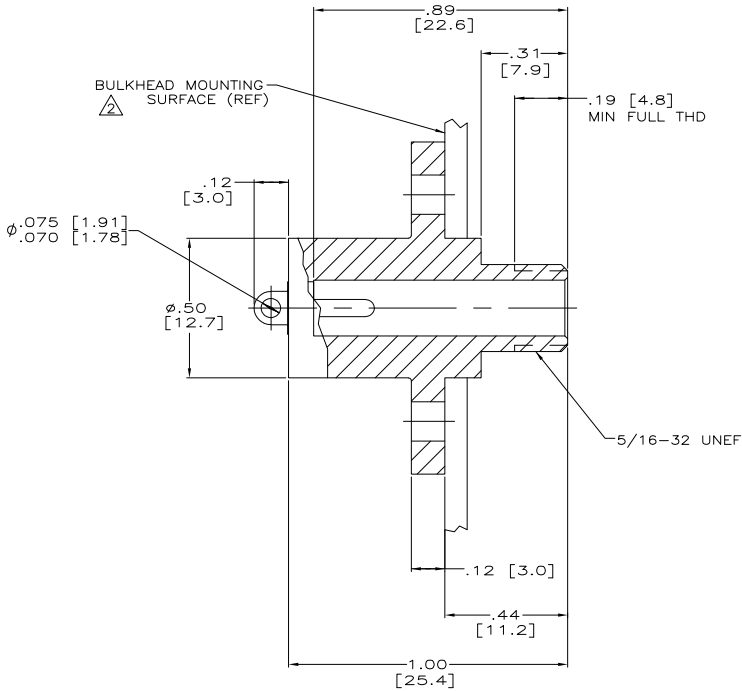
1

THIS DRAWING IS UNPUBLISHED. RELEASED FOR PUBLICATION
 © COPYRIGHT BY TYCO ELECTRONICS CORPORATION. ALL RIGHTS RESERVED.

LOC		DISTR		REVISIONS			
DF	S5	P	LTR	DESCRIPTION	DATE	MIN	APD
		G		REV PER 0H14-0191-05	05-05	AA	DE

1. RECEPTACLE TO MATE WITH AMP LGH-1/2L LEAD ASSY, AVAILABLE SEPARATELY.

⚠ IF BULKHEAD AND MOUNTING HARDWARE ARE METALLIC AND AT GROUND POTENTIAL, PROVISIONS MUST BE MADE TO PROTECT THE RECEPTACLE'S BACK-END AGAINST ARC-OVER AND BREAKDOWN.



TIN	5-858857-1
GOLD	858857-2
TIN-LEAD	858857-1
TERMINAL PLATING	PART NUMBER

THIS DRAWING IS A CONTROLLED DOCUMENT.		DR: C. THOMAS 29-AUG-96	Tyco Electronics Corporation Harrisburg, Pa 17105-3608	
DIMENSIONS: INCHES		OK: S. GLATFELTER 10-SEP-96	FLANGED RCPT ASSY LGH-1/2L	
MATERIAL: EPOXY MLDG CMPD COLOR: BLACK		APP: S. GLATFELTER 10-SEP-96	SIZE: A2	CHG CODE: 00779
FINISH: -		APPLIC: -	QTY: 8	REV: G
WEIGHT: B GRAMS MAX		PRODUCT SPEC: -	SCALE: 4:1	SHEET: 1 OF 1
CUSTOMER DRAWING		RESTRICTED TO: -	PART NUMBER: 858857	

AMP 1471-9 REV 31MM2000

858857

A