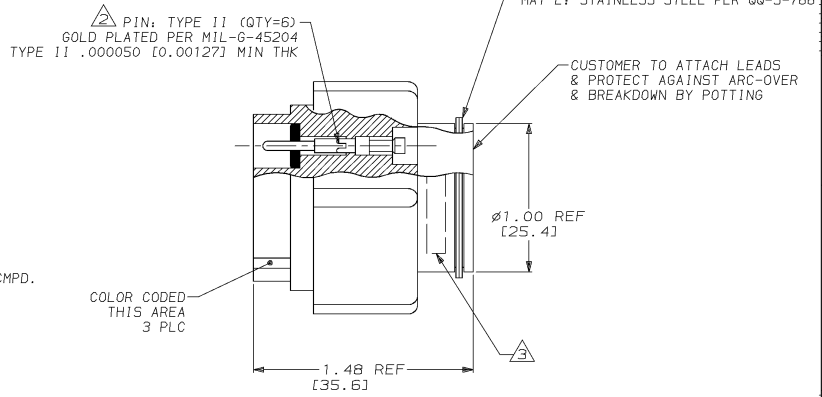
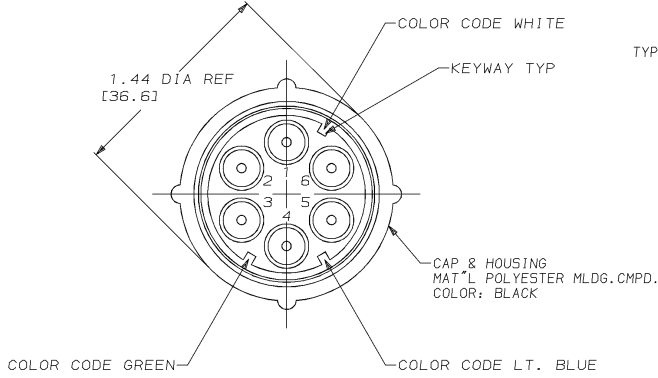


THIS DRAWING IS UNPUBLISHED. RELEASED FOR PUBLICATION, 19  
 © COPYRIGHT 19 BY AMP INCORPORATED. ALL INTERNATIONAL RIGHTS RESERVED.

REVISIONS									
PRD	LOC	DIST	P	F	ZONE	LTR	DESCRIPTION	DATE	APPD
4085	DF	50				B	REV & REDRAWN; 0600-3588-95 CT	3-95	CS



1. PLUG ASS'Y WILL WITHSTAND WITHOUT BREAKDOWN 27 KVDC PIN TO PIN & 27 KVDC PIN TO GROUND WHEN MATED WITH RECEPT.
2. TYPE II PINS TO ACCEPT (1) 20 AWG, (1) 22 AWG, OR (1) 24 AWG STRANDED WIRE. USE AMP HAND TOOL #45099.
3. MARKED PER MIL-STD-130 WITH WHITE INK (AMP INFO).
4. PLUGS AND PINS TO BE PACKAGED SEPARATELY.
5. TO REMOVE PINS USE EXTRACTION TOOL #861751-1.

155336	YES	20, 22, 24	868384-2
SUPERSEDED BY 868384-2	A166866	YES	20, 22, 24
CUST P/N	COLOR CODE	RANGE WIRE SIZE	PART NO.

DO NOT SCALE PRINT. UNLESS SPECIFIED DIMENSIONS IN INCHES [mm] TOLERANCES ON: 2 PLC DEC # - 3 PLC DEC # - ANGLES # -	DR 3-31-95 C.C. THOMAS CHK 3-31-95 C. SHELLY APPD 3-31-95 C. SHELLY	<b>AMP</b> AMP Incorporated Harrisburg, PA 17105-3608		
MATERIAL SEE CALLOUT	APPD 3-31-95 C.C. THOMAS PRODUCT SPEC -	NAME PLUG KIT, LGH, 6 POSN.		
FINISH SEE CALLOUT	APPLICATION SPEC -	SIZE C	CAGE CODE 00779	DRAWING NO C=868384
	WEIGHT -	SCALE 2:1	SHEET 1 OF 1	

THIS DRAWING IS A CONTROLLED DOCUMENT FOR AMP INCORPORATED. IT IS SUBJECT TO CHANGE AND THE CONTROLLING ENGINEERING ORGANIZATION SHOULD BE CONTACTED FOR THE LATEST REVISION.

AMP 1471-6 REV 3-92 31-MAR-95 10:47:33 amp16412 /auto/ws/med/c41/Lah

CUSTOMER DRAWING

868384