

4

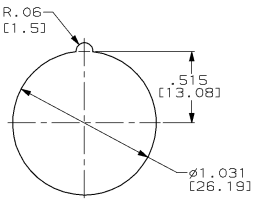
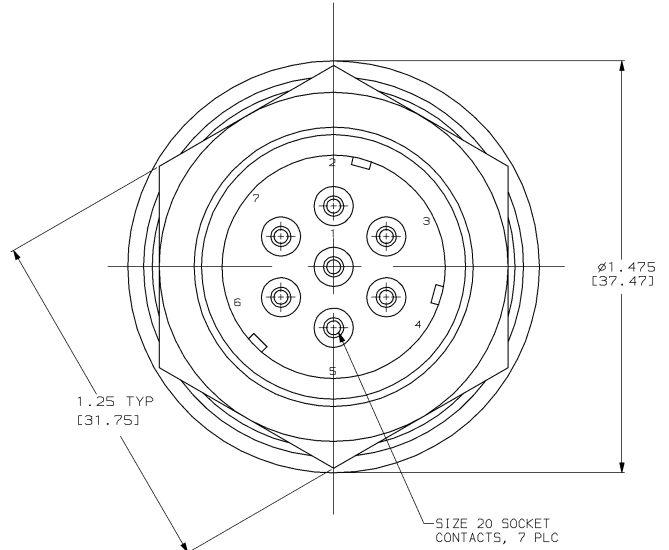
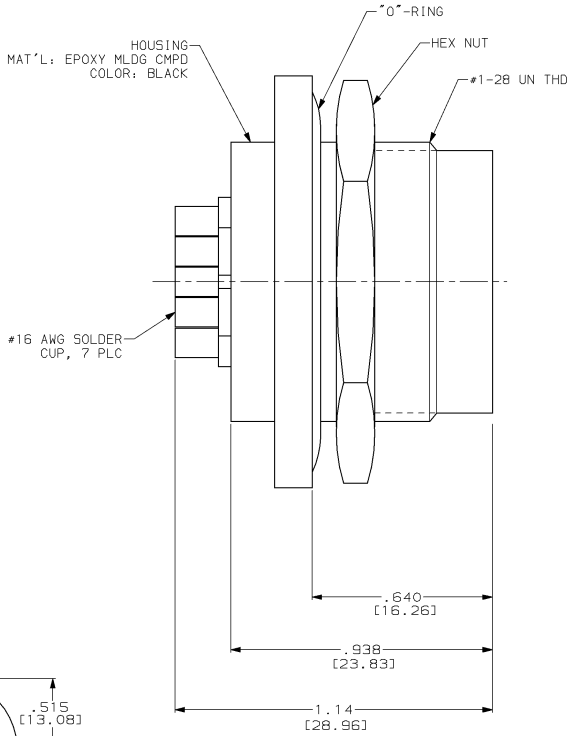
3

2

1

THIS DRAWING IS UNPUBLISHED. RELEASED FOR PUBLICATION BY AMP INCORPORATED. ALL RIGHTS RESERVED. COPYRIGHT 19

LOC		DIST		REVISIONS			
DF	SO	F	LWR	DESCRIPTION	DATE	OWN	APPD
		B		REDRAWN PER 0600-6253-97	CT	7-97	CT SG



RECOMMENDED PANEL CUTOUT
SCALE 2:1
MAX PANEL THICKNESS: .125 [3.18]

1. MARKED PER MIL-STD-130.

861999-1
PART NUMBER

THIS DRAWING IS A CONTROLLED DOCUMENT.		DN C. C. THOMAS 7-18-97	AMP Incorporated Harrisburg, PA 17105-3608
DIMENSIONS INCHES (mm)		CK S. GLATERLIER 9-4-97	
TOLERANCES UNLESS SPECIFIED		APPD S. GLATERLIER 9-4-97	NAME 7 PIN MINIATURE RCPT KIT, LGH
Ø PLC ±.010 [0.25]	PLC ±.010 [0.25]	PRODUCT SPEC	SIZE A2 00779
PLC ±.010 [0.25]	PLC ±.010 [0.25]	APPLICATION SPEC	CAGE CODE 861999
PLC ±.010 [0.25]	PLC ±.010 [0.25]	ANGLE ±.010 [0.25]	DRAWING NO 861999
SEE CALLOUTS	SEE CALLOUTS	MATERIAL	SCALE 4:1
SEE CALLOUTS	SEE CALLOUTS	FINISH	SHEET 1 OF 1
CUSTOMER DRAWING		REV	REV B