

4

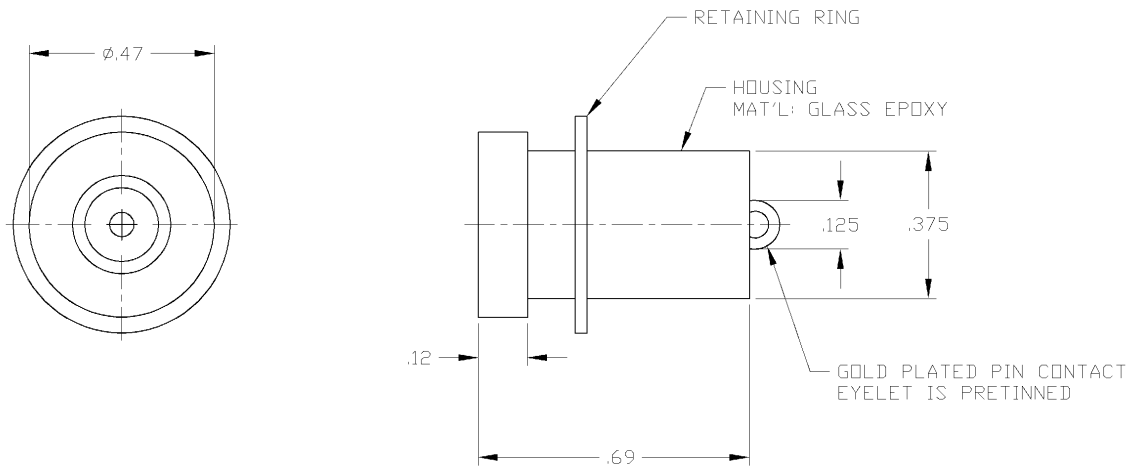
3

2

1

THIS DRAWING IS UNPUBLISHED. RELEASED FOR PUBLICATION
 © COPYRIGHT BY TYCO ELECTRONICS CORPORATION. ALL RIGHTS RESERVED.

LOC		DIST		REVISIONS			
P	LTR	DESCRIPTION		DATE	DWN	APVD	
	C	REV PER 0G3D-0255-01		3-02	CT	DE	



1. IF BULKHEAD AND MOUNTING HARDWARE ARE METALLIC AND AT GROUND POTENTIAL PROVISIONS MUST BE MADE TO PROTECT THE RECEPTACLE BACK END AGAINST ARC OVER AND BREAKDOWN.

859111-1
PART NO.

THIS DRAWING IS A CONTROLLED DOCUMENT.		DWN C.C.THOMAS 28MAR2002	tyco Electronics		Tyco Electronics Corporation Harrisburg, Pa 17105-3608
DIMENSIONS: INCHES		CHK D.EABY 3-27-02	NAME		
TOLERANCES UNLESS OTHERWISE SPECIFIED:		APVD D.FARY 3-27-02	PIN AND BUSHING ASSEMBLY, LGH		
0 PLC ± -		PRODUCT SPEC			
1 PLC ± -		APPLICATION SPEC			
2 PLC ± .02		SIZE			
3 PLC ± .010		CAGE CODE			
4 PLC ± -		DRAWING NO			
ANGLES ± -		RESTRICTED TO			
MATERIAL	FINISH	WEIGHT	A3100779	C-859111	
CUSTOMER DRAWING			SCALE 4:1	SHEET 1 OF 1	REV C

AMP 1470-19 REV 31MAR2000

26MAR2002 10:27am AMP16412

H:\docmod\859111_1_c.dwg