

DRAWING MADE IN THIRD ANGLE PROJECTION

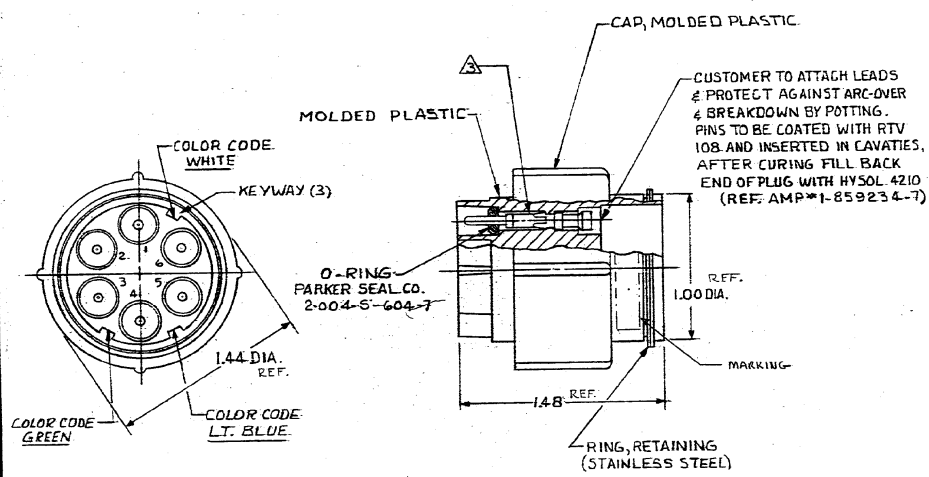
3

2

LOC DIST  
DF 50

THIS DRAWING IS UNPUBLISHED. RELEASED FOR PUBLICATION  
 COPYRIGHT IS BY AMP INCORPORATED, HARRISBURG, PA. ALL INTERNATIONAL RIGHTS RESERVED. AMP PRODUCTS MAY BE COVERED BY U.S. AND FOREIGN PATENTS AND/OR PATENTS PENDING.

REVISIONS				
P	F	Z	DATE	APPROVED
E				
E			8/17/82	J.W.
F			11-58	R.S.
			11-87	T.W.



1. PLUG ASSY. WILL WITHSTAND WITHOUT BREAK DOWN. 27 KVDC PIN TO PIN & 27 KVDC PIN TO GRD. WHEN MATED WITH RECEPTACLE 859527-1.
2. MARKING TO BE WHITE:  
 ⚠ #16 GA. PINS GOLD PLATED PER MIL-G-45204-TYPE II .00050 MIN. THK.
4. PLUG & PINS TO BE SHIPPED SEPARATELY:  
 ⚠ TYPE II PINS TO ACCEPT ONE (1) #22-24-OR #20 AWG STRANDED WIRE  
 ⚠ TYPE II PINS TO ACCEPT ONE (1) #16 AWG OR (1) 18 AWG STRANDED WIRE
7. TO REMOVE PINS USE EXTRACTION TOOL #861751-1  
 ⚠ TYPE II PINS TO ACCEPT ONE (1) 14-AWG STANDARD WIRE.  
 ⚠ PART NO. OBSOLETE

AMP PART NO.	WIRE SIZE RANGE	HAND TOOL	COLOR CODING
860267-1	20, 22, 24	45099	YES
860267-2	16, 18	45098	YES
860267-3	14	45098	YES
860267-4	20, 22, 24	45099	NO
860267-5	16, 18	45098	NO
860267-6	14	45098	NO

UNLESS OTHERWISE SPECIFIED DIMENSIONS ARE IN INCHES. TOLERANCES ON: DECIMALS .00 ± .01 FRACTIONS ± .015		CONTRACT NO DR 860267 8/17/82		AMP INCORPORATED Harrisburg, Pa. 17105	
MATERIAL		CHK		NAME PLUG ASS'Y, H.V. 6 PIN LGH	
FINISH BLACK		APPD J.W. 8/21/82		DRAWING NO 860267	
OTHER APPD		DSGN APPD		SIZE C	
SCALE NTS		FSCM NO 00779		SHEET 1/1	

CUSTOMER DRAWING

AMP 1471-6 REV 2-01