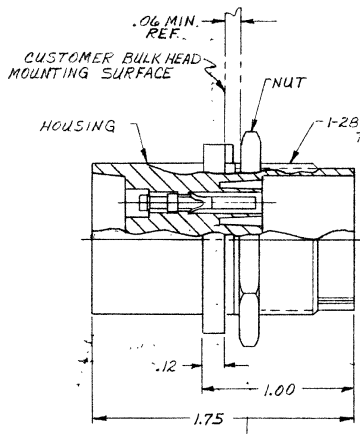


DRAWING MADE IN AMERICAN PROJECTION

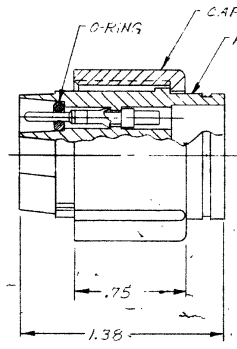
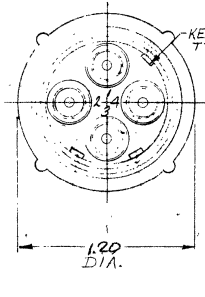
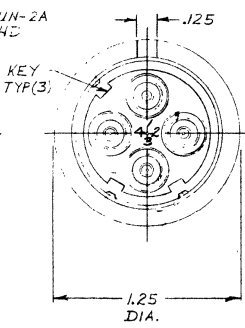
© 1964 BY AMP INCORPORATED. ALL RIGHTS RESERVED. AMP PRODUCTS COVERED BY PATENTS AND/OR PATENTS PENDING.

THIS PRODUCT DESIGNED AND BUILT BY AMP INCORPORATED. NO LICENSE TO USE THIS DESIGN IN MANUFACTURE, OR TO USE ANY ISSUED OR PENDING PATENTS WHICH ARE INVOLVED, IS IMPLIED.

REVISIONS				
ZONE	LTR	DESCRIPTION	DATE	APPROVED
B-3	A	REV. DWG 859526 WAS -1-2-	7/20/77	JJ.G.
B-3	B	REV. PFA 0414-120-04	10-07	CT



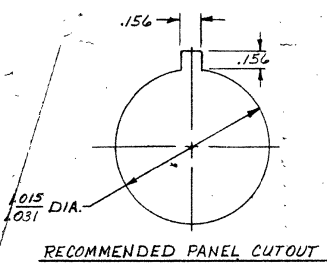
RECEPTACLE



PLUG

AMP P/N	RECEPTACLE	PLUG	WIRE SIZE RANGE	HAND TOOL
863017-1	859526-4	863077-1	20, 22, 24	45093
863017-2	859526-5	863077-2	18, 16	45098
863017-3	859526-6	863077-3	14	45093

NOTE:
 1. PINS & SOCKETS SUPPLIED SEPARATELY IN PLASTIC BAG.
 2. TYPE II PINS (SOCKETS TO ACCEPT ONE (1) 20 AWG, (1) 22 AWG, OR (1) 24 AWG STRANDED WIRE.
 3. TYPE II PINS (SOCKETS TO ACCEPT ONE (1) 16 AWG, (1) 18 AWG, (1) 18 AWG STRANDED WIRE.
 4. TYPE II PINS (SOCKETS TO ACCEPT ONE (1) 14 AWG STRANDED WIRE.



UNLESS OTHERWISE SPECIFIED: DIMENSIONS ARE IN INCHES TOLERANCES	CONTRACT NO.	AMP AMP INCORPORATED CAPITON DIVISION ELIZABETHTOWN, PENNSYLVANIA	
.00 = ±	DR DICK STONE 3-1-76	NAME 4 PIN PLUG & RECEPTACLE KIT	
.000 = ±	CHK	SIZE C	
MATERIAL: MOLDED PLASTIC	APPD D. Stone 3-1-76	CODE IDENT NO. 00779	NUMBER 863017
FINISH: BLACK	DSGN APPD	SCALE 2-1	
OTHER APPD	OTHER APPD	SHEET 1/2	

CUSTOMER DRAWING